

METRO ILLUMINATED

903352FBN-LIA

METRO ILLUMINATED 52" LED FAN

| DETAILS | |
|---------------|----------------|
| FAN FINISH: | Brushed Nickel |
| GLASS: | Etched Opal |
| BLADE COUNT: | 5 |
| SLOPE DEGREE: | 20 |

| DIMENSIONS | |
|------------|-------|
| WIDTH: | 52" |
| HEIGHT: | 14.8" |

| LIGHT SOURCE | |
|--------------|----------------|
| LED NAME: | (2) E900460LED |
| VOLTAGE: | 120v |
| LUMENS: | 1620 |
| CRI: | 90 |

| MOUNTING | |
|------------|---------|
| CANOPY: | 6" Dia. |
| LEAD WIRE: | 1 x 76" |

| SHIPPING | |
|----------------|------|
| CARTON LENGTH: | 23.2 |
| CARTON WIDTH: | 13.4 |
| CARTON HEIGHT: | 10.3 |



Metro Illuminated evokes a sense of timeless tradition to interiors of all styles. Metro Illuminated is available in Brushed Nickel with Silver or Matte Black blades, Chalk White with Chalk White or Weathered Wood blades, Matte Black with Matte Black or Walnut blades, Metallic Matte Bronze with Metallic Matte Bronze or Walnut blades. Metro Illuminated features an LED lamps and is part of the Regency Collection.

PRODUCT DETAILS:

- Can be hung on a sloped ceiling
- This item includes a 4.5" down rod (other lengths of down rods are available)
- Dry Rated
- Control your fan's power, light, speed, direction, and so much more from the Hinkley Home Automation app
- Pull chain manual reverse, accessory controls available
- Reversible blades included; two finishes allow for easily customizable style
- Part of the Regency Series of traditional ceiling fans designed to enhance a wide variety of spaces with versatile designs and classic finishes
- Dual Mount design can hung directly to the canopy or with an included downrod

HINKLEY

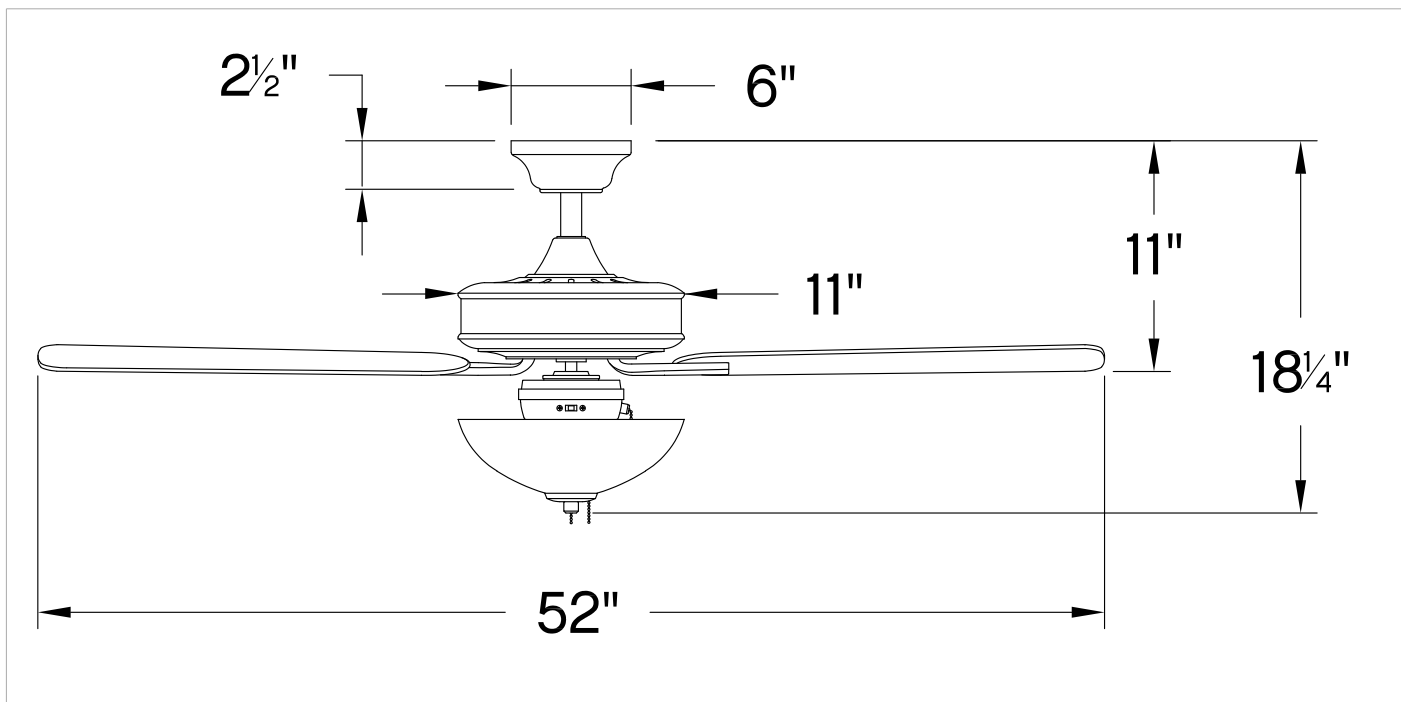
HINKLEY
33000 Pin Oak Parkway
Avon Lake, OH 44012

PHONE: (440) 653-5500
Toll Free: 1 (800) 446-5539

hinkley.com

METRO ILLUMINATED 52" LED FAN

903352FBN-LIA



| PERFORMANCE SPECIFICATIONS | STANDARD | | DUAL MOUNT | |
|----------------------------|------------|---------------|------------|---------------|
| | HIGH SPEED | AVERAGE SPEED | HIGH SPEED | AVERAGE SPEED |
| Airflow | 4577 | 3427 | 4443 | 3196 |
| EnergyUse | 58.3 | 36 | 61.8 | 38 |
| EnergyCost | 16 | 10 | 17 | 11 |
| Efficiency | 79 | 88 | 71.9 | 84 |
| AMPS | 0.5 | 0.36 | 0.52 | 0.38 |
| RPMS | 154 | 105 | 162 | 36 |

HINKLEY

HINKLEY
33000 Pin Oak Parkway
Avon Lake, OH 44012

PHONE: (440) 653-5500
Toll Free: 1 (800) 446-5539

hinkley.com