

ASSEMBLY INSTRUCTION

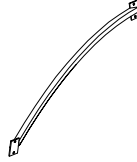
RECTANGULAR DINING TABLE

A Table Top



1 PC

B Lower Connecting Rod



1 PC

C Upper Connecting Rod



1 PC

D Rail



4 PCS

E Leg



4 PCS

F Long Bolt

1/4" x 1"



8 PCS

G Bolt

1/4" x 3/4"



25 PCS

H Spring Washer

1/4"



33 PCS

I Flat Washer

1/4"



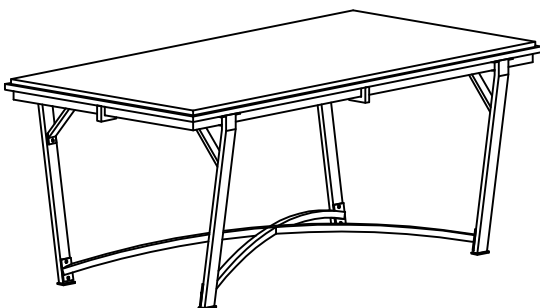
33 PCS

J Allen Key

M4



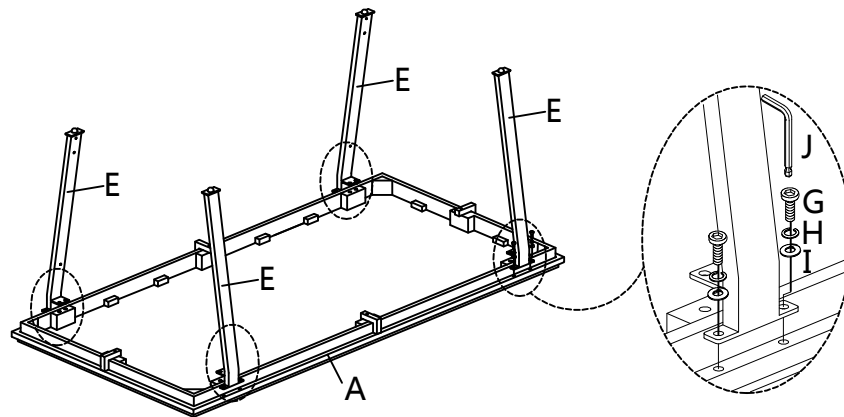
1 PC



This page lists all the contents included in the box. Please take the time to identify the hardware as well as the individual components to this product. As you unpack and prepare for assembly, place the contents on a carpeted or padded area to protect them from damage.

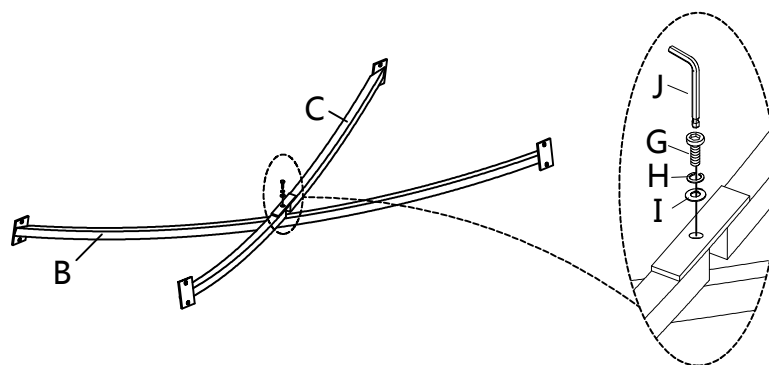
- 1** Attach Leg (E) to the bottom of Table Top (A) using Bolt (G), Spring Washer (H), Flat Washer (I) with Allen Key (J).

Note: At this step, do not fully tighten the bolts.



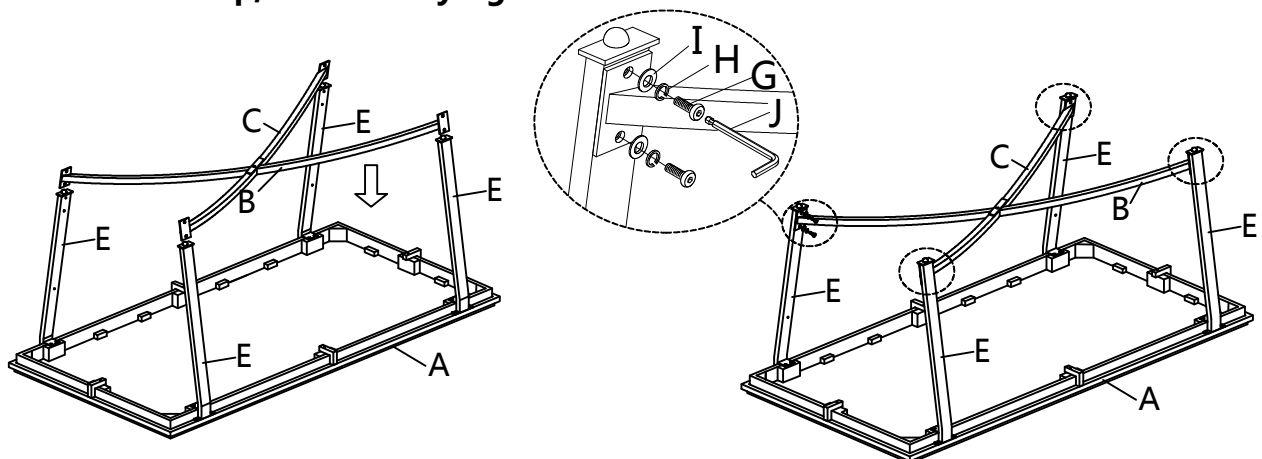
- 2** Attach Upper Connecting Rod (C) to Lower Connecting Rod (B) using Bolt (G), Spring Washer (H), Flat Washer (I) with Allen Key (J).

Note: At this step, do not fully tighten the bolts.

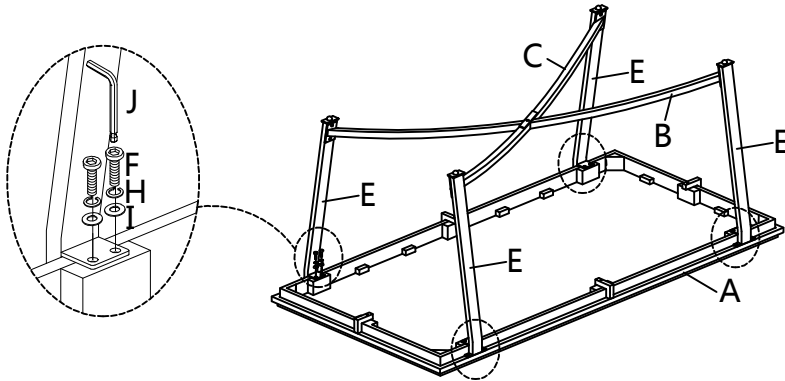


- 3** Attach Lower Connecting Rod (B) and Upper Connecting Rod (C) to Leg (E) using Bolt (G), Spring Washer (H), Flat Washer (I) with Allen Key (J).

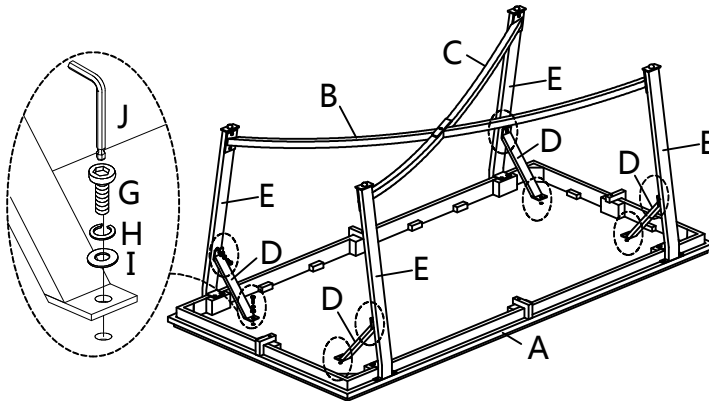
Note: At this step, do not fully tighten the bolts.



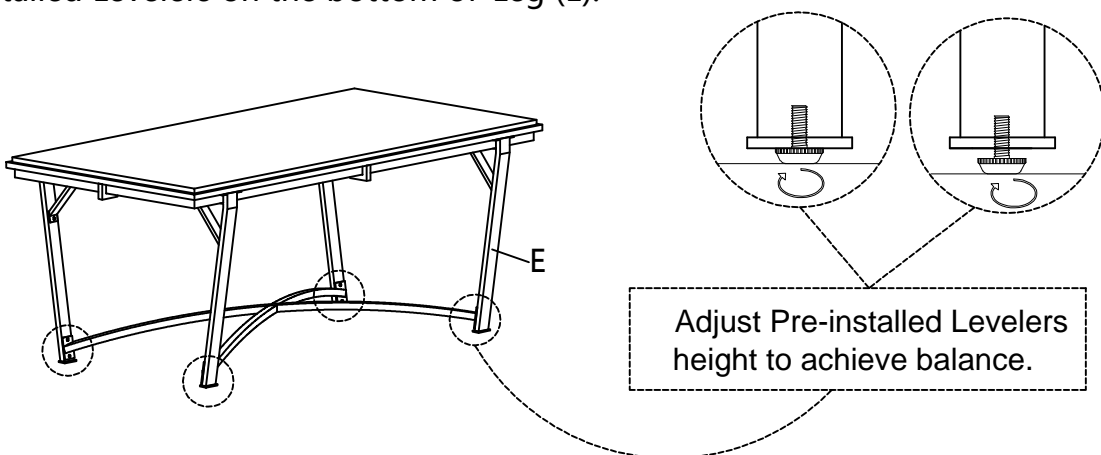
- 4** Use Long Bolt (F), Spring Washer (H), Flat Washer (I) with Allen Key (J) to fix Leg (E) and Table Top (A).
Note: At this step, do not fully tighten the bolts.



- 5** Attach Rail (D) to Leg (E) and Table Top (A) using Bolt (G), Spring Washer (H), Flat Washer (I) with Allen Key (J).
Note: At this step, fully tighten all bolts at all joints in a sequential manner.



- 6** With assistance from your adult partners, turn the Table right way up. Adjust the Pre-installed Levelers on the bottom of Leg (E).



Cleaning & Care

Treat surface with care. Surface is resistant to scratches but is not scratch resistant. Clean surfaces with a dry or damp soft cloth. Do not use abrasive cleaners. Hardware may loosen over time. Periodically check that all connections are tight.