



GUARD+®

60" x 36" shower base, center drain
95080

Features

- Low-threshold design for easy entry and exit
- Full-length water-containment guard and weep channels redirect water into the base, providing four-sided water containment
- Single threshold for alcove installation
- Molded-in textured floor
- Three-sided integral flange

Material

- Acrylic

Installation

- Center drain
- Alcove
- Tile-down installation only

Recommended Products/Accessories

K-23726 Drain treatment
K-9132 Shower Drain



Codes/Standards

CSA B45.5/IAPMO Z124
ASTM E162
ASTM E662


STERLING® Vikrell® or Acrylic Baths and Shower Bases Ten-Year Limited Warranty

See website for detailed warranty information.

Available Colors/Finishes

Color tiles intended for reference only.

Color	Code	Description
-------	------	-------------

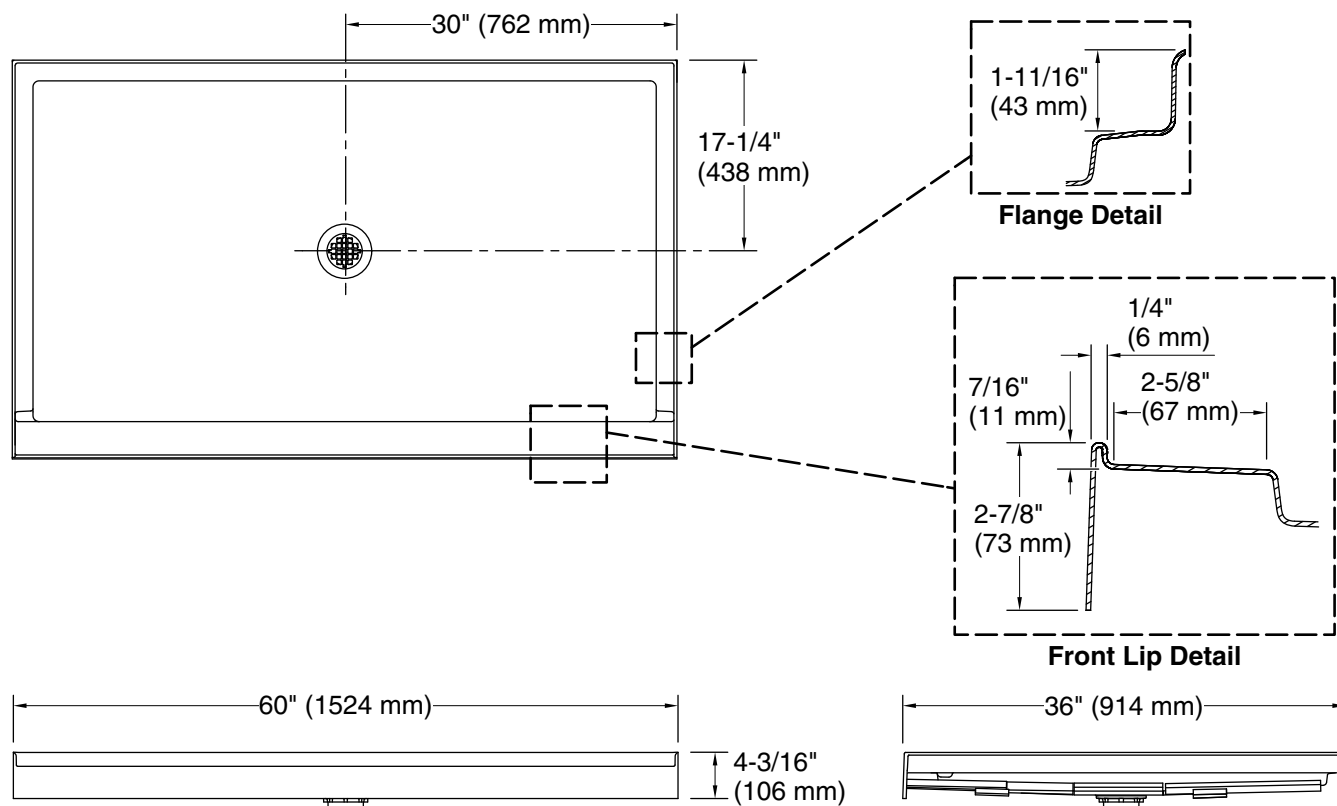
	0	White
---	---	-------

1-800-STERLING (1-800-783-7546)

Kohler Co. reserves the right to make revisions without notice to product specifications.

For the most current Specification Sheet, go to www.sterlingplumbing.com.

3-31-2026 20:40 - US/CA



Technical Information

All product dimensions are nominal.

Drain location:	Center
Weight:	48.5 lbs (22 kg)
Minimum flat for door:	2-5/8" (67 mm)

Notes

Install this product according to the installation instructions.

Subfloor must be within 1/2" (13 mm) of level.

This receptor has a front lip. This should be taken into account when installing a shower door.

Measure your actual product for rough-in details. If roughing-in prior to having product, stud opening to be 1/2" (12.7 mm) larger than product dimension.