

This drawing is the property of Rev-A-Shelf (RAS) and is disclosed in confidence to the extent its subject matter is original to RAS. Any vendor receiving this drawing from RAS shall hold and use this drawing for the sole benefit of RAS and shall not disclose it to, or use or reproduce it for any third party, or perform any act adverse to the interest of RAS with respect to this drawing without the express written permission of RAS. Vendors shall not revise any physical, dimensional or performance characteristic unless authorized by Rev-A-Shelf Engineering.

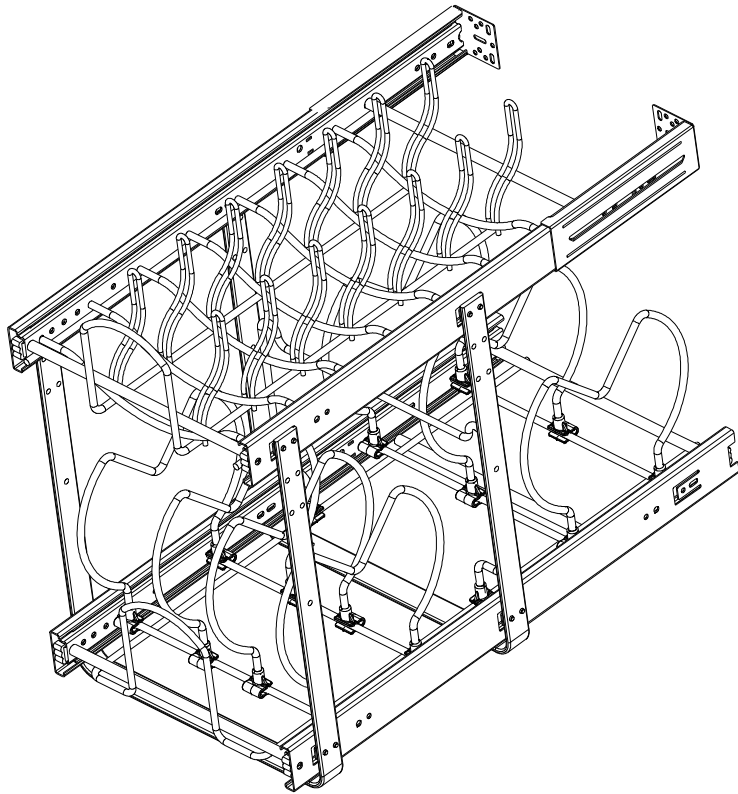
CUSTOMER DRAWING

REV.	DATE	BY	DESCRIPTION OF CHANGE
H	3-12-19	KRR	ECN19-017
G	9-25-18	KRR	ECN18-056
F	12-01-14	KRR	ECN14-096
E	8-19-14	KRR	ECN14-067

INCH [MM]	AMERICAN PROJECTION	BY	DATE	REV-A-SHELF [®] , Inc.
		DRAWN	BT 6/16/08	
MATERIAL				SIZE
FINISH				DRAWING NO.
MATERIAL				PART NO.
FINISH				SHEET OF
MATERIAL				SCALE
FINISH				0.188
MATERIAL				CW1222
FINISH				1 OF 2

TOLERANCES
 (WOOD) .XX ±.03 [8mm]
 (OTHER) .XX ±.02 [5mm]
 (ALL) .XXX ±.005 [1.3mm]
 FRACTIONS ±1/32 [8mm]

ANGLES
 ±1/2°



PART DIMENSIONS		
	MIN	MAX
WIDTH	11.60	
DEPTH	21.75	24.00
HEIGHT	15.25	18.00
WEIGHT		
DIAMETER		
RADIUS		
CONTAINER CAPACITY		
CONTAINER UOM		

MIN CABINET OPENING	
WIDTH	11 1/2"
DEPTH	21.75
HEIGHT AT TOP HOLE	22.00 *
HEIGHT AT LOWEST HOLE	19.25 *

* - TO ALLOW CLEARANCE FOR LIDS

PRODUCT MAX WEIGHT RATING

SLIDE SPECIFICATIONS				
SLIDE TYPE	BALL BEARING	SLIDE EXTENSION	FE	MAX WEIGHT RATING
SLIDE CLOSING	NORMAL	SLIDE LENGTH	21.65" [550]	
SLIDE MOUNTING	SIDE	SLIDE FINISH	ZINC	
				100LB

CUSTOMER DRAWING

This drawing is the property of Rev-A-Shelf (RAS) and is disclosed in confidence to the extent its subject matter is original to RAS. Any vendor receiving this drawing from RAS shall hold and use this drawing for the sole benefit of RAS and shall not disclose it to, or use or reproduce it for any third party, or perform any act adverse to the interest of RAS with respect to this drawing without the express written permission of RAS. Vendors shall not revise any physical, dimensional or performance characteristic unless authorized by Rev-A-Shelf Engineering.

REV.	DATE	BY	DESCRIPTION OF CHANGE
H	3-12-19	KRR	ECN19-017
G	9-25-18	KRR	ECN18-056
F	12-01-14	KRR	ECN14-096
E	8-19-14	KRR	ECN14-067

INCH [MM]	AMERICAN PROJECTION	BY	DATE	REV-A-SHELF, Inc.
		DRAWN	BKT 8/18/11	
MATERIAL				SIZE
FINISH				DRAWING NO.
MATERIAL				PART NO.
FINISH				SHEET
MATERIAL				SCALE
FINISH				OF
MATERIAL				2

TOLERANCES
 (WOOD) .XX ±.03 [8mm]
 (OTHER) .XX ±.02 [5mm]
 (ALL) .XXX ±.005 [1.3mm]
 FRACTIONS ±1/32 [8mm]

ANGLES ±1/2°

CW1222.CUSTOMER
 CW1222
 0.250
 2 OF 2