

# ZLINE

ATTAINABLE LUXURY<sup>®</sup>



User Guide and Installation Manual

## **MICROWAVE DRAWER**






# ZLINE

ATTAINABLE LUXURY®

ZLINE Kitchen and Bath provides Attainable Luxury, where the kitchen and bath of your dreams is never out of reach. Through our unique designs and unparalleled quality, we're dedicated to providing you an elevated experience in the heart of your home. With an endless selection of features and finishes, our inspiration is your reality.

ZLINE is fueled by a passion for innovation; A relentless pursuit of bringing the highest end luxury designs and professional features into everyone's homes. Because we continually strive to improve our products, we may change specifications and designs without prior notice.

 **WARNING:** This product can expose you to chemicals including nickel, which is known to the State of California to cause cancer. For more information, go to [www.P65Warnings.ca.gov](http://www.P65Warnings.ca.gov).

# WARRANTY

## COVERAGE

ZLINE Kitchen and Bath microwave parts will be warrantied for two years from the original purchase date for the original purchaser of the product.

## TERMS

This warranty applies only to the original purchaser of the product installed for normal residential use. This is defined as a single-family, residential dwelling in a non-commercial setting. Commercial settings include but are not limited to: schools, churches, hotels, restaurants, vacation rentals such as Airbnb, day care centers, private clubs, fire stations, common areas in multi-family dwellings, nursing homes, food service locations, and institutional food service locations such as hospitals or correction facilities. This warranty is non-transferable and will not be extended based on the date of installation. The warranty applies only to products installed in the contiguous United States and the District of Columbia. Warranty shall not apply and ZLINE Kitchen and Bath is not responsible for damage resulting from negligence, improper maintenance, misuse, abuse, alteration of or tampering with the appliance, accident, natural disaster, improper electric supply, unauthorized service or repair, improper installation, or installation not in accordance with the instructions contained in the manual or the local codes.

## WHAT IS NOT COVERED

1. Installation or start-up damages or problems caused by improper installation or use.
2. Damage related to unauthorized service or unauthorized parts.
3. Installation in any commercial or non-residential application.
4. Aesthetic damage, scratches, or natural wear caused by normal use.
5. Second-hand, open box products, or products purchased from an unauthorized retailer.

# TABLE OF CONTENTS

SAFETY INSTRUCTIONS	1
BEFORE INSTALLATION	5
INSTALLATION	10
TRIM KIT INSTALLATION	13
24" OPERATION	20
30" OPERATION	26
TROUBLESHOOTING	32

# SAFETY INSTRUCTIONS



- Installation and service must be performed by a qualified installer. The oven should not be adjusted or repaired by anyone except properly qualified service personnel.
- **IMPORTANT:** Save this installation manual for local electrical inspector's use.
- Read and save these instructions for future reference.
- This device complies with part 18 of the FCC Rules
- Do not attempt to operate this oven with the door open since open-door operation can result in harmful exposure to microwave energy. It is important not to defeat or tamper with the safety interlocks.
- Do not place any object between the oven front face and the door or allows soil or cleaner residue to accumulate on sealing surfaces.
- Do not operate the oven if it is damaged. It is particularly important that the oven door closes properly and that there is no damage to the:
  - Door (bent)
  - Hinges and latches (broken or loosened)
  - Door seals and sealing surfaces
- When using electrical appliances, basic safety precautions should be followed.
- To reduce the risk of burns, electric shock, fire, personal injury, or exposure to excessive microwave energy, read all instructions before using the appliance.
- This appliance must be grounded or connected to a properly grounded outlet.
- Install this appliance only in accordance with the provided installation instructions.
- Some products such as whole eggs and sealed containers (i.e. closed glass jars) should not be heated in this oven.

# SAFETY INSTRUCTIONS

- Use this appliance only for its intended use as described in the manual. Do not use corrosive chemicals or vapors in this appliance. This type of oven is specifically designed to heat, cook, or dry food.
- As with any appliance, close supervision is necessary when used by children.
- Do not operate this appliance if it has a damaged cord or plug, if it is not working properly, or if the entire unit has been damaged.
- Do not cover or block any openings on the appliance.
- Do not immerse cord or plug in water.
- Keep cord away from heated surface.
- Do not let cord hang over edge of table or counter.
- Do not use paper products when appliance is operated in the toaster mode.
- Do not store this appliance outdoors. Do not use this product near water - for example, near a kitchen sink, in a wet basement, near a swimming pool, or similar locations.
- When cleaning surfaces of door and oven that comes together on closing the door, use only mild, nonabrasive soaps, or detergents applied with a sponge or soft cloth. Do not clean with metal scouring pads. Pieces can burn off the pad and touch electrical parts involving a risk of electric shock.

# SAFETY INSTRUCTIONS

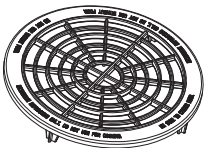
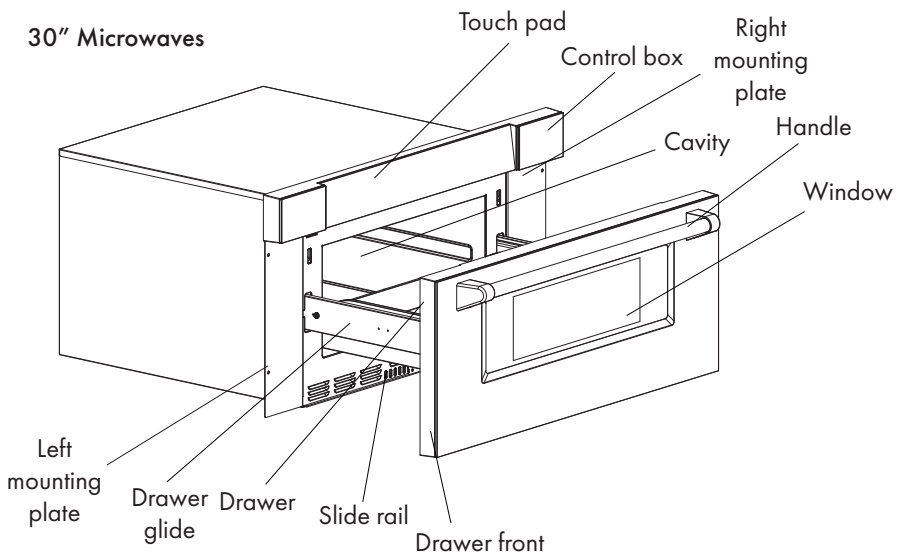
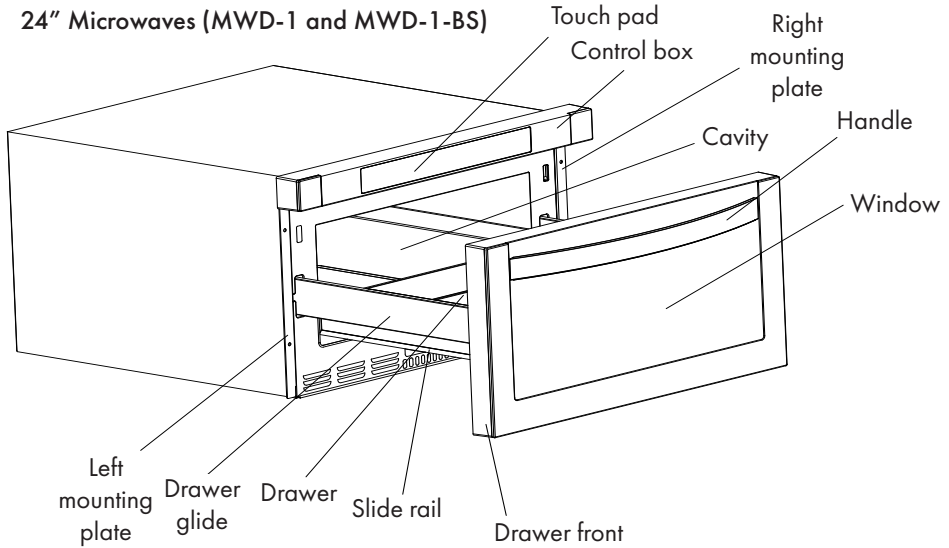
- To reduce the risk of fire in the oven cavity:
  - Do not overcook food. Carefully attend appliance when paper, plastic, or other combustible materials are placed inside the oven to facilitate cooking.
  - Remove wire twist-ties from paper or plastic bag before placing bag in oven.
  - If material inside of the oven ignites, keep oven door closed, turn oven off, and disconnect the power cord, or shut off power at the fuse or circuit breaker panel.
  - Do not use the cavity for storage purposes. Do not leave paper products, cooking utensils, or food in the cavity when not in use. Do not store any materials, other than manufacturer's recommended accessories, in this oven when not in use.
- Liquids, such as water, coffee, or tea are able to be overheated beyond the boiling point without appearing to be boiling.
- Visible bubbling or boiling when the container is removed from the microwave oven is not always present. This could result in very hot liquid suddenly boiling over when the container is disturbed.
- To reduce the risk of injury to persons:
  - Do not overheat liquid.
  - Stir the liquid before and halfway through heating it.
  - Do not use straight sided containers with narrow necks.
  - After heating, allow the container to stand in the microwave oven for a short time before removing the container.
  - Use extreme care when inserting a spoon or other utensils into the container.

# SAFETY INSTRUCTIONS

- Oversized food or oversized metal utensils should not be inserted in a microwave oven as they may create a fire or risk of electric shock.
- Do not cover racks or any other part of the oven with metal foil. This will cause over-heating of the oven.
- Do not use the microwave if the cavity is empty.

# BEFORE INSTALLATION

Remove the oven and all materials from the carton and oven cavity. Your oven comes with the following accessories:



**NOTE:** Defrosting Rack should only be used in defrosting function and not used for cooking. Do not use without food.

# BEFORE INSTALLATION

Product Specifications		
	24"	30"
Rated Voltage	120V, 60 Hz, 13A	120V, 60 Hz, 13A
Rated Input Power	1500W	1500W
Rated Output Power	1000W	1000W
Oven Capacity	1.2 Cu. Ft.	1.2 Cu. Ft.
External Dimensions	23 1/2"W x 14 7/8"H x 23 5/8"D	29 7/8"W x 15 15/16"H x 24 3/16"D
Internal Dimensions	16"W x 7"H x 16 D"	16"W x 7"H x 16 D"
Net Weight	Approx 69.9 Lbs.	Approx 76.2 Lbs.

The maximum weight of food placed in the microwave should not exceed 11 lbs and the height should not exceed 5.7"

## MODEL AND SERIAL NUMBER LOCATION

To locate the model and serial number, open the microwave drawer fully. The label can be found beyond the back wall of the microwave cavity, facing up from the flat surface.



# BEFORE INSTALLATION



## ELECTRICAL CONNECTION

- This appliance must be grounded. In the event of an electrical short circuit, grounding reduces the risk of electric shock by providing an escape wire for the electric current. This appliance is equipped with a cord having a grounding wire with a grounding plug. The plug must be plugged into an outlet that is properly installed and grounded.
- Improper use of the grounding can result in a risk of electric shock.
- Consult a qualified electrician or serviceman if the grounding instructions are not completely understood, or if doubt exists as to whether the appliance is properly grounded. If it is necessary to use an extension cord, use only a 3-wire extension cord that has a 3-blade grounded plug, and 3-slot receptacle that will accept the plug on the appliance. The marked rating of the extension cord shall be equal to or greater than the electrical rating of the appliance.
- Touching some of the internal components can cause serious personal injury or death. Do not disassemble this appliance. Improper use of the grounding can result in electric shock. Do not plug into an outlet until appliance is properly installed and grounded.
- A short power-supply cord is provided to reduce the risks resulting from becoming entangled in or tripping over a longer cord.
- Longer cord sets or extension cords may be used if care is exercised in their use. **We do not recommend using one.**
- If a long cord or extension cord is used:
  - The marked electrical rating of the cord set or extension cord should be at least as great as the electrical rating of the appliance.
  - The extension cord must be a ground-type-3-wire cord.
  - The longer cord should be arranged so that it will not drape over the counter top or tabletop where it can be pulled on by children or tripped over unintentionally.

# BEFORE INSTALLATION



## CLEARANCES AND DIMENSIONS NOTICE

For safety considerations, do not install drawer in any combustible cabinetry, which is not in accordance with the stated clearances.

## UNPACKING YOUR MICROWAVE DRAWER

Remove all packing materials from inside the microwave drawer. **DO NOT REMOVE THE WAVEGUIDE COVER**, located on the top of the microwave drawer. Remove the feature sticker, if there is one. Check the drawer for any damage, such as misaligned or bent drawer, damaged drawer seals and sealing surfaces, broken or loose drawer guides, and dents inside the cavity or on the front side of the drawer. If there is any damage, do not operate the microwave drawer and contact your dealer or ZLINE.

## IMPORTANT NOTES TO THE INSTALLER

Read the entire installation portion of the manual before installing the microwave drawer. Remove all packing materials before connecting the electrical supply. Observe all governing codes and ordinances. Be sure to leave these instructions with the consumer.

## IMPORTANT NOTES TO THE CONSUMER

Keep this manual for the future reference. With use of any heat generating microwave oven, there are certain safety precautions you should follow. These are listed in the operation portion of the manual. Read all and follow carefully. Be sure your microwave drawer is installed and grounded properly by a qualified installer or service technician.

## IMPORTANT SAFETY INSTRUCTIONS

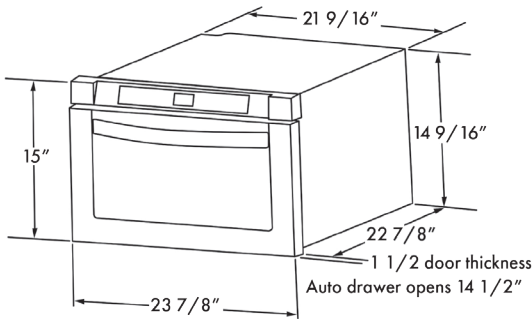
Fire or electrical shock resulting in property damage, personal injury or death may occur if the information in this manual is not followed exactly. To reduce the risk of tipping, the microwave drawer must be secured with a properly installed Anti-Tip block. This microwave drawer must be electrically grounded in accordance with local codes. Make sure any wall coverings and/or cabinets around the microwave drawer can withstand the heat generated by the microwave drawer. Never leave the drawer open when the microwave is unattended. Stepping, leaning, or sitting on the drawer may result in serious injuries and may also cause damage to the microwave.

# INSTALLATION

## INSTALLATION NOTICES

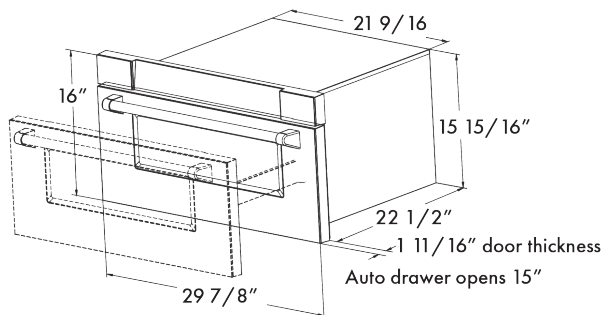
Dimensions that are shown in the figures must be used. Given dimensions provide minimum clearance. Locate electrical outlet in the shaded area in the upper left-hand corner of the cutout.

- Contact surface must be solid and level. Pay special attention to the floor on which the Microwave Drawer will sit. The floor of the opening should be constructed of plywood strong enough to support the weight of the oven (about 100 pounds).
- Check location where the Microwave Drawer will be installed for proper electrical supply
- Your oven can be built into a cabinet or wall by itself or under a gas or electric wall oven.
- Be sure that the clearance of the floor between the wall oven and the microwave drawer is a minimum of 2".
- This microwave drawer can be installed below any electric or gas wall oven.
- It can be installed using an electrical outlet in an adjacent cabinet within the area where the provided electrical cord can reach.
- The power cord access hole inside the cabinet should have a minimum diameter of 1 1/2" and be free of all sharp edges. ALWAYS allow for sufficient power cord length to the electrical outlet in order to prevent tension.



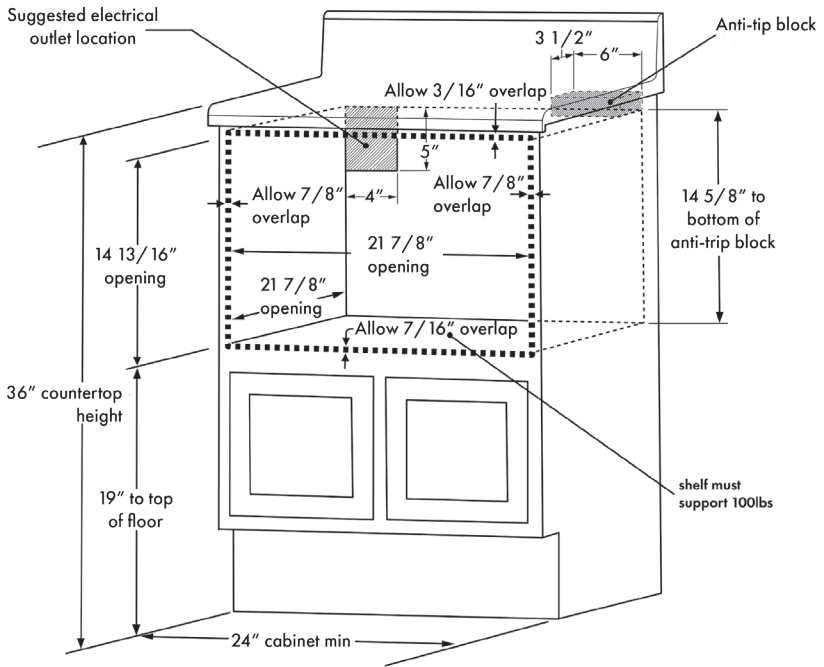
**24" Microwaves**  
**(MWD-1 and MWD-1-BS)**

**30" Microwaves**

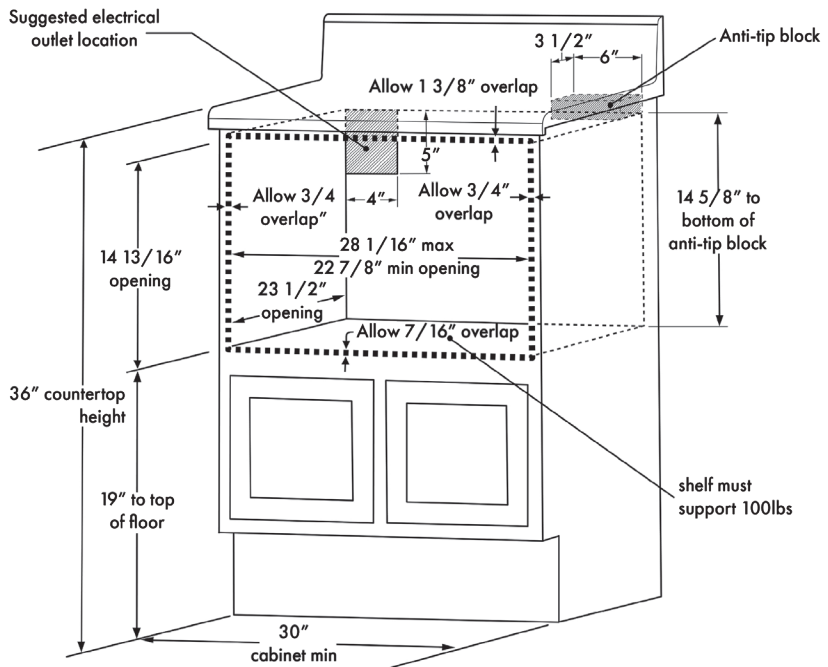


# INSTALLATION

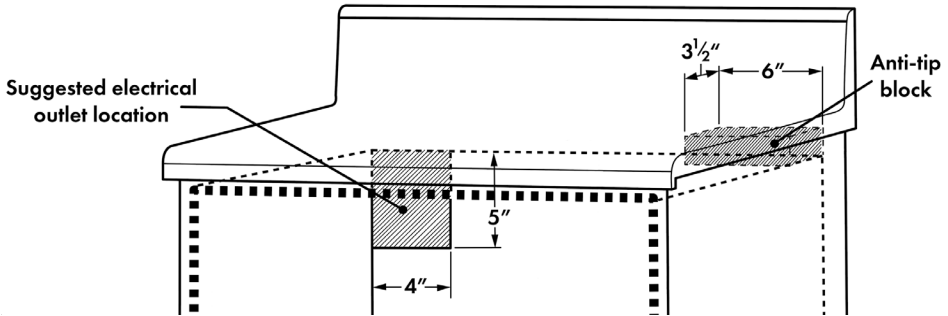
## 24" Microwaves



## 30" Microwaves



# INSTALLATION



## ELECTRICAL OUTLET AND ANTI-TIP BLOCK

To reduce the risk of tipping the drawer, the anti-tip block must be properly located  $14 \frac{13}{16}$ " above the floor on which the microwave drawer will sit. The 6" anti-tip block must be provided by the installer. The anti-tip block prevents serious injury that might result from spilled hot liquids. If the microwave drawer is ever moved to a different location, the anti-tip block must also be moved and installed. When secured to the wall, make sure that the screws completely penetrate the dry wall and are secured in wood or metal so that the block is totally stable. When fastening, be sure that the screws do not penetrate electrical wiring or plumbing. The electrical requirements are 120 volt, 60 Hz, AC only, 13 amp. It is recommended that a separate circuit serving only this appliance be provided. The drawer is equipped with a 3-prong grounding plug and must be plugged into a wall receptacle that is properly installed and grounded. Should you only have a 2-prong outlet, have a qualified electrician install a correct wall receptacle.

**NOTE:** If you have any questions about the grounding or electrical instructions, consult a qualified electrician or service person. The microwave drawer can also be installed using an electrical outlet in an adjacent cabinet within the area where the provided electrical cord can reach. ALWAYS check electrical cord can reach.

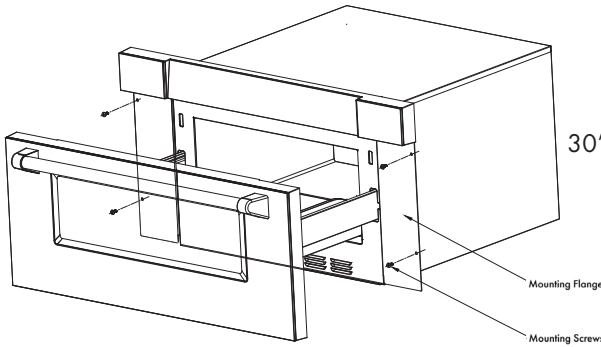
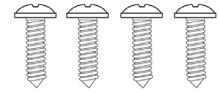
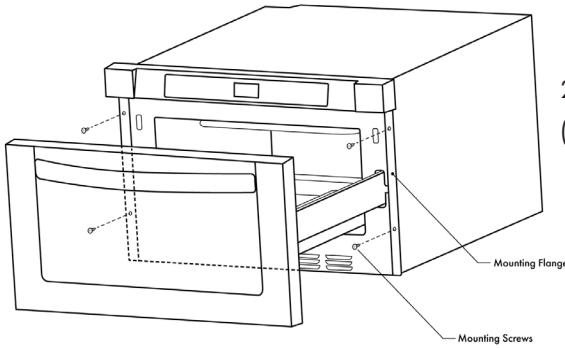
## GROUNDING INSTRUCTIONS

This appliance must be grounded. The microwave drawer must be plugged into a wall receptacle that is properly installed and grounded in accordance with the National Electrical Code along with local codes and ordinances. In the event of an electrical short circuit, grounding reduces risk of electrical shock by providing an escape wire for the electrical current.



**WARNING:** Improper use of the grounding plug can result in the risk of electric shock. Do not use an extension cord. If the power supply cord is too short, have a qualified electrician or serviceman install an outlet near the appliance.

# INSTALLATION



## DRAWER INSTALLATION

1. Place the drawer adjacent to the wall or cabinet opening. Plug the power supply cord into the electrical outlet.
2. Carefully guide the drawer into the prepared opening. Avoid pinching the cord between the oven and wall.
3. Slide the drawer all the way until the mounting flange is flush with the face of the cabinet.
4. Open the drawer. Using the four holes on the drawer as a template, pre-drill the cabinet using a 1/16" bit.
5. Secure the drawer with the four screws supplied.

# INSTALLATION Trim Kit

## TRIM KIT INSTALLATION

**NOTE:** The trim kit is included with MWD-TK-30 or it can be purchased separately (TK-MWD.) The trim kit is only available for the MWD-1. Not available in black stainless.

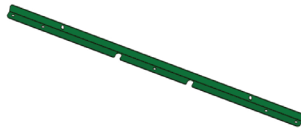
### TOOLS NEEDED:

- Air screwdriver
- Marker

### TOOLS INCLUDED:



Support beam



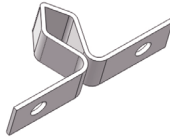
Front bracket



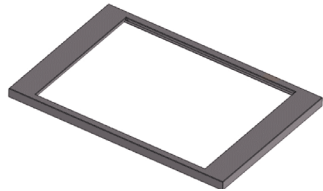
Rear bracket



Buckle seat



Buckle



Trim kit



#1 Screw



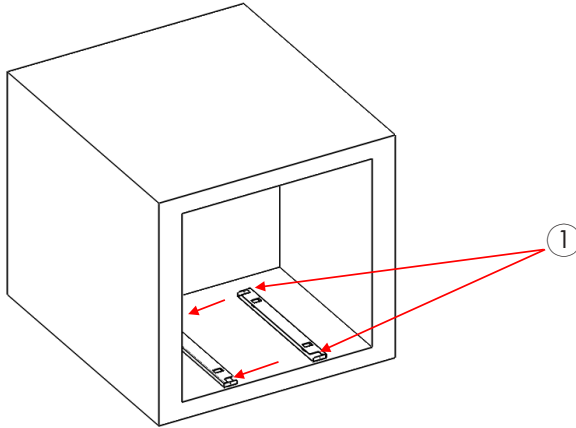
#2 Screw



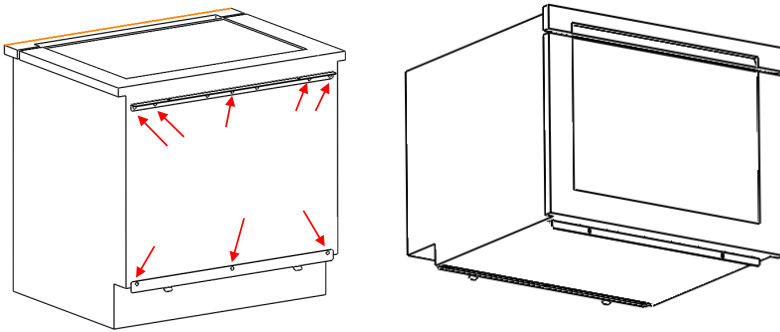
#3 Screw

# INSTALLATION Trim Kit

1. Install the support beams using the holes in the front bracket as a guide. Use the #1 screw.

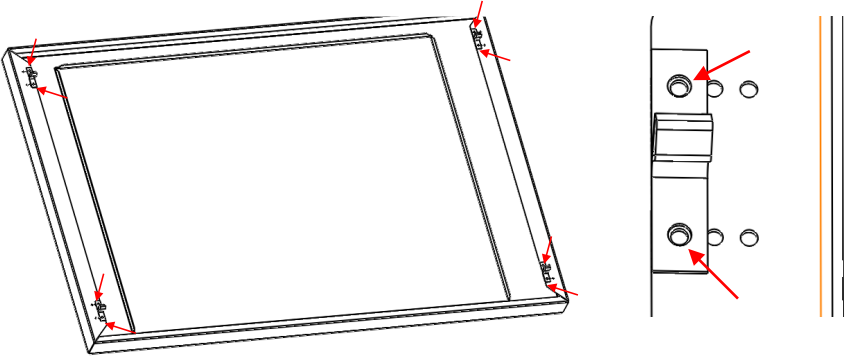


2. Remove the screws holding the microwave in place in order to install the front bracket and rear bracket.

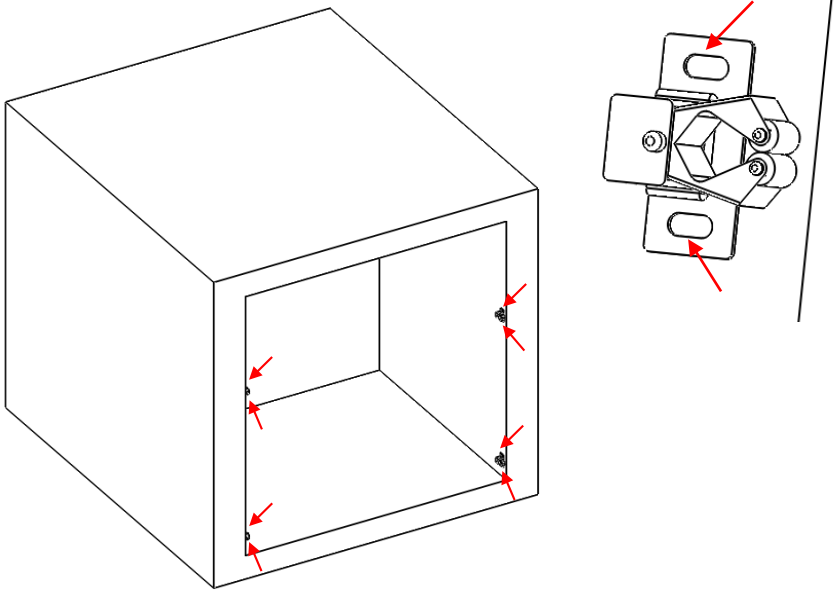


# INSTALLATION Trim Kit

3. Use #2 screws to install the four buckles on the corresponding mounting holes around the trim kit.

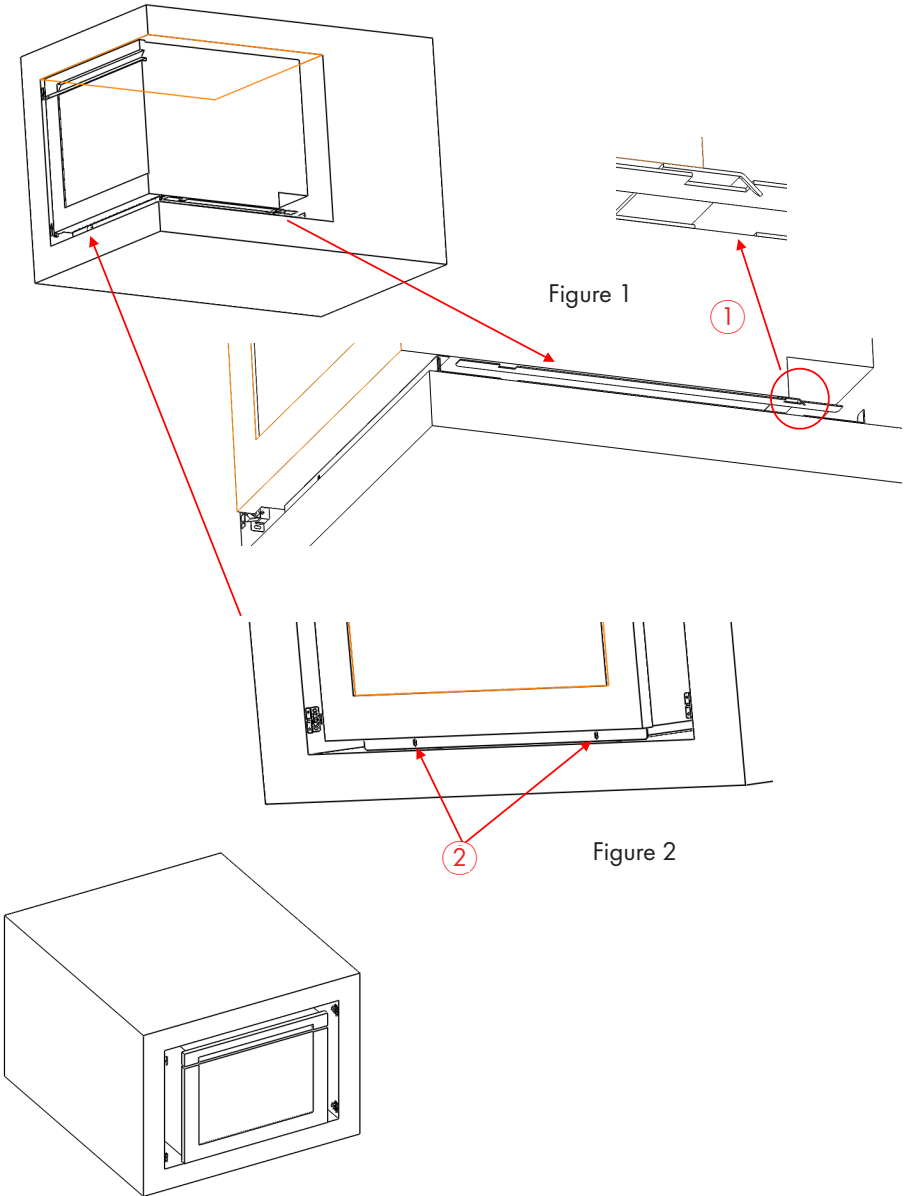


4. Line up the trim kit with the buckle seats.



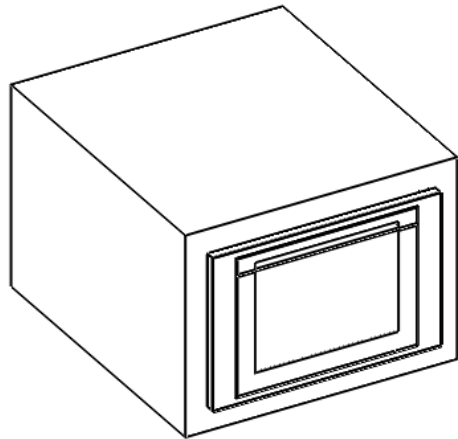
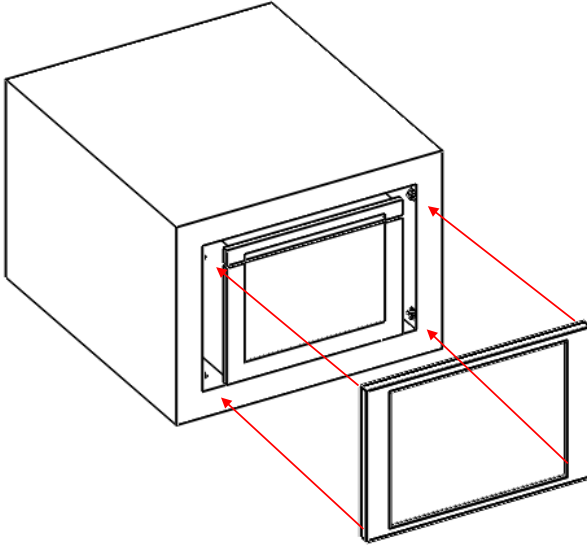
# INSTALLATION Trim Kit

5. Push the microwave into the slot in the rear bracket by extending the support beam (Figure 1).
6. Use screw #3 to fix the front bracket and support beam (Figure 2).



# INSTALLATION Trim Kit

7. Insert the trim kit into the corresponding buckle seat.



# OPERATION

## INTERFERENCE

- Operation of the microwave oven may cause interference to your radio, TV, or similar equipment.
- When there is interference, it may be reduced or eliminated by taking the following measures:
  - Clean door and sealing surface of the oven.
  - Reorient the receiving antenna of radio or television.
  - Relocate the microwave oven with respect to the receiver.
  - Move the microwave oven away from the receiver.
  - Plug the microwave oven into a different outlet so that microwave oven and receiver are on different branch circuits.



## UTENSILS

- Tightly-closed utensils could explode. Closed containers should be opened and plastic pouches should be pierced before cooking.
- See the instructions on materials you can use in microwave oven or to be avoided in microwave oven.
- There may be certain non-metallic utensils that are not safe to use for microwaving. If in doubt, you can test the utensil in question by following the procedure below:
  - Fill a microwave-safe container with 1 cup of cold water, along with the utensil in question.
  - Cook on maximum power for 1 minute.
  - Carefully feel the utensil. If the empty utensil is warm, do not use it for microwave cooking.
  - Do not exceed 1 minute cooking time.

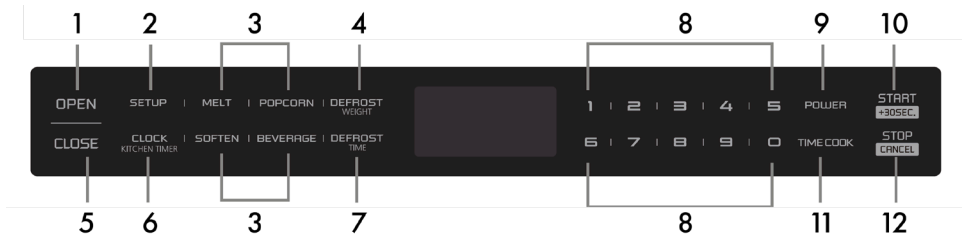
# OPERATION

Material	Usage
Browning dish	Follow manufacturer instructions.
Dinnerware	Microwave-safe only. Follow manufacturer's instructions. Do not use cracked or chipped dishes.
Glass jars	Always remove lid. Use only to heat food until just warm. Most glass jars are not heat resistant and may break.
Oven cooking bags	Follow manufacturer instructions. Do not close with metal tie. Make slits to allow steam to escape.
Paper plates and cups	Use for short term cooking/warming only. Do not leave oven unattended while cooking.
Paper towels	Use to cover food for reheating and absorbing fat. Use with supervision for a short-term cooking only.
Parchment and wax paper	Use as a cover to prevent splattering or a wrap for steaming.
Plastic	Microwave-safe only. Follow the manufacturer* instructions. Should be labeled "Microwave Safe". Some plastic containers soften, as the food inside gets hot. "Boiling bags" and tightly closed plastic bags should be slit, pierced or vented as directed by package.
Plastic wrap	Microwave-safe only. Use to cover food during cooking to retain moisture. Do not allow plastic wrap to touch food.
Thermometers	Microwave-safe only (meat and candy thermometers)



**WARNING:** Do not use aluminum, metal or metal trimmed utensils, metal twist ties, paper bags, plastic foam, wood, stainless steel mugs, or frozen meat.

# OPERATION 24" Microwaves



1. Open
2. Setup
3. Auto Menu
4. Defrost Weight
5. Close
6. Clock/Kitchen Timer
7. Defrost Time
8. Number Keys
9. Power
10. Start/+30sec.
11. Time Cook
12. Stop/Cancel

## POWER ON

- When the microwave oven is plugged into an outlet, buzzer sounds once. Screen displays "WELCOME". Then the oven turns into waiting state. The screen displays "00:00".
- In waiting state, the screen will display the current time if the clock has been set. Otherwise, "00:00" will display.
- Press "OPEN" button to open the drawer, and screen displays "OPEN". The screen will display "PLEASE CLOSE" when the drawer is fully opened.
- Press "CLOSE" button to close the drawer, and the screen displays "CLOSE". The screen will display the current time or "00:00" when the drawer is fully closed. If there are mistakes to open or close the drawer, buzzer will sound five times, and the screen will display "OPEN OR CLOSE".

## CLOCK SETTING

- Press "CLOCK/KITCHEN TIMER" button once. The first hour figure will flash and other "0" will light.
- Press the number buttons to enter the correct time. The input should be between 01:00-12:59.
- Press "CLOCK/KITCHEN TIMER" to finish the setting. ":" will flash.
- Note: In the process of clock setting, if the "STOP/CANCEL" button is pressed or if there is no operation within 1 minute, the oven will go back to former setting automatically.

# OPERATION 24" Microwaves

## KITCHEN TIMER

- Press "CLOCK/KITCHEN TIMER" button twice, Screen will display 00:00. "FUNCTION" will light.
- Press the number buttons to enter the time. The maximum cooking time is 99 minutes 99 seconds.
- Press "START/+30SEC." to confirm the setting. . The time begins to count down.
- When the kitchen time arrives, buzzer will ring 5 times. The oven turns into waiting state. Screen will display the current time if the clock has been set. Otherwise, Screen will display "00:00".
- The kitchen timer differs from a 12-hour system. Kitchen Timer is a timer. In the process of Kitchen Timer operation, any cooking program cannot be operated. "STOP/CANCEL" can be pressed to cancel the Kitchen Timer.

## MICROWAVE COOKING FUNCTION

- 11 power levels are available
- Press "TIME COOK" button, Screen will display "00:00". "FUNCTION" will light. Press number buttons to input the cooking time. The maximum cooking time is 99 minutes 99 seconds.
- Press "POWER" button to set the power. The default power level is "PL100".
- Press number buttons to select different power levels.
- Press "START/+30SEC." to start cooking. Buzzer sounds once. The cooking time begins to count down. When cooking finished, buzzer sounds five times and "FINISH" displays.

Level	10	9	8	7	6	5	4	3	2	1	0
Power	100%	90%	80%	70%	60%	50%	40%	30%	20%	10%	0%
Display	PL100	PL90	PL80	PL70	PL60	PL50	PL40	PL30	PL20	PL10	PL00

**NOTE:** In the process of setting, if the "STOP/CANCEL" button is pressed or if there is no operation within 1 minute, the oven will go back to the former setting automatically.

# OPERATION 24" Microwaves

## MICROWAVE COOKING FUNCTION

- In waiting state, instant cooking at 100% power level with 30 seconds cooking time can be started by pressing "START/+30SEC". Each press on the same button will increase cooking time by 30 seconds.
- During microwave and defrost by time, "START/+30SEC." can be pressed to increase cooking time. Each press will increase 30 seconds.
- Note: "START/+30SEC." cannot be pressed to increase cooking time for defrost by weight and Auto menu cooking.


## WEIGHT DEFROST FUNCTION:

- Press "DEFROST WEIGHT" button. Screen displays "WEIGHT DEFROST".
- And "FUNCTION" will light.
- Press number buttons to input the weight to be defrosted.
- The input weight should be between 0.1-6.0 lbs.
- Press "START/+30SEC." to start defrosting. Buzzer sounds once. The defrosting time begins to count down. When cooking finished, buzzer sounds five times and "FINISH" displays.

## TIME DEFROST FUNCTION

- Press "DEFROST TIME" button. Screen displays "TIME DEFROST". And "FUNCTION" will light.
- Press number buttons to enter the defrosting time between 00:01-99:99.
- Press "START/+30SEC." to start defrosting. Buzzer sounds once. The defrosting time begins to count down. When cooking finished, buzzer sounds five times and "FINISH" displays.
- **NOTE:** The defrosting power level is PL30.

## AUTO MENU: BEVERAGE

- Press "BEVERAGE" button. Screen displays "1". "AUTO MENU" and " " indicators will light. Continue to press "BEVERAGE" button, "1" or "2" will display in order.
- Press "START/+30SEC." to start cooking. Buzzer sounds once. The cooking time begins to count down. When cooking finished, buzzer sounds five times and "FINISH" displays.

# OPERATION 24" Microwaves

## AUTO MENU: POPCORN

- Press "POPCORN" button. Screen displays "1.75". "AUTO MENU" and "OZ" indicators will light.
- Continue to press "POPCORN" button, "1.75", "3" or "3.5" will display in order.
- Press "START/+30SEC." to start cooking. Buzzer sounds once. "OZ" will go out. The cooking time begins to count down. When cooking finished, buzzer sounds five times and "FINISH" displays.

## AUTO MENU: MELT

- Press "MELT" button. Screen displays "BUTTER". "AUTO MENU" indicator will light.
- Continue to press "MELT" button, "BUTTER", "CHOCOLA", "CHEESE" or "MARSHMA" will display in order.
- Press "START/+30SEC." to confirm the selection.
- Press "MELT" button to select the weight. "OZ" will light except butter menu.
- Press "START/+30SEC." to start cooking. Buzzer sounds once. "OZ" will go out. The cooking time begins to count down. When cooking finished, buzzer sounds five times and "FINISH" displays.

Menu	Display	Weight
Butter/Margarine	BUTTER	1
		2
		3
Chocolate	CHOCOLA	4
		8
Cheese	CHEESE	8
		16
Marshmallows	MARSHMA	5
		10

# OPERATION 24" Microwaves

## AUTO MENU: SOFTEN

Press "SOFTEN" button. Screen displays "BUTTER". "AUTO MENU" indicator will light.

- Continue to press "SOFTEN" button, "BUTTER", "ICE-CRE", or "CHEESE" will display in order.
- Press "START/+30SEC." to confirm the selection.
- Press "SOFTEN" button to select the weight. "OZ" will light except butter menu.
- Press "START/+30SEC." to start cooking. Buzzer sounds once. "OZ" will go out. The cooking time begins to count down. When cooking finished, buzzer sounds five times and "FINISH" displays.

Menu	Display	Weight
Butter	BUTTER	1
		2
		3
Ice cream/Frozen juice	ICE-CRE	8
		16
		32
Cream cheese	CHEESE	3
		8

## BUZZER ON/OFF (MUTE):

- Press "SETUP" button. Screen displays "BUZ OFF".
- Press "START/+30SEC." button. The oven will turn to waiting state. Buzzer is turned off. No beep will sound.
- Press "SETUP" button. Screen displays "BUZ ON".
- Press "START/+30SEC." button. The oven will turn to waiting state. Buzzer is turned on. Buzzer will sound normally.

# OPERATION 24" Microwaves

## PANEL LOCK

- Lock: In waiting state, press "STOP/CANCEL" for 3 seconds, the oven will enter into the panel lock state. Screen will display the current time if the clock has been set. Otherwise, "00:00" will display.
- Lock release: In locked state, press "STOP/CANCEL" for 3 seconds to release the lock.

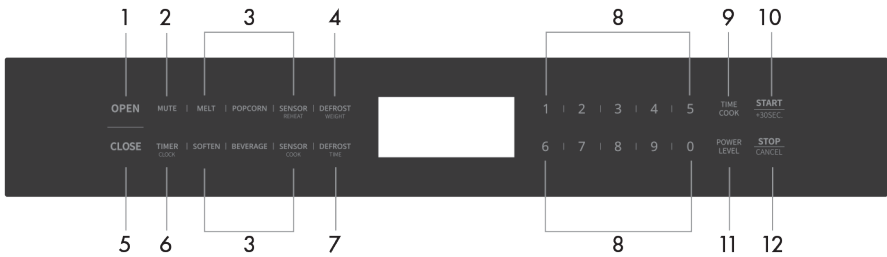
## INQUIRING FUNCTION

- In cooking state, press "CLOCK/KITCHEN TIMER " button to check the clock. The current time will display for 3 seconds.
- In the microwave cooking state, press "POWER" button to inquire the microwave power. The current microwave power will display for 3 seconds.

## OTHER SPECIFICATIONS

- The buzzer sounds once by efficient press, inefficient press will be no response.
- In cooking state, "OPEN" cannot be pressed to open the drawer unless "STOP/CANCEL" button is pressed to pause the cooking. Press "CLOSE" button to close the drawer. Then "START/+30SEC." button must be pressed to continue cooking.
- If the cooking program has been set , "START/+30SEC." is not pressed in 1 minute, The current time will be displayed. The setting will be canceled.
- If the oven door is open, the lamp will light until the oven is powered off.

# OPERATION 30" Microwaves



1. Open
2. Mute
3. Auto Menu
4. Defrost Weight
5. Close
6. Clock/Kitchen Timer
7. Defrost Time
8. Number Keys
9. Time Cook
10. Start/+30sec.
11. Power Level
12. Stop/Cancel

## POWER ON

- When the microwave oven is plugged into an outlet, buzzer sounds once. Then the oven turns into waiting state. The screen displays "00:00".
- In waiting state, the screen will display the current time if the clock has been set. Otherwise, "00:00" will display.
- Press "OPEN" button to open the drawer. The screen will display "PLEASE CLOSE" when the drawer is fully opened.
- Press "CLOSE" button to close the drawer. The screen will display the current time or "00:00" when the drawer is fully closed. If there are mistakes to open or close the drawer, buzzer will sound five times, and the screen will display "OPEN OR CLOSE".

## CLOCK SETTING

- Press "TIMER/CLOCK" button twice. "12:00" will flash.
- Press number keys to set the clock, it should be within 1:00~12:59.
- Press "START+30SEC." or "TIMER/CLOCK" to finish the setting.
- Note: In the process of clock setting, if the "STOP/CANCEL" button is pressed or if there is no operation within 1 minute, the oven will go back to former setting automatically.

# OPERATION 30" Microwaves

## KITCHEN TIMER

- Press "TIMER/CLOCK" button once. "00:00" will display.
- Press number keys to set the clock, it should be within 00:01-99:99.
- Press "START+30SEC." to start counting down .
- When the kitchen time arrives, buzzer will ring 4 times. The oven turns into waiting state. Screen will display the current time if the clock has been set. Otherwise, Screen will display "00:00".

## TIME COOK

- 10 power levels are available
- Press "TIME COOK" button, Screen will display "00:00".
- Press number keys to set the cook time, it should be within 00:01-99:99.
- Press "POWER LEVEL" once, and then to confirm and then press "POWER LEVEL" repeatedly or press number key to set the power level.
- Press "START+30SEC." to start cooking.

Level	10	9	8	7	6	5	4	3	2	1
Power	100%	90%	80%	70%	60%	50%	40%	30%	20%	10%
Display	PL10	PL09	PL08	PL07	PL06	PL05	PL04	PL03	PL02	PL01

## ADD 30 SEC

- In waiting state, instant cooking at 100% power level with 30 seconds' cooking time can be started by pressing "START/+30SEC". Each press on the same button will increase cooking time by 30 seconds.
- During microwave and defrost time, "START/+30SEC." can be pressed to increase cooking time. Each press will increase 30 seconds.

# OPERATION 30" Microwaves

## WEIGHT DEFROST FUNCTION:

- Press "DEFROST WEIGHT" button. Screen displays the defrost icon. And "0.0 lbs" will light.
- Press number buttons to input the weight to be defrosted. The input weight should be between 0.1-6.0 lbs.
- Press "START/+30SEC." to start defrosting. Buzzer sounds once.

**NOTE:** The buzzer will sound twice to remind you of turning over the food during defrosting

## TIME DEFROST FUNCTION

- Press "DEFROST TIME" button. Screen displays defrost icon and "00:00" will light.
- Press number buttons to enter the defrosting time between 00:01-99:99.
- Press "START/+30SEC." to start defrosting.

**NOTE:** The defrosting power level is PLO3. It cannot be changed. The buzzer will sound twice to remind you of turning over the food during defrosting.

## POPCORN

- Press "POPCORN" to start cooking directly.

## SENSOR REHEAT

- In waiting state, press "Sensor Reheat" once, "Sr-1" will display.
- Press "Sensor Reheat" repeatedly or press "1-4" to choose the menu.
- Press "START+30SEC." to start cooking.

Pasta	Sr-1
Pizza	Sr-2
Plate	Sr-3
Soup	Sr-4

# OPERATION 30" Microwaves

## SENSOR COOK

- In waiting state, press "Sensor Cook" once, "Sc-1" will display.
- Press "Sensor Cook" repeatedly or press "1-7" to choose the menu.
- Press "START+30SEC." to start cooking.

Potato	Sc-1
Chicken	Sc-2
Fish	Sc-3
Ground meat	Sc-4
Fresh veggies	Sc-5
Frozen veggies	Sc-6
Canned veggies	Sc-7

## BEVERAGE

- In waiting state, press "Beverage" once, "1", "01:30" will display.
- Press "Beverage" repeatedly or press "1" or "2" to choose the menu.
- Press "START+30SEC." to start cooking.

## MELT

- In waiting state, press "MELT" once, "1 buTT" will display.
- Press "MELT" repeatedly to choose the menu.
- Press "1" or "2" to choose the correspond weight.
- Press "START+30SEC." to start cooking.

Menu	Display	Weight
Butter/Margarine	1 buTT	1 (stick)
	2 buTT	2 (stick)
	3 buTT	3 (stick)
Chocolate	4 oz Choc	4 oz
	8 oz Choc	8 oz
Cheese	8 oz CHEE	8 oz
	16 oz CHEE	16 oz

# OPERATION 30" Microwaves

## SOFTEN

- In waiting state, press "SOFTEN" once, "1 buTT" will display.
- Press "SOFTEN" repeatedly to choose the menu.
- Press "1" or "2" to choose the correspond weight.
- Press "START+30SEC." to start cooking.

Menu	Display	Weight
Butter/Margarine	1 buTT	1 (stick)
	2 buTT	2 (stick)
	3 buTT	3 (stick)
Ice cream/	8 oz ICE	8 oz
Frozen juice	16 oz ICE	16 oz
	32 oz ICE	32 oz
Cream cheese	3 oz CHEE	3 oz
	8 oz CHEE	8 oz

## MULTIPLE COOK

- In waiting state, press "DEFROST WEIGHT" once, "0.0 lbs" will display.
- Press number buttons to input the weight to be defrosted. The input weight should be between 0.1-6.0 lbs.
- Press "TIME COOK" button once. "00:00" will display.
- Press number keys to set the cook time, it should be within 00:01-99:99.
- Press "POWER LEVEL" once, and then to confirm and then press "POWER LEVEL" repeatedly or press number key to set the power level.
- Press "START+30SEC." to start cooking.

**NOTE:** The defrost function only could be one stage of the multiple cook. Two stage cook can be set at most.

## BUZZER ON/OFF

To enter silent mode

- Press "MUTE" button. Screen displays silent icon.

To cancel silent mode

- In silent mode, press "MUTE" button. The buzzer will sound twice.

# OPERATION 30" Microwaves

## LOCK FUNCTION FOR CHILDREN

- Lock: In waiting state, press "STOP/CANCEL" for 3 seconds, then oven will enter into the children-lock state. Screen will display "Loc."
- Unlock: In locked state, press "STOP/CANCEL" for 3 seconds to release the lock. Screen will display "UnLo."

## ECO MODE

To enter eco mode:

- When the oven door is closed, in waiting state, if there is not any operations in 1 minute
- When in eco-mode, the stand-by power will be 0.9W.

To cancel eco mode:

- In eco mode, open the door or press any key to cancel it

## INQUIRING FUNCTION

- In cooking state, press "TIMER/CLOCK" button to check the clock. The current time will display for 3 seconds at most.

# TROUBLESHOOTING

ZLINE Customer Service is available at 1-614-777-5004.

Fault	Possible Cause	Troubleshooting
Oven won't start.	Electrical cord is unplugged.	Plug into the outlet.
	Door is open.	Close the door and retry.
	Wrong operation is set.	Check instructions
Arcing or sparking.	Materials to be avoided in the microwave oven were used.	Use microwave-safe cookware only.
	The oven is operated when empty.	Do not operate with oven empty.
	Spilled food is in the cavity.	Clean cavity with wet towel.
	Certain foods high in iron can cause a spark.	Example: Broccoli, potatoes, butter, etc.
Improper defrosting	Materials to be avoided in microwave oven were used.	Use microwave-safe cookware only.
	Cooking time, power level is not suitable.	Use correct cooking time, power level.
	Food is not turned or stirred.	Turn or stir food.

# TROUBLESHOOTING

Fault	Possible Cause	Troubleshooting
Unevenly cooked food.	Materials to be avoided in microwave oven were used.	Use microwave-safe cookware only.
	Food is not defrosted completely.	Completely defrost food.
	Cooking time and/or power level is not suitable.	Use correct cooking time and/or power level.
	Food is not turned or stirred.	Turn or stir food.
Overcooked food.	Cooking time and/or power level is not suitable.	Use correct cooking time and/or power level.
Undercooked food.	Materials to be avoided in microwave were used.	Use microwave-safe cookware only.
	Oven ventilation ports are restricted.	Check to see that oven ventilation ports are not restricted.
	Cooking time and/or power level is not suitable.	Use correct cooking time and/or power level.
	Food is not turned or stirred.	Turn or stir food.



Need additional information?

Scan the QR code to view the most up-to-date version of our user manual and installation guide.



Need to purchase a part or accessory for your ZLINE product?  
Visit [ZLINEparts.com](https://www.zlineparts.com), ZLINE's official parts distribution partner.

2.5.0

[zlinekitchen.com](http://zlinekitchen.com)

1-614-777-5004

[contact@zlinekitchen.com](mailto:contact@zlinekitchen.com)

**ZLINE**  
ATTAINABLE LUXURY®