

A-FRAME HIDEAWAY & CLIMBER

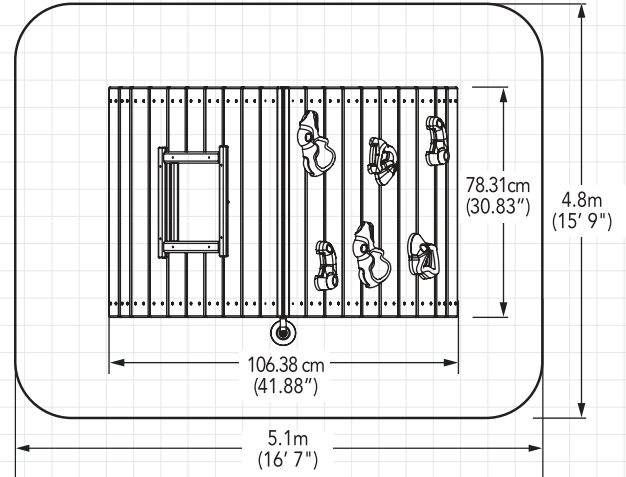
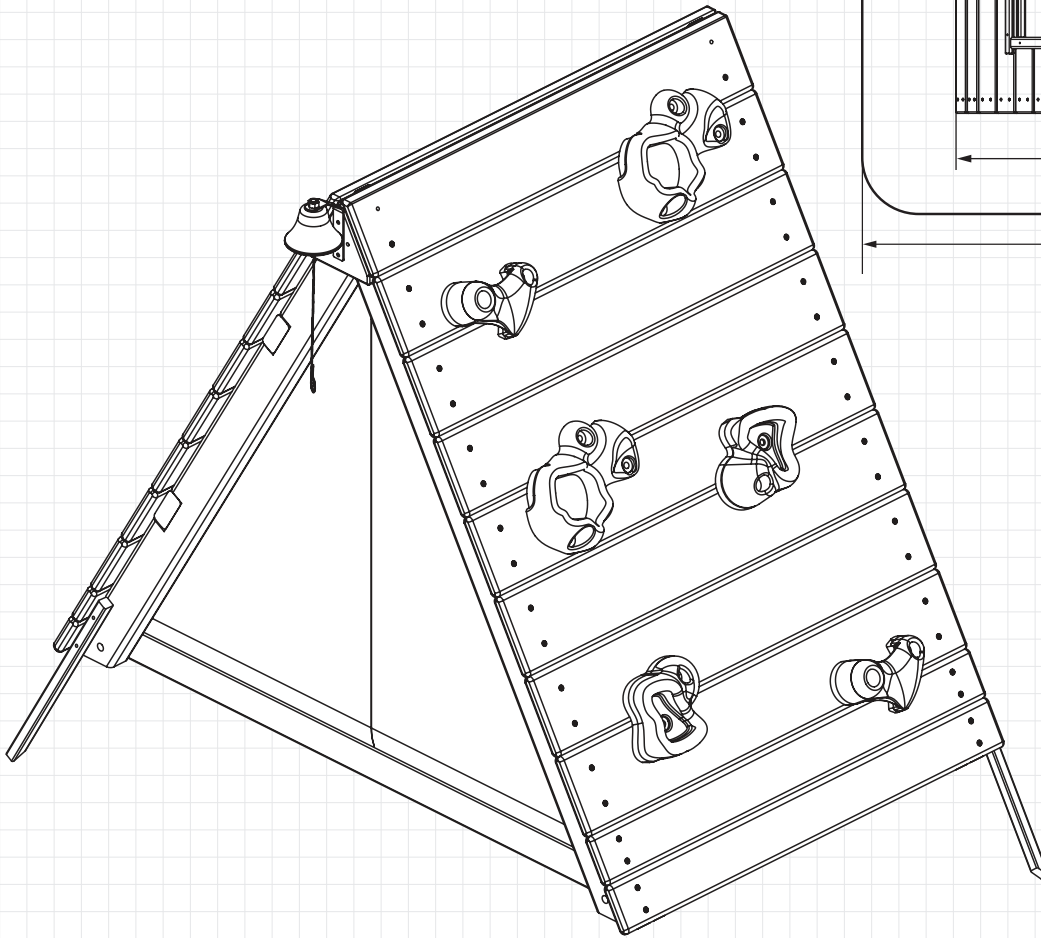


OBSTACLE FREE SAFETY ZONE - 16' 7" X 15' 9" (5.1 X 4.8 m) area requires Protective Surfacing.

MAXIMUM VERTICAL FALL HEIGHT - 3' (0.916 m)

CAPACITY - A maximum of 2 children is recommended for this unit. Note: only (1) child climbing at any time, Ages 3 to 5; Weight Limit 50 lbs (22.6 kg) per child.

RESIDENTIAL HOME USE ONLY. Not intended for public areas such as multi-unit residences, schools, churches, nurseries, day cares or parks.



INSTALLATION AND OPERATING INSTRUCTIONS

FOR 24/7 ONLINE PARTS REPLACEMENT

parts.kidkraft.com

KidKraft, Inc.
4630 Olin Road
Dallas, Texas 75244
USA

customerservice@kidkraft.com

1.800.933.0771
972.385.0100

parts.kidkraft.eu

KidKraft Netherlands BV
Olympisch Stadion 8
1076 DE Amsterdam
The Netherlands

europecustomerservice@kidkraft.com

+31 20 305 8620
M-F from 09:00 to 17:30 (GMT+1)

Rev 11/16/2022



WARNING

To reduce the risk of serious injury or death, please read and follow these instructions. Keep and refer to instructions as needed and pass along to any future owners of this item.

Congratulations on purchasing a KidKraft product! Our items are made of high-quality, durable Cunninghamia Lanceolata wood from the cypress family. Lumber from these trees are known for their light weight and excellent strength. The porosity of this wood allows the moisture to absorb and evaporate in the fibers, resisting rot and bugs. Engineered for great play, our products also go through extensive testing for safety. Plus, our team has developed a series of proprietary methods for a simpler, more organized assembly. Less build time and more play time is our motto! However, during assembly if you have any questions or concerns, please reach out. Our Customer Service can help with missing parts, instructions or maintenance.

Warnings and Safe Play Instructions



CONTINUOUS ADULT SUPERVISION REQUIRED. Most serious injuries and deaths on playground equipment have occurred while children were unsupervised! Our products are designed to meet mandatory and voluntary safety standards. Complying with all warnings and recommendations in these instructions will reduce the risk of serious or fatal injury to children using this play system. Go over the warnings and safe play instructions regularly with your children and make certain that they understand and follow them. Remember on-site adult supervision is required for children of all ages.



WARNING

SERIOUS HEAD INJURY HAZARD

Installation over concrete, asphalt, dirt, grass, carpet and other hard surface creates a risk of serious injury or death from falls to the ground. Install and maintain shock absorbing material under and around play-set as recommended on page 3 of these instructions.

COLLISION HAZARD

Place play-set on level ground at least 2m from any obstruction such as a garage or house, fences, poles, trees, sidewalks, walls, landscape timbers, rocks, pavement, planters, garden borders, overhanging branches, laundry lines, and electrical wires. (See OBSTACLE FREE SAFETY ZONE on cover)

CHOKING HAZARD/SHARP EDGES & POINTS

Adult assembly required. This product contains small parts and parts with sharp edges and points. Keep parts away from children until fully assembled.

WARNING LABEL

Owners shall be responsible for maintaining the legibility of the warning labels.

STRANGULATION HAZARD

- NEVER allow children to play with ropes, clotheslines, pet leashes, cables, chains or cord-like items when using this play-set or to attach these items to play-set.
- NEVER allow children to wear loose fitting clothing, ponchos, hoods, scarves, capes, necklaces, items with draw-strings, cords or ties when using this play-set.
- NEVER allow children to wear bike or sport helmets when using this play-set.

Failure to prohibit these items, even helmets with chin straps, increases the risk of serious injury and death to children from entanglement and strangulation.

TIP OVER HAZARD

Choose a level location for the equipment. This can reduce the likelihood of the play set tipping over and loose-fill surfacing materials washing away during heavy rains.

DO NOT allow children to play on the play-set until the assembly is complete and the unit is properly anchored.



WARNING – Safe Play Instructions

- ✓ Observe capacity limitations of your play-set. See front cover.
- ✓ Dress children with well fitting and full foot enclosing footwear.
- ✓ Check for splintered, broken or cracked wood; missing, loose, or sharp edged hardware. Replace, tighten and or sand smooth as required prior to playing.
- ✗ Do not allow children to wear open toe or heel footwear like sandals, flip-flops or clogs.
- ✗ Do not permit climbing on equipment when it is wet.
- ✗ Do not permit rough play or use of equipment in a manner for which it was not intended. Standing on or jumping from the roof can be dangerous.



⚠️ Protective Surfacing - Reducing Risk of Serious Head Injury From Falls.

One of the most important things you can do to reduce the likelihood of serious head injuries is to install shock-absorbing protective surfacing under and around your play equipment. The protective surfacing should be applied to a depth that is suitable for the equipment height in accordance with ASTM F1292. There are different types of surfacing to choose from; whichever product you select, follow these guidelines:

Loose-Fill Materials

- Maintain a minimum depth of 9 inches of loose-fill materials such as wood mulch/chips, engineered wood fiber (EWF), or shredded/recycled rubber mulch for equipment up to 8 feet high; and 9 inches of sand or pea gravel for equipment up to 5 feet high. NOTE: An initial fill level of 12 inches will compress to about a 9-inch depth of surfacing over time. The surfacing will also compact, displace, and settle, and should be periodically raked and refilled to maintain at least a 9-inch depth.
- Use a minimum of 6 inches of protective surfacing for play equipment less than 4 feet in height. If maintained properly, this should be adequate. (At depths less than 6 inches, the protective material is too easily displaced or compacted.)

NOTE: Do not install home playground equipment over concrete, asphalt, or any other hard surface. A fall onto a hard surface can result in serious injury to the equipment user. Grass and dirt are not considered protective surfacing because wear and environmental factors can reduce their shock absorbing effectiveness. Carpeting and thin mats are not adequate protective surfacing. Ground level equipment -- such as a sandbox, activity wall, playhouse or other equipment that has no elevated play surface -- does not need any protective surfacing.

- Use containment, such as digging out around the perimeter and/or lining the perimeter with landscape edging. Don't forget to account for water drainage.
- Periodically rake, check and maintain the depth of the loose-fill surfacing material. Marking the correct depth on the play equipment support posts will help you to see when the material has settled and needs to be raked and or replenished. Be sure to rake and evenly redistribute the surfacing in heavily used areas.
- Do not install loose fill surfacing over hard surfaces such as concrete or asphalt.

Poured-In-Place Surfaces or Pre-Manufactured Rubber Tiles

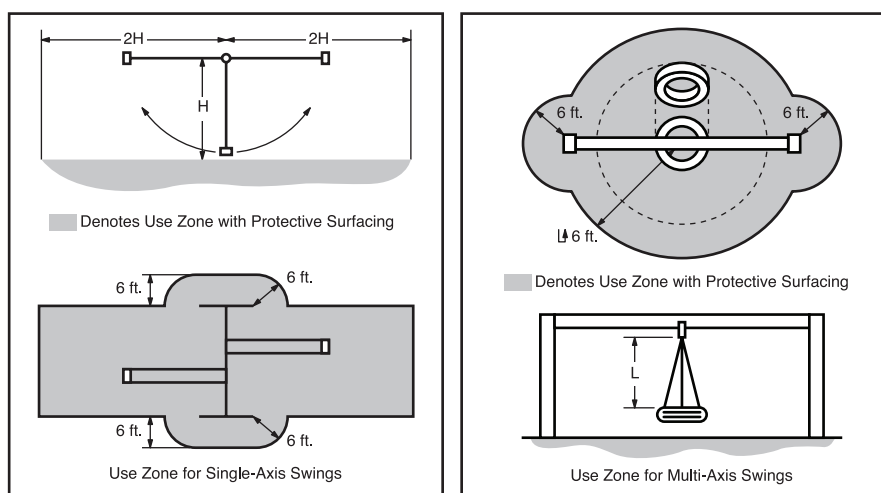
You may be interested in using surfacing other than loose-fill materials - like rubber tiles or poured-in-place surfaces.

- Installations of these surfaces generally require a professional and are not "do-it yourself" projects.
- Review surface specifications before purchasing this type of surfacing. Ask the installer/manufacturer for a report showing that the product has been tested to the following safety standard: ASTM F1292 *Standard Specification for Impact Attenuation of Surfacing Materials within the Use Zone of Playground Equipment*. This report should show the specific height for which the surface is intended to protect against serious head injury. This height should be equal to or greater than the fall height - vertical distance between a designated play surface (*elevated surface for standing, sitting, or climbing*) and the protective surfacing below - of your play equipment.
- Check the protective surfacing frequently for wear.

Placement

Proper placement and maintenance of protective surfacing is essential. Refer to diagram on front cover. Be sure to;

- Extend surfacing at least 2m from the equipment in all directions.

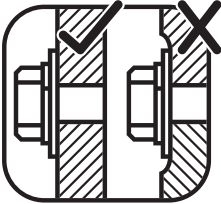
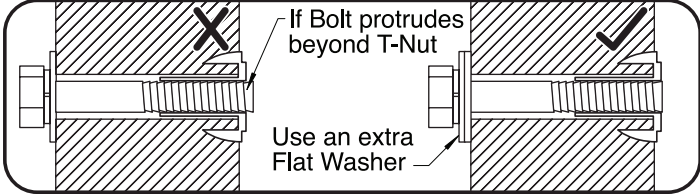


From the CPSC Outdoor Home Playground Safety Handbook. At <http://www.playgroundregs.com/resources/CPSC%20324.pdf>

Instructions for Proper Maintenance

Your KidKraft Play System is designed and constructed of quality materials with your child's safety in mind. As with all outdoor products used by children, it will weather and wear. To maximize the enjoyment, safety and life of your Play Set, it is important that you, the owner, properly maintain it.

Check the following at the beginning of the play season:

<p>HARDWARE:</p> <ul style="list-style-type: none"> ✓ Check metal parts for rust. If found, sand and repaint using a non-lead paint complying with 16 CFR 1303. ✓ Inspect and tighten all hardware. On wood assemblies DO NOT OVERTIGHTEN as to cause crushing and splintering of wood. ✓ Check for sharp edges or protruding screw threads, add washers if required.   <p>SHOCK ABSORBING SURFACING:</p> <ul style="list-style-type: none"> ✓ Check for foreign objects. Rake and check depth of loose fill protective surfacing materials to prevent compaction and maintain appropriate depth. Replace as necessary. (See Protective Surfacing, page 3) 	<p>GROUND STAKES (ANCHORS):</p> <ul style="list-style-type: none"> ✓ Check for looseness, damage or deterioration. Should firmly anchor unit to ground during use. Re-secure and or replace, if necessary. <p>WOOD PARTS:</p> <ul style="list-style-type: none"> ✓ Check all wood members for deterioration, structural damage and splintering. Sand down splinters and replace deteriorated wood members. As with all wood, some checking and small cracks in grain is normal. ✓ Unprotected, they will appear weathered over time. Periodic application of an exterior water repellent or stain (water-based) will help improve appearance and life.
--	---

Check twice a month during play season:

<p>HARDWARE:</p> <ul style="list-style-type: none"> ✓ Inspect for tightness. Must be firmly against, but not crushing the wood. DO NOT OVERTIGHTEN. This will cause splintering of wood. ✓ Check for sharp edges or protruding screw threads. Add washers if required. 	<p>SHOCK ABSORBING SURFACING:</p> <ul style="list-style-type: none"> ✓ Rake and check depth of loose fill protective surfacing materials to prevent compaction and maintain appropriate depth. Replace as necessary. (See Protective Surfacing, page 3)
--	---

Check at the end of the play season:

<ul style="list-style-type: none"> ✓ To prolong their life, remove the plastic and store inside when outside temperature is below 32°F/0°C. Below freezing, plastic parts may become more brittle. 	<p>SHOCK ABSORBING SURFACING:</p> <ul style="list-style-type: none"> ✓ Rake and check depth of loose fill protective surfacing materials to prevent compaction and maintain appropriate depth. Replace as necessary. (See Protective Surfacing, page 3)
---	---

If you dispose of your play set: Please disassemble and dispose of your unit so that it does not create any unreasonable hazards at the time it is discarded. Be sure to follow your local waste ordinances.

About Our Wood

KidKraft Premium Play Systems uses 100% FSC wood. Although we take great care in selecting the best quality lumber available, wood is still a product of nature and susceptible to weathering which can change the appearance of your set.

What causes weathering? Does it affect the strength of my Play System?

One of the main reasons for weathering is the effects of water (moisture); the moisture content of the wood at the surface is different than the interior of the wood. As the climate changes, moisture moves in or out of the wood, causing tension which can result in checking and or warping. You can expect the following due to weathering. These changes will not affect the strength of the product:

1. **Checking** is surface cracks in the wood along the grain. A post (4" x 4") will experience more checking than a board (1" x 4") because the surface and interior moisture content will vary more widely than in thinner wood.
2. **Warping** results from any distortion (twisting, cupping) from the original plane of the board and often happens from rapid wetting and drying of the wood.
3. **Fading** happens as a natural change in the wood color as it is exposed to sun-light and will turn a grey over time.

How can I reduce the amount of weathering to my Play System?

At the factory we have coated the wood with a water repellent or stain. This coating decreases the amount of water absorption during rain or snow thus decreasing the tension in the wood. Sunlight will break down the coating, so we recommend applying a water repellent or stain on a yearly basis (see your local stain and paint supplier for a recommended product).

Most weathering is just the normal result of nature and will not affect safe play and enjoyment for your child. However if you are concerned that a part has experienced a severe weathering problem please call our consumer relations department for further assistance.

Complete and mail registration card to receive important product notifications and assure prompt warranty service.

5 Year Limited Warranty

KidKraft warrants that this product is free from defect in materials and workmanship for a period of one year from the original date of purchase. In addition, lumber is warranted for 5 years against structural failure due to rot and insect damage. All other parts, such as hardware, swings, rides, accessories, and slides carry a one-year warranty only.

This warranty applies to the original owner and registrant and is non-transferable.

Regular maintenance is required to assure the integrity of your Play System. This warranty does not cover any inspection cost.

This Limited Warranty does not cover:

- Labor for replacement of any defective item(s);
- Incidental or consequential damages;
- Cosmetic defects which do not affect performance or integrity;
- Vandalism; improper use or installation; acts of nature;
- Minor twisting, warping, checking, or any other natural occurring properties of wood that do not affect performance or integrity.

KidKraft products have been designed for safety and quality. Any modifications made to the original product could damage the structural integrity of the unit leading to failure and possible injury.

Kidkraft cannot assume any responsibility for modified products. Furthermore, modification voids any and all warranties.

This product is warranted for **RESIDENTIAL USE ONLY**. Under no circumstance should a KidKraft Play System be used in public settings such as schools, churches, playgrounds, parks, day cares and the like. Such use may lead to product failure and potential injury. Any and all public use will void this warranty.

KidKraft disclaims all other representations and warranties of any kind, express or implied.

This Warranty gives you specific legal rights. You may have other rights as well which vary from state to state or province to province. This warranty excludes all consequential damages, however, some states do not allow the limitation or exclusion of consequential damages, and therefore this limitation may not apply to you.

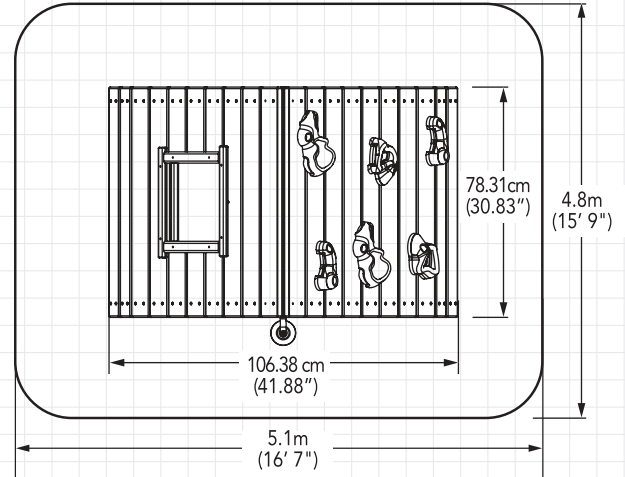
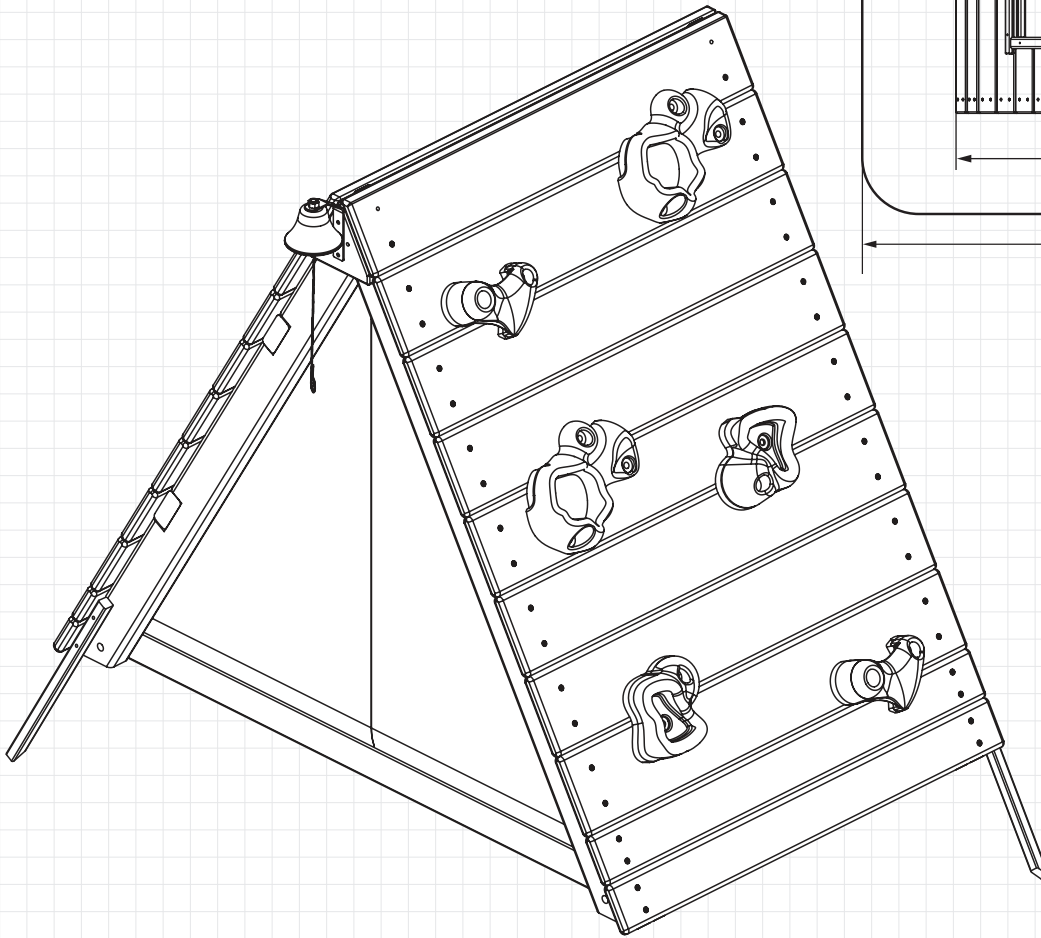
CACHETTE ET PENTE D'ESCALADE STRUCTURE TRIANGULAIRE

ZONE DE SÉCURITÉ SANS OBSTACLE - 16' 7" X 15' 9" (5.1 X 4.8 m)

HAUTEUR MAXIMALE DE CHUTE VERTICALE : 3' (0.916 m).

CAPACITY - Un maximum de 2 enfants est recommandé pour cet appareil. Remarque: un seul enfant grimpe à tout moment. 3 à 5 ans ; limite de poids fixée à 50 lb (22.6 kg) par enfant.

UTILISATION POUR LES RÉSIDENCES SEULEMENT. Non conçu pour les endroits publics tels qu'écoles, églises, services de garde, garderies ou parcs. Pour usage domestique seulement.



INSTRUCTIONS D'INSTALLATION ET D'UTILISATION

POUR LE REMPLACEMENT 24/7 DES PIÈCES EN LIGNE

parts.kidkraft.com

KidKraft, Inc.
4630 Olin Road
Dallas, Texas 75244
USA

customerservice@kidkraft.com

1.800.933.0771
972.385.0100

parts.kidkraft.eu

KidKraft Netherlands BV
Olympisch Stadion 8
1076 DE Amsterdam
Pays-Bas

europecustomerservice@kidkraft.com

+31 20 305 8620
M-F from 09:00 to 17:30 (GMT+1)



⚠️ AVERTISSEMENT

Pour réduire le risque de blessure grave ou de décès, vous devez lire et suivre toutes ces instructions. Conservez et référez-vous à ces instructions fréquemment, et remettez-les à tout futur propriétaire de cette structure.

Félicitations pour votre achat d'un produit KidKraft! Nos produits sont fabriqués avec du bois durable de *Cunninghamia Lanceolata* de la famille du cyprès. Le bois de ces arbres est réputé pour sa légèreté et son excellente solidité. La porosité de ce bois permet à l'humidité d'être absorbée et de s'évaporer dans les fibres, résistant ainsi à la pourriture et aux insectes. Conçus pour un véritable usage ludique, nos produits doivent passer des tests de sécurité poussés. De plus, notre équipe a développé une série de méthodes propres à nos produits pour un montage plus simple et méthodique. Moins de temps de montage et plus de temps pour s'amuser, c'est notre devise! Cependant, si vous avez des questions ou des problèmes pendant le montage, n'hésitez pas à nous contacter. Notre Service Après-Vente pourra vous aider s'il manque des pièces ou pour le montage ou la maintenance.

Avertissements et instructions pour jouer en sécurité



LA SUPERVISION CONTINUE D'ADULTE EST NÉCESSAIRE. La plupart des blessures graves et des morts en lien avec le centre de jeu se sont produites lorsque des enfants étaient sans supervision! Nos produits sont conçus pour répondre aux exigences des standards de sécurité obligatoires et volontaires. Le respect de tous les avertissements et recommandations des présentes instructions réduira le risque de blessures graves ou fatales des enfants qui utilisent le centre de jeu. Revoyez régulièrement les avertissements et les instructions de sécurité avec vos enfants et assurez-vous qu'ils les comprennent et les respectent. N'oubliez pas que la supervision sur place d'un adulte est nécessaire pour les enfants de tous les âges.



AVERTISSEMENT

DANGER DE BLESSURE SÉRIEUSE À LA TÊTE

L'installation sur le ciment, l'asphalte, la terre, le gazon, le tapis ou autres surfaces dures crée un risque de blessure sérieuse ou de mort s'il y a une chute au sol. Installez et entretenez une surface absorbante sous le centre de jeu et autour du centre de jeu tel que recommandé à la page 3 des présentes instructions.

DANGER DE COLLISION

Placez le centre de jeu sur une surface nivelée à au moins 6 pieds de tout obstacle tel qu'un garage, une clôture, un poteau, un arbre, un trottoir, un mur, du bois de paysagement, des roches, une corde à linge ou des câbles électriques. (Voir la section ZONE DE SÉCURITÉ SANS OBSTACLE sur la page couverture)

DANGER D'ÉTOUFFEMENT/POINTES ET BORDS COUPANTS

Assemblage requis par un adulte. Ce produit contient de petites pièces et des pièces pointues coupantes. Éloignez les enfants jusqu'à ce que l'assemblage soit terminé.

ÉTIQUETTE D'AVERTISSEMENT

Les propriétaires sont responsables d'assurer la lisibilité des étiquettes d'avertissement.

HAZARD DE S'ÉTRANGLER

- NE PERMETTEZ JAMAIS aux enfants de jouer avec des cordes, des cordes à linge, des câbles, des chaînes ou des articles semblables à des cordes lorsqu'ils utilisent ce centre de jeu ou de fixer ces items au centre de jeu.
- NE PERMETTEZ JAMAIS aux enfants de porter des vêtements amples, des ponchos, des capuchons, des capes, des colliers, des cordes ou des attaches lorsqu'ils utilisent ce centre de jeu.
- NE PERMETTEZ JAMAIS aux enfants de porter des casques de bicyclette ou de sports lorsqu'ils utilisent ce centre de jeu.

Si vous permettez ces items, même des casques avec des courroies sous le menton, le risque de blessure sérieuse ou de mort des enfants en raison d'enchevêtrement et d'étranglement augmente.

DANGER DE BASCULEMENT

Choisissez un emplacement plat et droit. Ceci réduira la probabilité que l'aire de jeu ne bascule ou que les matériaux de remplissage ne s'évacuent en cas de fortes pluies.

NE PERMETTEZ PAS aux enfants d'utiliser le centre de jeu jusqu'à ce que l'assemblage soit terminé et que le centre de jeu soit ancré correctement.



AVERTISSEMENT

Instructions pour jouer en sécurité

- ✓ Respecter les limites de capacité de votre centre de jeu. Consultez la page couverture.
- ✓ Habillez les enfants avec des vêtements ajustés et des souliers fermés.
- ✓ Vérifiez pour voir si le bois est fendu, brisé ou craqué; Vérifiez aussi s'il y a des pièces de quincaillerie manquantes, desserrées ou coupantes. Avant de jouer, remplacez, serrez et/ou sablez tel que nécessaire.
- ✗ Ne permettez pas aux enfants de porter des chaussures dont les orteils ou le talon est exposé tel que des sandales, des flip-flop ou des clog.
- ✗ Ne laissez pas les enfants monter sur l'équipement mouillé.
- ✗ Ne permettez pas aux enfants de jouer violemment ou d'utiliser l'équipement d'une façon pour lequel il n'est pas conçu. Il peut être dangereux de monter ou de sauter d'un toit, d'une plateforme élevée, d'une balançoire, d'un appareil à grimper, d'une échelle ou d'une glissoire.



⚠ Recouvrement protecteur -

Réduire le risque de blessure sérieuse à la tête en raison de chute

Une des choses les plus importantes que vous pouvez faire pour réduire le risque de blessure grave à la tête est d'installer un recouvrement protecteur qui absorbe les chocs sous le centre de jeu et tout autour. Le recouvrement protecteur devrait être appliqué à une profondeur appropriée pour la hauteur de l'équipement selon le standard ASTM F1292. Il y a divers types de surface à choisir. Suivez ces lignes directrices en fonction du produit que vous choisissez :

Matériaux en vrac

- Maintenez une profondeur minimale de 23 cm (9 po) de matériaux en vrac tels que du paillis, des fibres de bois d'ingénierie (EWF) ou caoutchouc déchiqueté/recyclé pour de l'équipement de 2,45 m (8 pi) de haut; et de 23 cm (9 po) de sable ou de gravillon pour l'équipement jusqu'à 1,50 m (5 pi) de haut. Avec le temps, une surface initiale de 31 cm (12 po) se compactera à environ 23 cm (9 po) de profondeur. Le recouvrement se compactera, se déplacera et se tassera et devrait être raclé périodiquement pour maintenir la profondeur minimale de 23 cm (9 po).
- Utilisez un minimum de 16 cm (6 po) de recouvrement protecteur pour l'équipement de 1,22 m (4 pi) ou moins de hauteur. S'il est entretenu correctement, ceci devrait être suffisant. (À une profondeur inférieure à 16 cm (6 po), le matériel protecteur se déplace et se compacte trop facilement.)

Remarque: N'installez pas d'équipement de jeu résidentiel sur du ciment, de l'asphalte ou toute autre surface dure. Une chute sur une surface dure pourrait causer de blessures graves à l'utilisateur. Le gazon et la terre ne sont pas des recouvrements protecteurs puisque l'usure et des facteurs environnementaux peuvent réduire leur efficacité en matière d'absorption de chocs. Le tapis et les petits tapis minces ne sont pas des recouvrements protecteurs adéquats. L'équipement au sol comme un carré de sable, un mur d'activités, une maisonnette ou d'autres équipements qui ne sont pas élevés ne requiert pas de recouvrement protecteur.

- Utilisez le confinement (par exemple, creuser autour du périmètre et/ou entourer le périmètre d'une bordure de paysagement). N'oubliez pas de prendre en considération le drainage de l'eau.
- Périodiquement, raclez, vérifiez et entretenez la profondeur du matériel de recouvrement en vrac. Marquez la profondeur adéquate sur les poteaux de support de l'équipement de jeu puisque ceci vous aidera à voir où le matériel s'est tassé et doit être raclé et/ou rempli de nouveau. Assurez-vous de raclez et de redistribuer également le recouvrement aux endroits très utilisés.
- N'installez pas de matériaux en vrac sur des surfaces dures comme le ciment ou l'asphalte.

Surfaces coulées ou tuiles en caoutchouc préfabriquées

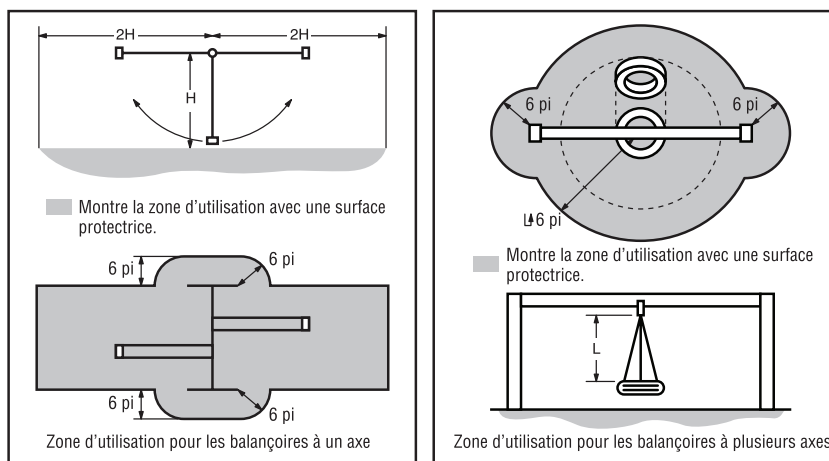
Vous pourriez utiliser un recouvrement autre que du matériel en vrac tel que des tuiles en caoutchouc ou des surfaces coulées.

- L'installation de ces surfaces requiert généralement un professionnel et ne sont pas des projets de bricolage.
- Passez en revue les caractéristiques de surface avant d'acheter ce genre de surface. Demandez à l'installateur/fabricant un rapport montrant que le produit a été testé pour respecter les standards de sécurité suivant : ASTM F1292 Standard Specification for Impact Attenuation of Surfacing Materials within the Use Zone of Playground Equipment. Ce rapport devrait montrer la hauteur particulière pour laquelle la surface est conçue pour protéger contre des blessures sérieuses à la tête. Cette hauteur devrait être la même que la hauteur de chute (distance verticale entre la surface de jeu désignée (surface élevée pour se tenir debout, s'asseoir ou grimper) et la surface de protection dessous) de votre équipement de jeu ou supérieure à celle-ci.
- Vérifiez régulièrement la surface protectrice contre l'usure.

Emplacement

Il est essentiel de choisir un bon emplacement et d'entretenir la surface protectrice. Consultez le diagramme de la page couverture. Assurez-vous:

- De prolonger la surface d'au moins 1,80 m (6 pi) de l'équipement, dans toutes les directions.

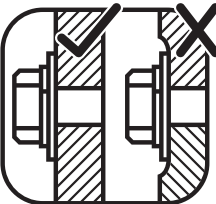
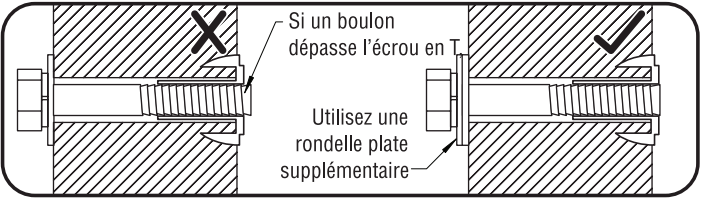


Provient du CPSC Outdoor Home Playground Safety Handbook. At <http://www.playgroundregs.com/resources/CPSC%20324.pdf>

Instructions d'entretien

Votre système de jeu KidKraft est conçu et construit avec des matériaux de qualité avec la sécurité de votre enfant en tête. Comme pour tous les produits extérieurs utilisés par les enfants, il s'usera et sera affecté par la température. Pour maximiser le plaisir, la sécurité et la longévité de votre centre de jeu, il est important que vous, le propriétaire, l'entretenez correctement.

Vérifiez ce qui suit au début de chaque saison de jeu :

<p>QUINCAILLERIE :</p> <ul style="list-style-type: none"> ✓ Vérifiez les pièces de métal pour la rouille. Si des pièces sont rouillées, sablez-les et repeinturez-les en utilisant une peinture sans plomb respectant le code 16 CFR 1303. ✓ Inspectez et serrez toutes les pièces. Sur les assemblages de bois, NE SERREZ PAS TROP puisque cela écrasera le bois et causera la fente du bois. ✓ Vérifiez s'il y a des bords tranchants ou des filets de vis qui dépassent; ajoutez des rondelles si nécessaire.   <p>SURFACE ABSORBANTE DE CHOCS :</p> <ul style="list-style-type: none"> ✓ Vérifiez s'il y a des objets étrangers. Raclez et vérifiez la profondeur des matériaux de surface protectrice (matériaux en vrac) pour éviter le compactage et maintenez la profondeur appropriée. Remplacez si nécessaire. (Consultez la section Recouvrement protecteur, page 3) 	<p>PIQUETS (ANCRES) :</p> <ul style="list-style-type: none"> ✓ Vérifiez si les pièces sont serrées, endommagées ou détériorées. Le centre de jeu devrait être fixé solidement au sol avant d'être utilisé. Resécurisez les piquets et/ou remplacez-les si nécessaire. <p>PIÈCES EN BOIS :</p> <ul style="list-style-type: none"> ✓ Vérifiez toutes les pièces en bois pour toute détérioration, fissuration ou éclatement. Sablez les éclats et remplacez les pièces détériorées. Il est normal qu'il y ait de petites fissures et fentes dans le grain du bois. ✓ L'application d'un imperméabilisant ou d'une teinture (à base d'eau) une fois par an est une tâche d'entretien importante afin de prolonger la vie et la performance du produit.
--	---

À vérifier deux fois par mois durant la saison de jeu :

<p>PIÈCES DE QUINCAILLERIE :</p> <ul style="list-style-type: none"> ✓ Assurez-vous que les pièces sont assez serrées. Elles doivent être fermement contre le bois, mais elles ne doivent pas l'écraser. NE SERREZ PAS TROP. Ceci causera la fente du bois. ✓ Vérifiez s'il y a des bords tranchants ou des filets de vis qui dépassent; Ajoutez des rondelles si nécessaire. 	<p>SURFACE ABSORBANTE DE CHOCS :</p> <ul style="list-style-type: none"> ✓ Vérifiez s'il y a des objets étrangers. Raclez et vérifiez la profondeur des matériaux de surface protectrice (matériaux en vrac) pour éviter le compactage et maintenez la profondeur appropriée. Remplacez si nécessaire. (Consultez la section Recouvrement protecteur, page 3)
--	--

À vérifier à la fin de la saison de jeu :

<ul style="list-style-type: none"> ✓ Pour prolonger leur durée de vie, retirez les balançoires et rangez-les à l'intérieur lorsque la température extérieure est inférieure à 32°F/0°C. Sous le point de congélation, les pièces de plastique pourraient devenir fragiles. 	<p>SURFACE ABSORBANTE DE CHOCS :</p> <ul style="list-style-type: none"> ✓ Raclez et vérifiez la profondeur des matériaux de surface protectrice (matériaux en vrac) pour éviter le compactage et maintenez la profondeur appropriée. Remplacez si nécessaire. (Consultez la section Recouvrement protecteur, page 3)
---	--

Si vous vous défaites de votre centre de jeu : Veuillez désassembler et vous défaites du centre de jeu afin qu'il ne crée pas de danger excessif lorsque vous vous en défaites. Assurez-vous de suivre les ordonnances de déchets de votre région.

À propos de notre bois

Les systèmes KidKraft Premium Play utilisent du bois 100 % FSC. Bien que nous attachions un grand soin au choix du meilleur bois disponible, ce bois demeure un produit issu de la nature et sensible aux intempéries qui peuvent dénaturer l'apparence de votre aire de jeux.

Qu'est-ce qui cause ces altérations atmosphériques? Est-ce que cela affecte la solidité de mon centre de jeu?

L'une des principales raisons expliquant ces altérations atmosphériques est l'eau (l'humidité); la teneur en humidité du bois à la surface est différente de celle à l'intérieur de celui-ci. Quand la température change, des variations d'humidité entraînent une tension du bois pouvant occasionner fissuration et gauchissement. Voici certains des changements qui peuvent survenir à la suite de ces altérations. Ces changements n'affectent pas la solidité du bois.

1. **Le fissurage** correspond à des fissures superficielles du bois dans le sens des fibres. Les matériaux de 4 x 4 po risquent de présenter plus de fissures que les matériaux de 1 x 4 po puisque la teneur en humidité à l'intérieur du bois et en surface varie plus que dans le bois mince.
2. **Le gauchissement** est le résultat d'une déformation (torsion, évasement) du bois souvent lié au mouillage et au séchage rapide du bois.
3. **L'atténuation de la couleur** du bois arrive naturellement quand le bois est exposé au soleil et finit avec le temps par prendre une teinte grise.

Comment réduire ces altérations à mon centre de jeu?

À l'usine, nous avons appliqué sur le bois un imperméabilisant ou une teinture. Ce produit diminue l'absorption de l'eau quand il pleut ou neige, ce qui réduit la tension dans le bois. Le soleil finira par altérer ce produit, l'application d'un imperméabilisant ou d'une teinture une fois par an est une tâche d'entretien importante. (visitez votre fournisseur de peinture/teinture de votre région afin qu'il vous recommande un produit).

La plupart des altérations atmosphériques sont d'ordre naturel et n'affecteront pas les conditions de jeu ni le plaisir de votre enfant. Cependant, si vous pensez qu'une pièce a subi des altérations importantes, appelez notre service à la clientèle pour plus de renseignements.

Remplissez et postez une carte d'inscription pour recevoir des avis importants sur les produits ou pour assurer le service de garantie rapide.

Garantie limitée de 5 ans

KidKraft garantit que ce produit n'a pas de défaut de matériel ou de fabrication pour une période d'un an suivant la date d'achat original. De plus, le bois est garanti pour 5 ans contre une défaillance structurelle en raison de la pourriture et de dommages occasionnés par les insectes. Toutes les autres pièces comme les pièces de quincaillerie, les balançoires, les appareils, les accessoires et les glissoires ont une garantie d'un an seulement.

Cette garantie s'applique au propriétaire original et inscrit et n'est pas transférable.

Un entretien régulier est nécessaire pour assurer l'intégrité de votre centre de jeu. Le défaut d'entretien du produit par son propriétaire selon les consignes d'entretien peut annuler cette garantie. Cette garantie ne couvre pas de frais d'inspection.

Cette garantie limitée ne couvre pas ce qui suit :

- Main-d'œuvre pour remplacement de pièce(s) défectueuse(s);
- Dommages accessoires ou immatériels;
- Défauts cosmétiques qui n'affectent pas la performance ou l'intégrité;
- Vandalisme; installation incorrecte; utilisation non appropriée; actes de la nature;
- Torsion, gauchissement, fissuration mineur et tout autre changement du bois qui n'affecte pas la performance ou l'intégrité.

Les produits KidKraft ont été conçus pour qu'ils soient sécuritaires et de qualité. Toute modification apportée au produit original pourrait endommager l'intégrité structurelle de l'unité, ce qui pourrait résulter en une défaillance ou blessure possible. KidKraft ne peut être tenue responsable des produits modifiés. De plus, toute modification annule toutes les garanties.

Ce produit est garanti pour l'**UTILISATION RÉSIDENNELLE SEULEMENT**. Un centre de jeu KidKraft ne devrait JAMAIS être utilisé dans des endroits publics tels que les écoles, églises, terrains de jeu, parcs, garderies, etc. Ce genre d'utilisation pourrait résulter en défaillance ou blessures possibles. Toute utilisation dans un endroit public annule cette garantie. KidKraft dénie toutes autres représentations et garanties de toute sorte, explicites ou implicites.

Cette garantie vous donne des servitudes légales précises. Vous pourriez aussi avoir d'autres servitudes variant d'un état à un autre ou d'une province à une autre. Cette garantie exclut tout dommage immatériel. Cependant, certains états ne permettent pas la prescription ou l'exclusion des dommages immatériels et pour cette raison, cette prescription pourrait ne pas s'appliquer à vous.

ESCONDITE Y PLATAFORMA DE ESCALADA EN FORMA DE A



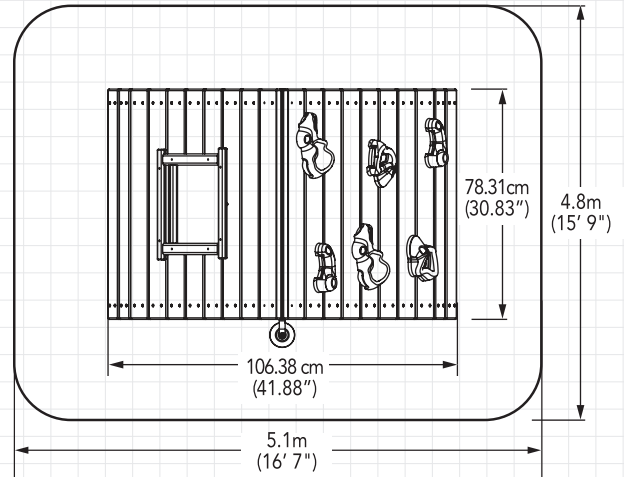
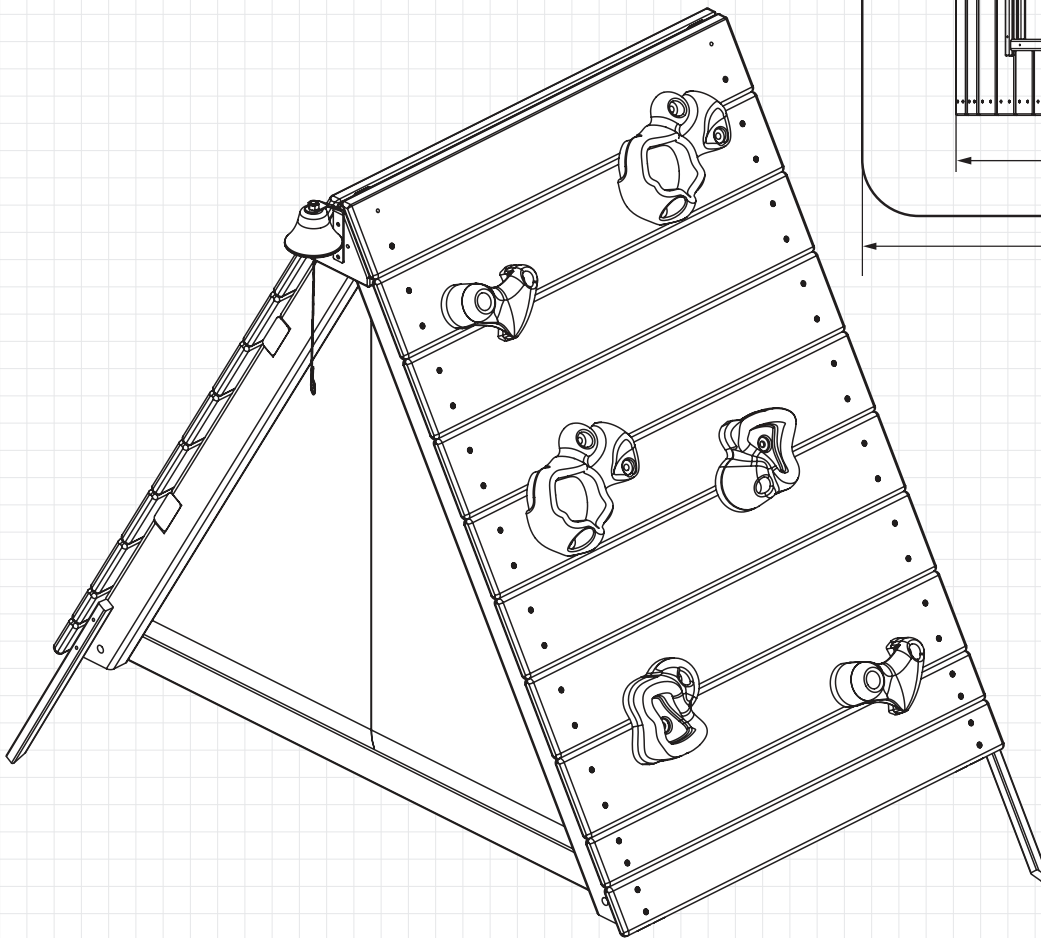
ZONA DE SEGURIDAD LIBRE DE OBSTACULOS - 16' 7" X 15' 9" (5.1 X 4.8 m)

ALTURA MÁXIMA DE CAÍDA VERTICAL: 3' (0.916 m)

CAPACIDAD - se recomienda un máximo de 2 niños para esta unidad. Nota: solo un niño sube en cualquier momento.

De 3 a 5 años; límite de peso: 50 libras (22.6 kg) por niño.

SÓLO PARA USO DOMÉSTICO RESIDENCIAL. No destinado para áreas públicas como escuelas, iglesias, guarderías o parques. Solo para uso doméstico.



INSTRUCCIONES DE INSTALACIÓN Y OPERACIÓN

PARA SOLICITUDES ONLINE DE PIEZAS DE REPUESTO DE MANERA ININTERRUMPIDA

parts.kidkraft.com

KidKraft, Inc.
4630 Olin Road
Dallas, Texas 75244
USA

customerservice@kidkraft.com

1.800.933.0771
972.385.0100

parts.kidkraft.eu

KidKraft Netherlands BV
Olympisch Stadion 8
1076 DE Ámsterdam
Países Bajos

europecustomerservice@kidkraft.com

+31 20 305 8620
M-F from 09:00 to 17:30 (GMT+1)



⚠️ ADVERTENCIA

Para reducir el riesgo de lesiones severas o la muerte, debe leer y seguir estas instrucciones. Conserve y consulte estas instrucciones con frecuencia y entréguelas al futuro dueño de este juego.

¡Enhorabuena por haber adquirido un producto de KidKraft! Nuestros artículos están elaborados en madera duradera y de calidad superior de Cunninghamia lanceolata, un árbol de la familia del cedro. La madera de estos árboles se caracteriza por su ligereza y su excelente resistencia. La porosidad de esta madera favorece la absorción y evaporación de la humedad en las fibras, y evita su deterioro y la presencia de insectos. Nuestros productos, diseñados para pasar horas de juego estupendas, también se someten a minuciosas pruebas de seguridad. Además, nuestro equipo ha desarrollado una serie de métodos patentados que simplifican y hacen más organizado el montaje. «Menos tiempo de montaje para disfrutar de más horas de juego» es nuestro lema. Aun así, si durante el montaje le surge alguna duda o pregunta, no dude en ponerse en contacto. Nuestro servicio de Atención al cliente le ayudará con las piezas que falten, las instrucciones o el mantenimiento de los productos.

Advertencias e Instrucciones de Juego Seguro



SE REQUIERE SIEMPRE SUPERVISIÓN DE UN ADULTO. ¡Las lesiones más graves y las muertes en equipos de parques infantiles han ocurrido mientras los niños no estaban supervisados! Nuestros productos están diseñados para cumplir con las normas de seguridad obligatorias y voluntarias. El cumplimiento de todas las advertencias y recomendaciones de estas instrucciones reducirá el riesgo de lesiones graves o mortales a los niños que usen este sistema de juego. Revise regularmente las advertencias y las instrucciones de juego seguro con sus hijos y asegúrese de que las entiendan y las sigan. Recuerde que la supervisión de un adulto en el lugar es necesaria para niños de todas las edades.

ADVERTENCIA

RIESGO SERIO DE LESIONES EN LA CABEZA

La instalación sobre concreto, asfalto, suciedad, hierba, alfombra y otras superficies duras crea un riesgo de lesiones graves o la muerte por caídas al suelo. Instale y mantenga material amortiguador debajo y alrededor del parque infantil, como se recomienda en la página 3 de estas instrucciones.

RIESGO DE COLISIÓN

Coloque el parque infantil en un terreno nivelado a al menos 2 m de cualquier obstáculo, como garaje o casa, cercas, postes, árboles, aceras, paredes, bosques de paisaje, rocas, pavimento, plantadores, bordes de jardín, ramas colgantes, cuerdas para tender ropa y cables eléctricos.

(Ver ZONA DE SEGURIDAD LIBRE DE OBSTÁCULOS en la portada)

PELIGRO DE ASFIXIA/BORDES Y PUNTAS AFILADAS

Requiere montaje por un adulto. Este producto contiene piezas pequeñas y piezas con bordes y puntas afiladas. Mantenga las piezas lejos de los niños hasta que estén completamente ensambladas.

ETIQUETA DE PRECAUCIÓN

Los propietarios serán responsables de mantener la legibilidad de las etiquetas de advertencia.

PELIGRO DE ESTRANGULACION

- NUNCA permita que los niños jueguen con sogas, cuerdas para tender ropa, correas para mascotas, cables, cadenas o artículos parecidos a un cordón al usar este parque infantil, ni unir estos artículos al parque infantil.
- NUNCA permita que los niños usen ropa suelta, ponchos, capuchas, bufandas, capas, collares, artículos con cordones, cordones o corbatas cuando usen este parque infantil.
- NUNCA permita que los niños usen cascos de bicicleta o de deporte cuando usen este parque infantil.

No prohibir estos artículos, incluso cascos con correas mentoneras, aumenta el riesgo de lesiones graves y la muerte de los niños por enredos y estrangulación.

PELIGRO DE VOLCAMIENTO

Elija una ubicación de nivel para el equipo. Esto puede reducir la probabilidad de que el parque infantil se vuelque y que los materiales de superficie de relleno suelto se vayan con fuertes lluvias.

NO permita que los niños jueguen en el parque infantil hasta que el montaje esté completo y la unidad esté correctamente anclada.



ADVERTENCIA – Instrucciones de Juego Seguro

- ✓ Observe las limitaciones de capacidad de su parque infantil. Ver portada.
- ✓ Vista a los niños con calzado bien ajustado y que cubra todo el pie.
- ✓ Compruebe si hay madera astillada, rota o agrietada; partes faltantes, sueltas o afiladas. Reemplace, apriete y/o lije liso según sea necesario antes de jugar.
- ✗ No permita que los niños usen calzado abierto en los dedos o en el talón como sandalias, chancas o zuecos.
- ✗ No permita subirse al equipo cuando esté húmedo.
- ✗ No permita juego brusco o uso del equipo de una manera para la cual no fue pensado. Pararse o saltar desde el techo, de plataformas elevadas, columpios, escaladores, escaleras o el tobogán puede ser peligroso.



⚠️ Revestimiento Protector – Reducción del Riesgo de Sufrir Lesiones en la Cabeza por Caídas

Una de las cosas más importantes que puede hacer para reducir la posibilidad de sufrir lesiones graves en la cabeza es instalar un revestimiento amortiguador por debajo y alrededor del equipo de juegos. El revestimiento protector debe tener una profundidad acorde a la altura del equipo de conformidad con las normas ASTM F1292. Hay diferentes tipos de revestimientos para elegir; cualquiera sea el que elija, siga estas instrucciones:

Materiales de Relleno Suelto

- Mantenga una profundidad mínima de 23 cm de materiales de relleno suelto, como acolchado/viruta de madera, aserrín sintético, o acolchado de goma triturada/reciclada, para equipos de hasta 2.4 m de alto; y 23 cm de arena o gravilla para equipos de hasta 1.5 m de alto. NOTA: Un nivel de relleno inicial de 30.5 cm se comprimirá con el tiempo a 23 cm. El revestimiento también se compactará, desplazará y asentará, y debe ser rastrillado y rellenado periódicamente para mantener, al menos, 23 cm de profundidad.
- Utilice un revestimiento protector de, al menos, 15 cm para los equipos de juegos de menos de 1.2 m de alto. Si se lo mantiene en condiciones, esto debería ser lo adecuado. (En profundidades menores a 15 cm, el material protector se desplaza o compacta muy fácilmente.)

NOTA: No instale el equipo de juegos sobre concreto, asfalto o ninguna otra superficie dura. Una caída en una superficie dura puede provocar graves lesiones. El pasto y la tierra no son revestimientos protectores debido a que los factores ambientales y de desgaste pueden reducir la efectividad de su amortiguación. Las alfombras y los tapetes delgados no son revestimientos protectores adecuados. Los equipos a nivel del suelo –como los areneros, paredes de actividades, casas de juegos u otros equipos que no tengan superficies de juego elevadas- no necesitan revestimiento protector.

- Utilice una contención, como una zanja alrededor del perímetro y/o recubrimiento perimetral con plantas. No se olvide del drenaje de agua
- Rastrille, verifique y mantenga periódicamente la profundidad del material de relleno suelto. Marcar la profundidad correcta en los postes de soporte del equipo de juegos lo ayudará a ver cuando el material se ha asentado y necesita ser rastrillado o rellenado. Asegúrese de rastrillar y redistribuir el revestimiento en forma pareja en las áreas más utilizadas.
- No instale un revestimiento de relleno suelto sobre superficies duras, como concreto o asfalto.

Revestimientos Vertidos In Situ o Baldosas de Goma Prefabricadas

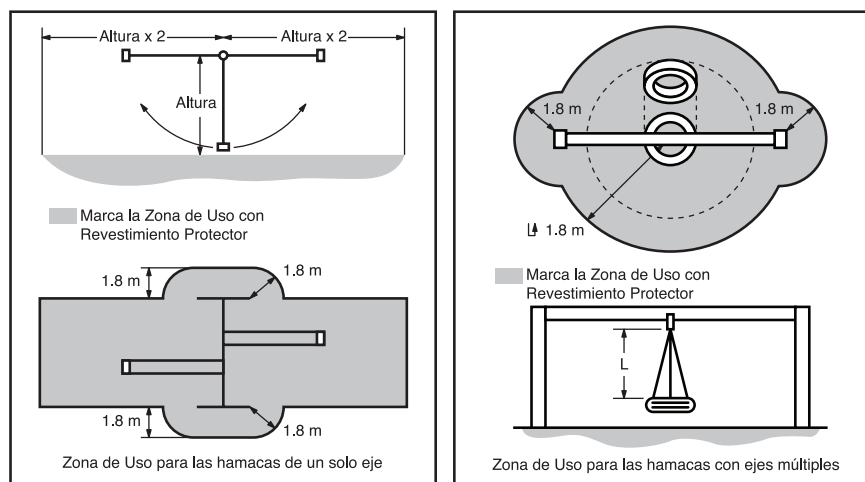
Tal vez prefiera utilizar revestimientos que no sean de material de relleno suelto – como baldosas de goma o revestimientos vertidos in situ.

- La instalación de estas superficies generalmente requieren de la contratación de un profesional y no son “hágalo usted mismo”.
- Revise las especificaciones de la superficie antes de comprar este tipo de revestimiento. Pida al instalador/fabricante un informe que demuestre que el producto ha sido probado y que cumple con la norma de seguridad ASTM F1292 Especificación Estándar para Atenuación de Impactos de los Materiales de Revestimiento dentro de la Zona de Uso de Equipos de Juegos. Este informe debe mostrar la altura específica para la que la superficie debe proteger de lesiones graves en la cabeza. Esta altura debe ser igual o mayor a la altura de la caída –distancia vertical entre una determinada superficie de juego (superficie elevada para pararse, sentarse o treparse) y el revestimiento protector que está debajo del equipo de juegos.
- Verifique con frecuencia que el revestimiento protector no esté gastado.

Colocación

La correcta colocación y mantenimiento del revestimiento protector es fundamental. Vea el diagrama en la tapa. Asegúrese de:

- Extender el revestimiento hasta, por lo menos, 1.8 m del equipo en todas las direcciones.



Indicaciones del Manual de Seguridad para Juegos de Jardín de CPSC. Disponible en <http://www.playgroundregs.com/resources/CPSC%20324.pdf>

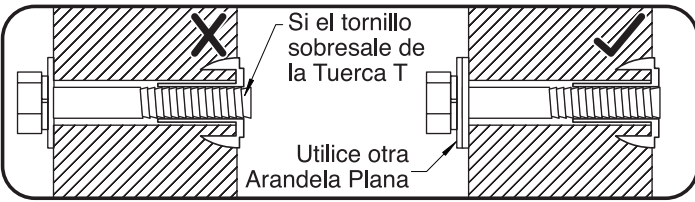
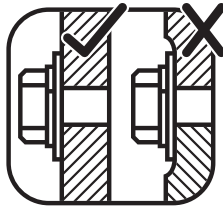
Instrucciones para un Mantenimiento Adecuado

El Sistema de Juegos KidKraft está diseñado y construido con materiales de calidad, pensando en la seguridad de sus hijos. Como ocurre con todos los juegos para niños que quedan a la intemperie, sufrirá desgates. Para maximizar el disfrute, la seguridad y la vida útil de Equipo de Juegos, es importante que usted, como dueño, lo mantenga adecuadamente.

Verifique lo siguiente al comienzo de la temporada de uso:

PIEZAS METÁLICAS:

- ✓ Verifique que no haya piezas metálicas oxidadas. Si encuentra alguna, líjela y vuelva a pintarla utilizando una pintura sin plomo que cumpla con las normas 16 CFR 1303.
- ✓ Revise y ajuste todas las piezas metálicas. Para los montajes en madera, **NO AJUSTE DE MÁS** las piezas metálicas ya que podría romper o astillar la madera.
- ✓ Verifique que no haya bordes filosos o roscas de tornillos sobresalientes; de ser necesario, agregue arandelas.



REVESTIMIENTO AMORTIGUADOR:

- ✓ Verifique que no haya objetos extraños. Rastrille y verifique la profundidad del relleno del revestimiento protector para evitar su compactación y mantener una profundidad adecuada. Reemplácelo cuando fuera necesario. (Ver Revestimiento Protector, página 3).

ESTACAS (ANCLAJES):

- ✓ Verifique que no haya ningún anclaje suelto, dañado o deteriorado. La unidad debe estar firmemente anclada al suelo durante su uso. Vuelva a asegurarlos o reemplácelos si fuera necesario.

PIEZAS DE MADERA:

- ✓ Verifique que las piezas de madera no estén deterioradas, tengan daños estructurales o estén astilladas. Lije las astillas y cambie las piezas deterioradas. Como con todas las maderas, es normal que haya alguna fisura o grieta pequeña.
- ✓ Si no tienen una capa protectora, su aspecto desmejorará con el tiempo. La aplicación periódica de un impermeabilizante exterior o barniz (al agua) ayudará a mejorar el aspecto y la vida útil de la madera.

Verifique lo siguiente dos veces al mes durante la temporada de uso:

PIEZAS METÁLICAS:

- ✓ Verifique que estén bien ajustadas. Deben estar firmes pero sin triturar la madera, **NO AJUSTE DE MÁS** ya que podría astillar la madera.
- ✓ Verifique que no haya bordes filosos o roscas de tornillos sobresalientes. De ser necesario, coloque más arandelas.

REVESTIMIENTO AMORTIGUADOR:

- ✓ Rastrille y verifique la profundidad del relleno del revestimiento protector para evitar su compactación y mantener una profundidad adecuada. Cámbielo cuando fuera necesario. (Ver Revestimiento Protector, página 3).

Verifique lo siguiente al final de la temporada de uso:

- ✓ Para prolongar su vida útil, retire las hamacas y guárdelas en el interior cuando la temperatura exterior esté por debajo de los 32°F/0°C. Por debajo de esta temperatura, las partes plásticas pueden volverse más quebradizas.

REVESTIMIENTO AMORTIGUADOR:

- ✓ Rastrille y verifique la profundidad del relleno del revestimiento protector para evitar su compactación y mantener una profundidad adecuada. Cámbielo cuando fuera necesario. (Ver Revestimiento Protector, página 3).

Si se va a deshacer de su equipo de juegos: Por favor, desmóntelo y deseche el equipo de manera de no generar ningún peligro. Asegúrese de cumplir con las ordenanzas locales sobre eliminación de desechos.

Acerca de Nuestra Madera

El Sistema de Juegos Premium de KidKraft utiliza 100% madera FSC. Si bien nos preocupamos por seleccionar la madera de mejor calidad, éste es un producto de la naturaleza, que puede deteriorarse con el tiempo y modificar la apariencia del equipo.

¿Qué causa el deterioro? ¿Afecta a la fortaleza de mi Sistema de Juegos?

Una de las principales razones del deterioro de la madera es el efecto del agua (humedad); el contenido de humedad de la madera en la superficie es diferente al de su interior. A medida que cambia el clima, la humedad entra o sale de la madera provocando tensión, lo que puede ocasionar fisuras o arqueos. Con el deterioro, es posible que ocurran los siguientes cambios, que no afectan a la fortaleza del producto:

1. **Fisuras:** son grietas en la superficie de la madera a lo largo de la veta. Un poste (de 10 cm x 10 cm) tendrá más fisuras que una plancha (de 2.5 cm x 10 cm) porque el contenido de humedad de la superficie y el interior varía más que en la madera delgada.
2. **Arqueo:** es el resultado de una distorsión (torcedura, ahuecamiento) del plano original de la plancha y generalmente ocurre cuando la madera se moja y seca rápidamente.
3. **Decoloración:** ocurre como un cambio natural en el color de la madera por su exposición a la luz del sol, y se torna grisácea con el paso del tiempo.

¿Cómo puedo reducir el deterioro de mi Sistema de Juegos?

En la fábrica hemos recubierto la madera con un impermeabilizante o barniz. Este recubrimiento reduce la cantidad de agua que absorbe la madera durante las lluvias o nevadas, disminuyendo la tensión. La luz del sol resquebraja el recubrimiento, por lo que recomendamos aplicar un impermeabilizante o barniz nuevo todos los años (pida a su proveedor local de barnices y pinturas que le recomiende algún producto).

Mayormente, el deterioro se produce como resultado de las fuerzas de la naturaleza y no afecta la seguridad ni la diversión de sus hijos. Pero, si está preocupado por alguna pieza en particular que haya sufrido algún problema grave de deterioro, por favor llame a nuestro departamento de atención al cliente para solicitar asistencia.

Complete y envíe por correo la tarjeta de registro para recibir notificaciones importantes sobre el producto y asegurar un rápido servicio de garantía.

Garantía Limitada por 5 Años

KidKraft garantiza que este producto no contiene materiales ni mano de obra defectuosa por un período de un año a partir de la fecha de compra original. Además, la madera tiene garantía por 5 años contra fallas estructurales por putrefacción y daños causados por insectos. Todas las demás piezas, como las partes metálicas, las hamacas, juegos y accesorios y toboganes tienen garantía solo por un año. Esta garantía se aplica al dueño original registrado y no es transferible. Se requiere mantenimiento regular para asegurar la integridad del Sistema de Juegos. Esta garantía no cubre los costos de inspección.

Esta Garantía Limitada no cubre:

- Mano de obra por recambio de cualquier pieza fallada;
- Daños incidentales o emergentes;
- Defectos cosméticos que no afecten la performance o integridad;
- Vandalismo; uso o instalación inadecuada; actos de la naturaleza;
- Torceduras, arqueo o fisuras menores, o cualquier otra deformación que sufra la madera en forma natural que no afecte su performance o integridad.

Los productos de KidKraft han sido diseñados para ofrecer seguridad y calidad. Cualquier modificación que se realice en el producto original podría dañar la integridad estructural de la unidad y provocar fallas y posibles accidentes. KidKraft no puede asumir ninguna responsabilidad por los productos que han sido modificados. Asimismo, las modificaciones anulan todas y cada una de las garantías.

Este producto está garantizado **SOLO PARA USO RESIDENCIAL**. Bajo ninguna circunstancia se debe utilizar el Sistema de Juegos de KidKraft en espacios públicos, como escuelas, iglesias, áreas de recreación, plazas, guarderías y lugares similares. El uso en dichos lugares podría generar una falla en el producto y potenciales accidentes. El uso público anulará esta garantía. KidKraft se exime de cualquier otra declaración y garantía de cualquier naturaleza, tanto explícita como implícita.

Esta Garantía le otorga derechos legales específicos. Usted puede tener otros derechos también, que al estado o provincia. Esta garantía excluye los daños emergentes, pero algunos estados no permiten exclusión de los daños emergentes, por lo que esta limitación puede no ser aplicable para usted.

A-RAHMEN VERSTECK & GERÜST

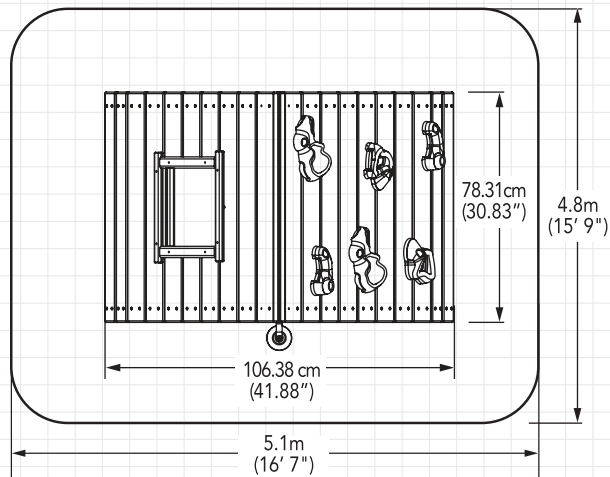
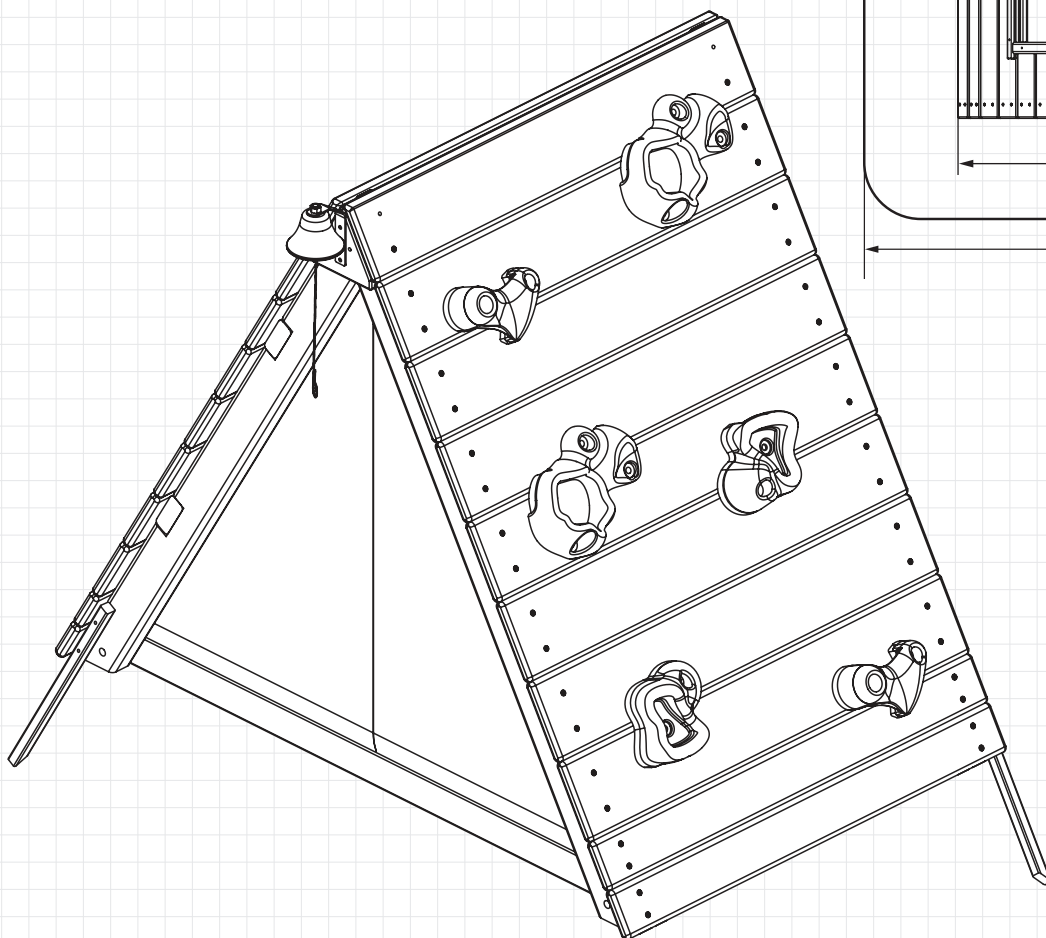


SICHERHEITZONE OHNE HINDERNISSE: Eine Fläche von 16' 7" X 15' 9" (5.1 X 4.8 m) muss mit einem schützenden Bodenbelag ausgelegt werden.

MAXIMALE FALLHÖHE: 3' (0.916 m).

KAPAZITÄT - Für dieses Gerät werden maximal 2 Kinder empfohlen. Hinweis: Es klettert immer nur ein Kind. Alter 3 bis 5; Höchstgewicht: 22.6 kg pro Kind.

NUR FÜR DEN HAUSGEBRAUCH. Nicht für öffentliche Bereiche wie Schulen, Kirchen, Kindergärten, Tagesstätten oder Parks geeignet.



INSTALLATIONS - UND BETRIEBSANLEITUNGEN

ONLINE-ERSATZTEILE RUND UM DIE UHR

parts.kidkraft.com

KidKraft, Inc.
 4630 Olin Road
 Dallas, Texas 75244
 USA

customerservice@kidkraft.com

1.800.933.0771
 972.385.0100

parts.kidkraft.eu

KidKraft Netherlands BV
 Olympisch Stadion 8
 1076 DE Amsterdam
 Niederlande

europecustomerservice@kidkraft.com

+31 20 305 8620
 Mo-Fr von 9:00 bis 17:30 (GMT+1)




⚠️ WARNUNG

Um die Gefahr schwerer Verletzungen oder Todesfälle zu verringern, müssen Sie diese Anleitung lesen und befolgen. Bewahren Sie diese Anleitungen auf, schauen Sie sie regelmäßig an und geben Sie sie an zukünftige Besitzer der Spielsset weiter.

Herzlichen Glückwunsch zum Kauf eines KidKraft Produkts! Unsere Artikel werden aus dem hochwertigen, beständigen Holz der Spießtanne (*Cunninghamia lanceolata*) gefertigt, die zur Familie der Zypressengewächse zählt. Das Holz dieser Bäume ist für seine Leichtigkeit und seine außerordentliche Festigkeit bekannt. Dank seiner Porosität kann es Feuchtigkeit absorbieren, die dann über die Fasern verdunstet. Dadurch ist das Holz resistent gegen Fäulnis und Schädlingsbefall. Damit die Kinder ganz unbekümmert spielen können, werden unsere Produkte rigorosen Tests unterzogen. Darüber hinaus hat unser Team innovative Methoden entwickelt, durch die sich unsere Produkte mühelos zusammenbauen lassen. So bleibt noch mehr Zeit zum Spielen. Falls Sie trotzdem einmal beim Aufbau nicht mehr weiter wissen, wenden Sie sich einfach an uns. Unser Kundenserviceteam hilft Ihnen gern bei fehlenden Teilen sowie bei Fragen zur Anleitung oder Wartung.

Warnhinweise und Anweisungen für sicheres Spielen

 **NUR UNTER AUFSICHT VON ERWACHSENEN BENUTZEN.** Die meisten schweren bzw. tödlichen Unfälle auf Spielplätzen passieren, wenn die Kinder ohne Aufsicht spielen! Unsere Produkte halten vorschriftsmäßige und freiwillige Sicherheitsrichtlinien ein. Die Einhaltung aller Warnhinweise und Empfehlungen in dieser Anleitung verringert das Risiko einer schweren oder tödlichen Verletzung bei der Nutzung dieses Spielsets. Lesen Sie die Warnungen und Sicherheitshinweise regelmäßig mit Ihren Kindern durch und stellen Sie sicher, dass diese sie auch verstehen und einhalten. Bitte beachten: Kinder aller Altersgruppen dürfen das Spielset nur unter Aufsicht von Erwachsenen benutzen.

WARNUNG

RISIKO VON SCHWEREN KOPFVERLETZUNGEN

Der Aufbau auf Beton, Asphalt, Erde, Gras, Teppich und anderen harten Oberflächen erhöht das Risiko von schweren oder tödlichen Verletzungen durch Stürze. Installieren Sie, wie auf Seite 3 der Bedienungsanleitung empfohlen, einen schützenden Bodenbelag unter dem Spielset und direkt darum herum.

KOLLISIONSGEFAHR

Bauen Sie das Spielset auf einer ebenen Oberfläche und mindestens in 2 m Entfernung zu Hindernissen wie Garagen, Häusern, Zäunen, Pfosten, Bäumen, Bürgersteigen, Mauern, Bauhölzern, Steinen, Pflastern, Blumentöpfen, Gartenbegrenzungen, hängenden Ästen, Wäscheleinen und Stromleitungen auf. (siehe HINDERNISFREIER SICHERHEITSBEREICH auf der Titelseite).

ERSTICKUNGSGEFAHR/SCHARFE SPITZEN UND KANTEN

Aufbau durch Erwachsene erforderlich. Dieses Produkt enthält Kleinteile sowie Teile mit scharfen Spitzen und Kanten. Nicht zusammengebaute Teile müssen sich außerhalb der Reichweite von Kindern befinden.

WARNHINWEISE

Die Inhaber sind für die Lesbarkeit der Warnhinweise verantwortlich.

STRANGULIERUNGSGEFAHR

- Lassen Sie Kinder NIEMALS mit Seilen, Wäscheleinen, Hundeleinen, Kabeln, Ketten oder seilähnlichen Objekten spielen oder sie an diesem Spielset befestigen.
- Lassen Sie die Kinder NIEMALS mit dem Spielset spielen, wenn sie weite Kleidung, Ponchos, Kapuzen, Schals, Umhänge, Halsketten oder andere Kleidung mit Kordelzügen, Seilen oder Bändern tragen.
- Lassen Sie die Kinder NIEMALS mit dem Spielset spielen, wenn sie einen Helm tragen.

Das Tragen dieser Objekte, inklusive von Helmen mit Kinnriemen, erhöht das Risiko schwerer und tödlicher Verletzungen für Kinder durch Verfangen und Strangulierung.

KIPPGEFAHR

Bauen Sie das Spielset auf einer ebenen Oberfläche auf. Dies verringert die Gefahr, dass das Spielset kippt oder lose Polstermaterialien bei schwerem Regenfall weggeschwemmt werden.

Lassen Sie Kinder UNTER KEINEN UMSTÄNDEN auf dem Spielset spielen, bevor es komplett aufgebaut und ordnungsgemäß befestigt ist.

WARNUNG – Anweisungen für sicheres Spielen

- ✓ Beachten Sie die Belastungsgrenze des Spielsets. Siehe Titelseite.
- ✓ Kinder dürfen bei Nutzung des Spielsets keine locker sitzende Kleidung oder offene Schuhe tragen.
- ✓ Prüfen Sie, dass das Holz nicht abgesplittert, gebrochen oder rissig ist oder Metallteile fehlen, locker sitzen oder spitz oder scharfkantig sind. Ersetzen Sie sie gegebenenfalls vor dem Spiel oder drehen Sie sie fest oder schleifen Sie sie ab.
- ✗ Die Kinder dürfen keine hinten oder vorne offenen Schuhe wie Sandalen, Flipflops oder Clogs tragen.
- ✗ Erlauben Sie den Kindern nicht, auf nasse Geräte zu klettern.
- ✗ Erlauben Sie kein wildes Spielen oder eine ungeeignete Nutzung des Spielsets. Es kann gefährlich sein, auf dem Dach, der Rutsche, hoch liegenden Plattformen, Schaukeln, Gerüsten oder Leitern zu stehen oder davon herunterzuspringen.

! Schützender Bodenbelag – Verringerung des Risikos schwerer Kopfverletzungen durch Stürze.

Eine der besten Maßnahmen, die Sie ergreifen können, um schwere Kopfverletzungen zu verhindern, ist die Installation eines dämpfenden, schützenden Bodenbelags unter dem Spielsatz und darum herum. Gemäß der Norm ASTM F1292 sollte die Stärke des schützenden Bodenbelags für die jeweilige Höhe des Spielsatzes geeignet sein. Sie können unter verschiedenen Bodenbelägen wählen, aber beachten Sie bitte folgende Richtlinien:

Polstermaterialien

- Verwenden Sie für Geräte mit bis zu 2,45 m Höhe mindestens 23 cm lose Polstermaterialien wie Mulch, Holzsplitter, verarbeitete Holzfasern bzw. zerkleinerten oder recycelten Gummimulch und für Geräte mit bis zu 1,5 m Höhe mindestens 23 cm Sand oder feinen Kies. HINWEIS: Ein anfänglich 30 cm dicker Bodenbelag aus Polstermaterialien wird im Laufe der Zeit zu 23 cm verdichtet. Die Oberfläche wird sich mit der Zeit auch verdichten, setzen und verschieben und sollte regelmäßig geharkt und aufgefüllt werden, um eine Mindeststärke von 23 cm beizubehalten.
- Für Geräte mit bis zu 1,2 m Höhe sollten Sie Polstermaterialien mit einer Mindesthöhe von 15 cm aufschütten. Bei angemessener Pflege sollte dies genügen. Bei Polstern mit einer Höhe von weniger als 15 cm kann sich das Schutzmaterial leicht verschieben oder verdichten.

HINWEIS: Bauen Sie Spielgeräte für den Heimbedarf nicht auf Beton, Asphalt oder anderen harten Oberflächen auf. Der Sturz auf eine harte Oberfläche kann zu schweren Verletzungen beim Nutzer des Spielgeräts führen. Rasen und Erde gelten nicht als schützende Bodenbeläge, da Nutzung und Umweltfaktoren deren dämpfenden Eigenschaften beeinträchtigen können. Teppiche und dünne Matten sind keine angemessenen schützenden Bodenbeläge. Bei ebenerdigen Spielgeräten (Sandkästen, Spielhäuser und Spielsätze ohne erhöhte Plattformen) ist kein schützender Bodenbelag erforderlich.

- Befestigen Sie die Fläche mit einer Erdaushebung und/oder einer Einfassung. Achten Sie dabei auch auf eine geeignete Drainage.
- Harken Sie das Polstermaterial regelmäßig, prüfen Sie die Tiefe des losen Polstermaterials und füllen Sie es gegebenenfalls auf. Wenn Sie auf den Stützbalken des Spielsatzes die richtige Tiefe markieren, können Sie leichter feststellen, ob sich das Polstermaterial verdichtet hat und geharkt und/oder aufgefüllt werden muss. Stellen Sie sicher, dass Sie das Polstermaterial unter besonders beanspruchten Bereichen gut harken und ebenmäßig verteilen.
- Verwenden Sie auf harten Oberflächen wie Beton oder Asphalt keine losen Polstermaterialien.

Vor Ort gegossene Bodenbeläge oder Gummiplatten

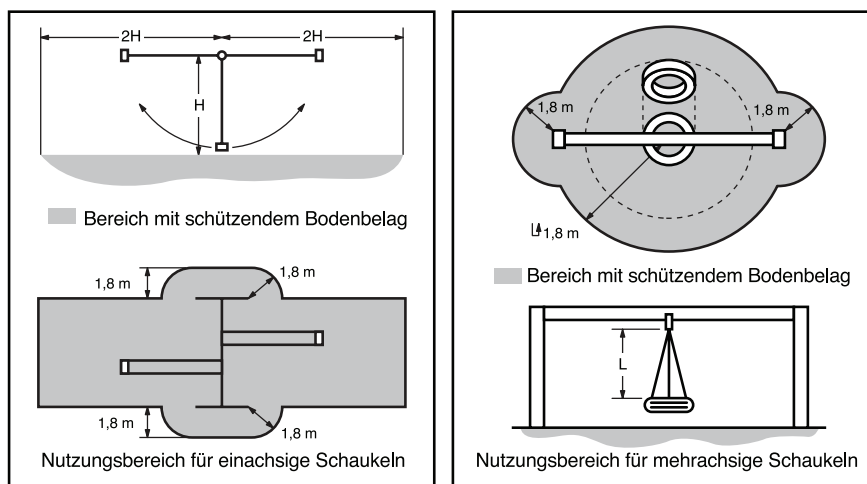
Sie können statt losen Polstermaterialien auch andere Schutzbeläge verwenden, beispielsweise Gummiplatten oder vor Ort gegossene Bodenbeläge.

- Diese Bodenbeläge sollten fachmännisch verlegt werden.
- Überprüfen Sie vor dem Kauf die Beschreibungen des Bodenbelags. Bitten Sie den Installateur/Hersteller um einen Bericht, der bestätigt, dass das Produkt die folgenden Sicherheitsnormen erfüllt: ASTM F1292 *Standard Specification for Impact Attenuation of Surfacing Materials within the Use Zone of Playground Equipment*. Diesem Bericht sollte entnehmen zu sein, für welche Gerätehöhe der Bodenbelag geeignet ist, damit er ausreichend vor schweren Kopfverletzungen schützt. Diese Höhe sollte der Fallhöhe entsprechen oder diese übertreffen. Dabei handelt es sich um den Abstand der Spielfläche (erhöhte Plattform zum Stehen, Sitzen oder Klettern) und dem schützenden Bodenbelag.
- Prüfen Sie den Bodenbelag regelmäßig auf Abnutzung.

Installation

Die ordnungsgemäße Installation und Wartung des Bodenbelags ist unumgänglich. Siehe Diagramm auf der Titelseite. Stellen Sie Folgendes sicher:

- Der schützende Bodenbelag muss auf allen Seiten mindestens 2 m über das Spielset hinausreichen.



Auszug aus dem CPSC Outdoor Home Playground Safety Handbook: <http://www.playgroundregs.com/resources/CPSC%20324.pdf>

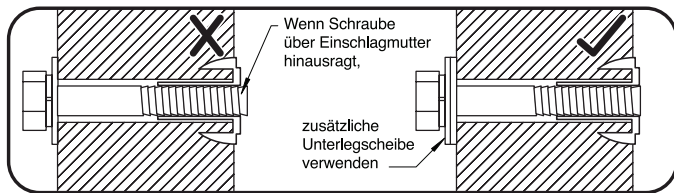
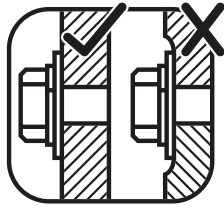
Wartungsanleitung

Ihr KidKraft Spielset wurde aus hochwertigen Materialien gefertigt, um die Sicherheit Ihres Kindes zu gewährleisten. Wie alle Outdoor-Produkte für Kinder verwittert es und nutzt sich im Laufe der Zeit ab. Um den Spielspaß, die Sicherheit und die Lebensdauer Ihres Spielsets zu maximieren, ist eine ordnungsgemäße Wartung und Pflege durch Sie – den Eigentümer – unerlässlich.

Überprüfen Sie zu Beginn jeder Spielsaison Folgendes:

METALLTEILE

- ✓ Prüfen Sie Metallteile auf Rost. Sollte Rost vorhanden sein, schleifen Sie sie ab und lackieren Sie sie neu mit bleifreier Farbe gemäß 16 CFR 1303.
- ✓ Überprüfen Sie alle Metallteile und ziehen Sie sie fest. Bei Holzteilen **NICHT ZU FEST DREHEN**, da das Holz brechen oder splintern könnte.
- ✓ Prüfen Sie, ob scharfe Kanten oder herausragende Schrauben vorhanden sind, bringen Sie bei Bedarf Unterlegscheiben an.



SCHÜTZENDER BODENBELAG:

- ✓ Prüfen Sie den Belag auf Fremdkörper. Harken Sie das lose Polstermaterial und prüfen Sie seine Höhe, um eine Verdichtung zu verhindern und die richtige Tiefe beizubehalten. Wechseln Sie ihn bei Bedarf aus. (siehe Schützender Bodenbelag, Seite 3)

BODENANKER

- ✓ Überprüfen, ob die Bodenanker locker, beschädigt oder abgenutzt sind. Die Anker sollten das Gerät während der Nutzung fest im Boden halten. Befestigen Sie sie bei Bedarf neu oder ersetzen Sie sie.

HOLZTEILE:

- ✓ Überprüfen Sie alle Holzteile auf Abnutzung, strukturelle Schäden oder Splitter. Schleifen Sie abgesplitterte Bereiche ab und ersetzen Sie abgenutzte Holzteile. Einige Flecken und kleine Risse sind ganz normal.
- ✓ Wenn Holz nicht geschützt wird, verwittert es mit der Zeit. Das regelmäßige Auftragen von wasserabweisenden Mitteln oder Beize auf Wasserbasis sorgt für ein besseres Erscheinungsbild und verlängert die Lebensdauer des Produkts.

Prüfen Sie während der Spielsaison Folgendes zweimal im Monat:

METALLTEILE:

- ✓ Prüfen Sie, dass sie fest sitzen. Sie müssen fest am Holz sitzen, dieses aber nicht zerdrücken. **NICHT ZU FEST ZIEHEN**. Das Holz könnte splintern.
- ✓ Prüfen Sie, ob scharfe Kanten oder herausragende Schrauben vorhanden sind. Bringen Sie bei Bedarf Unterlegscheiben an.

SCHÜTZENDER BODENBELAG:

- ✓ Harken Sie das lose Polstermaterial und prüfen Sie seine Höhe, um eine Verdichtung zu verhindern und die richtige Tiefe beizubehalten. Wechseln Sie ihn bei Bedarf aus. (siehe Schützender Bodenbelag, Seite 3)

Überprüfen Sie am Ende jeder Spielsaison Folgendes:

- ✓ Um die Lebensdauer der Schaukeln zu verlängern, bewahren Sie diese bei Außentemperaturen unter 32°F/0°C im Inneren auf. Bei Frost können Kunststoffteile spröde werden.

SCHÜTZENDER BODENBELAG:

- ✓ Harken Sie das lose Polstermaterial und prüfen Sie seine Höhe, um eine Verdichtung zu verhindern und die richtige Tiefe beizubehalten. Wechseln Sie ihn bei Bedarf aus. (siehe Schützender Bodenbelag, Seite 3)

Bei Entsorgung Ihres Spielsets: Bauen Sie das Spielset bitte auseinander und entsorgen Sie es angemessen, sodass dabei keine vermeidbaren Risiken entstehen. Befolgen Sie dabei Ihre Entsorgungsrichtlinien vor Ort.

UNSER HOLZ

Die Premium-Spielsets von KidKraft bestehen aus FSC-zertifiziertem Holz. Wir bemühen uns stets, das beste auf dem Markt erhältliche Holz auszuwählen. Dennoch ist Holz ein Naturprodukt, das verwittern und somit das Erscheinungsbild Ihres Spielsets verändern kann.

Was führt zu Verwitterung? Hat dies Auswirkungen auf die Belastbarkeit meines Spielsets?

Die Verwitterung wird hauptsächlich von Wasser (Feuchtigkeit) hervorgerufen – die Oberfläche und das Innere des Holzes weisen einen unterschiedlichen Feuchtigkeitsgrad auf. Wenn sich das ändert, dringt die Feuchtigkeit in das Holz bzw. aus dem Holz heraus. Dabei entsteht Spannung, die Risse oder Verziehhungen verursachen kann. Die Verwitterung kann zu folgenden Änderungen führen, die aber nicht die Belastbarkeit des Produkts beeinträchtigen:

1. **Risse** sind oberflächliche Spalten, die parallel zur Holzfaser verlaufen. Risse treten eher bei Balken (10 x 10 cm) als bei Brettern (2,5 x 10 cm) auf, da bei dickerem Holz der Feuchtigkeitsgehalt im Inneren stärker von dem an der Oberfläche abweicht.
2. **Verziehhungen** ergeben sich durch jegliche Verformung (Drehung, Verkrümmung) der ursprünglichen Oberfläche des Holzbretts und treten oftmals bei schnellem Befeuchten und Trocknen des Holzes auf.
3. Das **Verblässen** ist eine natürliche Änderung der Farbe, wenn das Holz dem Sonnenlicht ausgesetzt ist. Das Holz nimmt im Laufe der Zeit einen grauen Farbton an.

Wie kann ich mein Spielset vor zu schneller Verwitterung schützen?

Wir haben das Holz in der Fabrik mit einer wasserabweisenden Schutzschicht oder Beize versehen. Diese Schicht verringert die Wasseraufnahme bei Regen oder Schnee und folglich die Spannung im Holz. Sonnenlicht beschädigt diese Schicht im Laufe der Zeit. Wie empfehlen daher, das Holz jährlich erneut mit einem wasserabweisenden Lack oder Beize zu behandeln. Geeignete Produkte finden Sie bei einem Fachhändler vor Ort.

Die Verwitterung ist ein natürlicher Prozess und beeinträchtigt nicht die Sicherheit des Spielsets und den Spielspaß für Ihr Kind. Wenn ein Teil Ihrer Meinung nach zu sehr verwittert ist, hilft Ihnen unser Kundendienst gerne weiter.

Schicken Sie uns bitte das ausgefüllte Registrierungsformular zu, damit wir Ihnen wichtige Produktmitteilungen senden und einen umgehenden Garantieservice bieten können.

5 Jahre eingeschränkte Garantie

KidKraft garantiert, dass dieses Produkt für einen Zeitraum von einem Jahr ab dem ursprünglichen Kaufdatum frei von Material- und Verarbeitungsfehlern ist. Zudem gewähren wir eine 5-jährige Garantie auf die Integrität der Holzteile für strukturelles Versagen und Insektenschäden. Für alle weiteren Teile wie Metallteile, Schaukeln, Spielgeräte, Zubehör und Rutschen gilt nur eine einjährige Garantie.

Diese Garantie gilt für den ursprünglichen Eigentümer und Registrierenden und ist nicht übertragbar.

Die regelmäßige Wartung ist erforderlich, um die Integrität des Spielsystems zu gewährleisten. Diese Garantie umfasst nicht die Kosten für Inspektionen.

Diese begrenzte Garantie schließt Folgendes nicht ein:

- Arbeitskosten für den Ersatz von schadhafteilen
- Neben- oder Folgeschäden
- Ästhetische Mängel, die die Leistung oder Integrität nicht beeinträchtigen
- Vandalismus, unsachgemäße Nutzung oder Installation, höhere Gewalt
- Geringfügiges Verdrehen, Verziehen, Einreißen und andere natürliche Eigenschaften von Holz, die die Leistung oder Integrität nicht beeinträchtigen.

Bei den Produkten von KidKraft stehen Sicherheit und Qualität im Mittelpunkt. Alle Änderungen am Originalprodukt können seine strukturelle Integrität beeinträchtigen, was zu Produktversagen und möglichen Verletzungen führen kann. KidKraft übernimmt keine Haftung für modifizierte Produkte. Bei Modifikationen am Produkt verfallen jegliche Garantien.

Die Garantie für dieses Produkt gilt nur **NUR FÜR DIE PRIVATE NUTZUNG**. Unter keinen Umständen darf ein KidKraft Spielsystem in öffentlichen Bereichen wie Schulen, Kirchen, Spielplätzen, Parks, Kindergärten und dergleichen verwendet werden. Diese Nutzungsart kann zu Produktversagen und Verletzungen führen.

Die Garantie verfällt umgehend, wenn dieses Produkt öffentlich genutzt wird.

KidKraft erteilt keinerlei weiteren ausdrücklichen oder stillschweigenden Garantien oder Zusicherungen.

Diese Garantie gewährt Ihnen bestimmte Rechte. Je nach Land stehen Ihnen gegebenenfalls noch weitere Rechte zu. Jegliche Folgeschäden sind von dieser Garantie ausgeschlossen. In einigen Ländern ist diese Beschränkung bzw. dieser Ausschluss jedoch nicht zulässig, sodass Sie ggf. nicht davon betroffen sind.

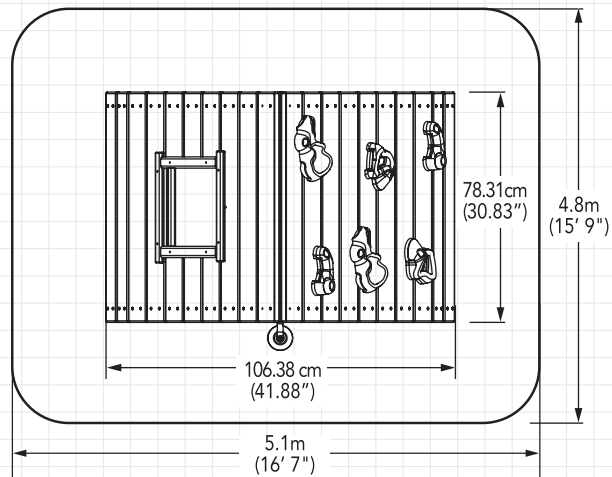
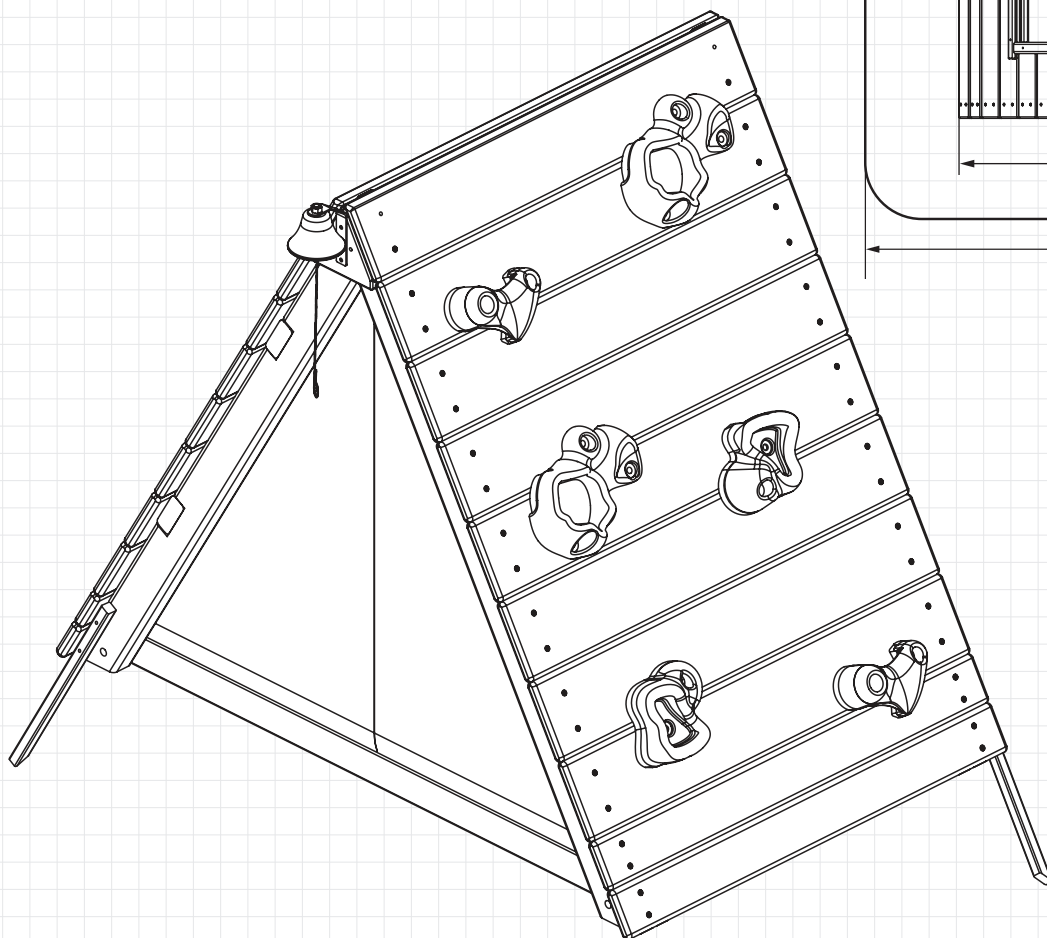
TELAIO AD A PER NASCONDERSI E ARRAMPICARSI

ZONA DI SICUREZZA PRIVA DI OSTACOLI - 16' 7" X 15' 9" (5.1 X 4.8 m)

ALTEZZA MASSIMA DI CADUTA VERTICALE. 3' (0.916 m)

CAPACITÀ - Per questa unità è consigliato un massimo di 2 bambini. Nota: solo un bambino si arrampica alla volta. Dai 3 ai 5 anni. Peso massimo di 22.6 kg a bambino.

SOLO PER USO DOMESTICO. Non idoneo in aree pubbliche come scuole, chiese, asili, asili nido o parchi. Solo per uso domestico.



ISTRUZIONI PER L'INSTALLAZIONE E IL FUNZIONAMENTO

PER LA SOSTITUZIONE DELLE PARTI ONLINE 24 ORE SU 24, 7 GIORNI SU 7

parts.kidkraft.com

KidKraft, Inc.
 4630 Olin Road
 Dallas, Texas 75244
 USA

customerservice@kidkraft.com

1.800.933.0771
 972.385.0100

parts.kidkraft.eu

KidKraft Netherlands BV
 Olympisch Stadion 8
 1076 DE Amsterdam
 Paesi Bassi

europecustomerservice@kidkraft.com

+31 20 305 8620
 Lun-Ven dalle 9:00 alle 17:30



⚠️ AVVERTENZA

Per ridurre il rischio di lesioni gravi o morte, leggere le seguenti istruzioni. Conservare e fare spesso riferimento a queste istruzioni e fornirle a qualsiasi futuro proprietario di questo set da gioco.

Herzlichen Glückwunsch zum Kauf eines KidKraft Produkts! Unsere Artikel werden aus dem hochwertigen, beständigen Holz der Spießtanne (*Cunninghamia lanceolata*) gefertigt, die zur Familie der Zypressengewächse zählt. Das Holz dieser Bäume ist für seine Leichtigkeit und seine außerordentliche Festigkeit bekannt. Dank seiner Porosität kann es Feuchtigkeit absorbieren, die dann über die Fasern verdunstet. Dadurch ist das Holz resistent gegen Fäulnis und Schädlingsbefall. Damit die Kinder ganz unbekümmert spielen können, werden unsere Produkte rigorosen Tests unterzogen. Darüber hinaus hat unser Team innovative Methoden entwickelt, durch die sich unsere Produkte mühelos zusammenbauen lassen. So bleibt noch mehr Zeit zum Spielen. Falls Sie trotzdem einmal beim Aufbau nicht mehr weiter wissen, wenden Sie sich einfach an uns. Unser Kundenserviceteam hilft Ihnen gern bei fehlenden Teilen sowie bei Fragen zur Anleitung oder Wartung.

Avvertenze e istruzioni per giocare in sicurezza



DA UTILIZZARSI SOTTO LA CONTINUA SUPERVISIONE DEGLI ADULTI. La maggior parte degli incidenti e delle morti di bambini su attrezzature da gioco si è verificata in assenza di supervisione da parte di un adulto. I nostri prodotti sono ideati per soddisfare standard di sicurezza obbligatori e facoltativi. Il rispetto delle avvertenze e raccomandazioni indicate all'interno delle presenti istruzioni contribuirà a ridurre il rischio di lesioni gravi o letali nei bambini che utilizzano l'attrezzatura da gioco. Rileggere attentamente e frequentemente le avvertenze e istruzioni con i bambini per un gioco sicuro e fare in modo che le comprendano e rispettino. È necessaria la supervisione in loco di un adulto per bambini di tutte le età.



AVVERTENZA

ALTO RISCHIO DI LESIONI ALLA TESTA

L'installazione su cemento, asfalto, terra, erba, tappeti e altre superfici dure comporta il rischio di lesioni gravi o morte provocati da cadute a terra. Installare e mantenere il materiale ammortizzante sotto e attorno all'area da gioco come indicato a pagina 3 di queste istruzioni.

PERICOLO DI COLLISIONE

Posizionare il set da gioco su una superficie piana, ad almeno 2 metri da ostacoli come garage, case, recinti, pali, alberi, marciapiedi, muri, legni di paesaggio, pietre, marciapiedi, fioriere, bordi del giardino, rami sporgenti, fili stendibiancheria e fili elettrici (vedere ZONA DI SICUREZZA PRIVA DI OSTACOLI sulla copertina).

PERICOLO DI SOFFOCAMENTO/SPIGOLI VIVI E PUNTE

È richiesto il montaggio da parte di un adulto. Il prodotto contiene parti di piccole dimensioni e altre dotate di spigoli vivi e punte. Tenere le parti fuori dalla portata dei bambini, finché non sono state completamente montate.

ETICHETTA DI AVVERTENZA

I proprietari sono responsabili della leggibilità delle etichette di avvertenza.

PERICOLO DI STRANGOLAMENTO

- **NON** consentire ai bambini di giocare con corde, fili stendibiancheria, guinzagli per animali, cavi, catene o oggetti simili a corde durante l'utilizzo di questo set da gioco, né di fissar tali oggetti a questi elementi.
- **NON** consentire ai bambini di indossare indumenti troppo larghi, poncho, cappucci, sciarpe, mantelle, collane, articoli dotati di lacci, corde o cinghie in caso di utilizzo di questo set da gioco.
- **NON** consentire ai bambini di indossare caschi da ciclismo o sportivi durante l'utilizzo di questo set da gioco.

Il mancato divieto di utilizzare questi oggetti, compresi i caschi con cinturini sottogola, comporta un maggiore rischio di lesioni e morte per i bambini a causa di intrappolamento o strangolamento.

PERICOLO DI RIBALTAMENTO

Scegliere una superficie piana per l'attrezzatura. In questo modo è possibile ridurre le probabilità di ribaltamento del set da gioco e la perdita dei materiali di rivestimento durante le forti piogge.

NON consentire ai bambini di giocare con il set da gioco fino al completo montaggio dello stesso.



AVVERTENZE: istruzioni per giocare in sicurezza

- ✓ Osservare i limiti di capacità del set da gioco. Consultare la copertina.
- ✓ Far indossare ai bambini calzature ben aderenti e che ricoprono i piedi per intero.
- ✓ Verificare l'assenza di legno scheggiato, rotto o incrinato, nonché di componenti metallici appuntiti, mancanti, allentati o taglienti. Sistemare, fissare e/o appianare gli elementi secondo necessità prima di iniziare a giocare.
- ✗ Non consentire ai bambini di indossare calzature aperte o con tacchi come sandali, infradito o zoccoli.
- ✗ Non consentire ai bambini di arrampicarsi sull'attrezzatura bagnata.
- ✗ Non consentire ai bambini di giocare in modo violento o di usare l'attrezzatura in modo diverso da quello per cui è prevista. Può essere pericoloso restare in piedi sul tetto o saltare da esso, da piattaforme sopraelevate, altalene, aree da scalare, scalette o scivoli.



! Rivestimento protettivo: riduzione del rischio di gravi lesioni alla testa dovute a cadute.

Una delle azioni più importanti per ridurre la probabilità di gravi lesioni alla testa consiste nell'installare un rivestimento protettivo antiurto al di sotto e intorno alla struttura. Applicare il rivestimento protettivo a una profondità adatta all'altezza dell'apparecchiatura in conformità con lo standard ASTM F1292. Sono disponibili diversi tipi di superfici tra cui scegliere.

A seconda del prodotto selezionato è importante seguire queste linee guida:

Materiali sfusi

- Mantenere una profondità minima di 22,86 cm per materiali sfusi come pacciamatura e trucioli di legno, fibra di legno ingegnerizzata (EWF) o tritatura/riciclo di gomma per attrezzature fino a 243,84 cm di altezza e 22,86 cm di sabbia o ghiaia fine per attrezzature fino a 152,4 cm di altezza. **NOTA:** con il tempo, un livello di riempimento iniziale della profondità di affioramento di 30,48 cm si comprimerà fino a circa 22,86 cm. Inoltre, nel tempo il rivestimento si compatta, si sposta e si deposita e deve essere periodicamente rastrellato e riempito per mantenere una profondità di almeno 22,86 cm.
- Utilizzare un minimo di 15,24 cm di rivestimento protettivo per attrezzature da gioco di altezza inferiore a 121,92 cm. Se mantenuto correttamente, dovrebbe funzionare adeguatamente (a profondità inferiori a 15,24 cm, il materiale protettivo si sposta o si compatta troppo facilmente).

NOTA: non installare attrezzature da parco giochi casalinghe su cemento, asfalto o qualsiasi altra superficie dura. Una caduta su una superficie dura può provocare lesioni gravi alle persone che utilizzano l'attrezzatura. Erba e terra non sono considerati rivestimenti protettivi poiché l'usura e i fattori ambientali possono ridurre l'efficacia di ammortizzazione. Moquette e tappetini sottili non sono rivestimenti protettivi adeguati. Attrezzature a livello terra, come sabbie, pareti per attività, cassette o altre attrezzature prive di superficie di gioco in elevazione, non richiedono rivestimenti protettivi.

- Utilizzare un metodo di isolamento, come ad esempio scavare intorno al perimetro e/o rivestire il perimetro con bordura da giardino. Prevedere uno scarico per l'acqua.
- Periodicamente, rastrellare, controllare e mantenere la profondità dei materiali sfusi di rivestimento. Indicare la profondità corretta sui sostegni delle attrezzature da gioco per segnalare i casi in cui si è depositato materiale e quando occorre rastrellare o eseguire un riempimento. Rastrellare e distribuire in modo uniforme i rivestimenti nelle aree più utilizzate.
- Non installare i materiali sfusi di rivestimento su superfici dure come cemento o asfalto.

Superfici da posa in opera o mattonelle in gomma prefabbricate

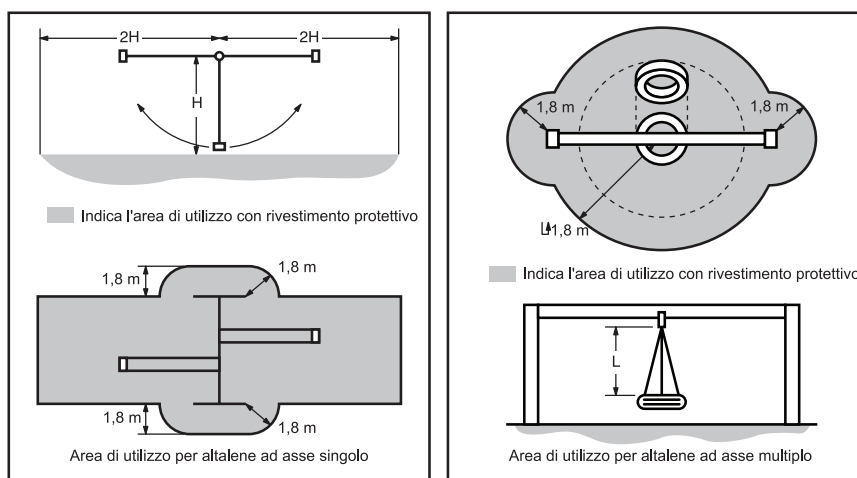
Potrebbe interessare l'utilizzo di rivestimenti diversi dai materiali sfusi, come ad esempio le mattonelle in gomma o superfici da posa in opera.

- Le installazioni di questi rivestimenti richiedono l'intervento di un professionista e sono progetti non adatti all'esecuzione in autonomia.
- Leggere attentamente le specifiche della superficie prima di acquistare questo tipo di rivestimento. Chiedere all'installatore/produttore un rapporto che dimostri l'avvenuto test del prodotto secondo i seguenti standard di sicurezza: ASTM F1292. *Standard per l'attenuazione dell'impatto dei materiali di rivestimento nell'area di utilizzo delle attrezzature per parco giochi.* Questo rapporto deve mostrare l'altezza specifica per cui la superficie dovrebbe proteggere da gravi lesioni alla testa. Tale altezza deve essere maggiore o uguale all'altezza di caduta (distanza verticale tra una superficie di gioco designata, *superficie elevata per posizione in piedi, seduta o in arrampicata*, e il rivestimento protettivo sottostante) dell'attrezzatura di gioco.
- Controllare frequentemente l'usura del rivestimento protettivo.

Posizionamento

Il posizionamento adeguato e la manutenzione del rivestimento protettivo sono elementi fondamentali. Fare riferimento al diagramma in copertina. Fare in modo di:

- Estendere il rivestimento per almeno 1,8 m dall'attrezzatura in tutte le direzioni.

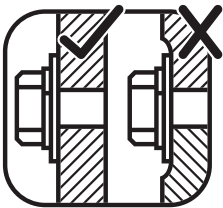
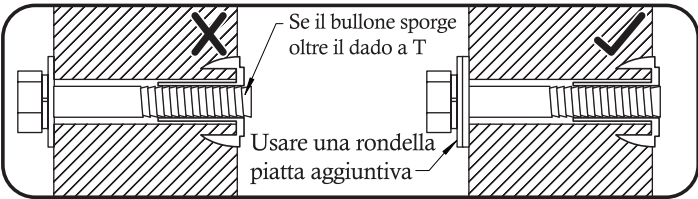


Dal manuale per la sicurezza del parco giochi all'aperto casalingo CPSC. Su <http://www.playgroundregs.com/resources/CPSC%20324.pdf>

Istruzioni per una corretta manutenzione

L'attrezzatura da gioco KidKraft è stata ideata e costruita con materiali di qualità per la sicurezza dei bambini. Come tutti gli altri prodotti da esterno usati dai bambini, è soggetta a erosione e usura. Per un maggiore divertimento, sicurezza e durata del set da gioco, è importante conservarla adeguatamente.

Verificare i seguenti elementi all'inizio della stagione di gioco:

<p>COMPONENTI MECCANICI:</p> <ul style="list-style-type: none">✓ Verificare che le parti in metallo non siano arrugginite. In presenza di ruggine, carteggiare e riverniciare con una vernice priva di piombo 16 CFR 1303.✓ Ispezionare e fissare tutti i componenti metallici. NON SERRARE ECCESSIVAMENTE le parti in legno poiché tale azione potrebbe provocare la rottura o la scheggiatura del legno.✓ Verificare la presenza di spigoli vivi o di filettature sporgenti delle viti e applicare rondelle, se necessario.   <p>RIVESTIMENTO AMMORTIZZANTE:</p> <ul style="list-style-type: none">✓ Verificare che non siano presenti oggetti estranei. Rastrellare e controllare la profondità dei materiali di rivestimento sfusi per prevenire la compattazione e mantenere la profondità adeguata. Sostituire, se necessario. Vedere Rivestimento protettivo, pag. 3.	<p>BARRE PER TERRENO (BLOCCHI):</p> <ul style="list-style-type: none">✓ Verificare l'eventuale allentamento, danneggiamento o deterioramento di tali elementi. Essi devono essere saldamente ancorati al terreno durante l'utilizzo. Rimettere in sicurezza e/o sostituire gli elementi, se necessario. <p>PARTI IN LEGNO:</p> <ul style="list-style-type: none">✓ Verificare che non siano presenti parti in legno deteriorate, con danni strutturali o scheggiate. Carteggiare le schegge e sostituire le parti in legno deteriorate. Come per tutti i materiali in legno, la presenza di screpolature o di piccole crepe nella venatura è normale.✓ L'applicazione di un idrorepellente o antimacchia (a base di acqua) una volta l'anno è importante per garantire la durata e le prestazioni ottimali del prodotto.
---	---

Controllare due volte al mese durante la stagione in cui si gioca:

<p>COMPONENTI MECCANICI:</p> <ul style="list-style-type: none">✓ Controllare la tenuta. Devono essere ben fissati al legno ma non troppo, poiché potrebbero romperlo. NON SERRARE ECCESSIVAMENTE. Tale azione potrebbe causare la scheggiatura del legno.✓ Verificare la presenza di spigoli vivi o filettature sporgenti delle viti. Se necessario, aggiungere rondelle.	<p>SHOCK ABSORBING SURFACING:</p> <ul style="list-style-type: none">✓ Rastrellare e controllare la profondità dei materiali di rivestimento sfusi per prevenire la compattazione e mantenere una profondità adeguata. Sostituire, se necessario. (Vedere Rivestimento protettivo, pag. 3).
--	---

Controllare alla fine della stagione di gioco:

<ul style="list-style-type: none">✓ Per prolungarne la durata, rimuovere le altalene e conservarle in ambienti interni quando la temperatura esterna è inferiore a 0° C. Se esposte a congelamento, le parti in plastica possono diventare più fragili.	<p>RIVESTIMENTO AMMORTIZZANTE:</p> <ul style="list-style-type: none">✓ Rastrellare e controllare la profondità dei materiali di rivestimento sfusi per prevenire la compattazione e mantenere una profondità adeguata. Sostituire, se necessario. (Vedere Rivestimento protettivo, pag. 3).
---	--

Per smaltire il set da gioco: smontare e smaltire l'unità in modo che non costituisca un pericolo al momento dello smaltimento. Rispettare le ordinanze locali in materia di smaltimento.

Il nostro legno

Le attrezzature da gioco KidKraft Premium utilizzano legno 100% FSC. Pur essendo molto scrupolosi nella selezione della migliore qualità dei legnami disponibili, il legno resta un della naturale soggetto a erosione, un processo che può modificare l'aspetto dell'attrezzatura.

Quali fattori causano il deterioramento? Il deterioramento influisce sulla resistenza dell'attrezzatura da gioco?

Una delle principali cause di deterioramento è costituita dagli effetti dell'acqua (umidità): il contenuto di umidità del legno in superficie è diverso da quello presente all'interno di tale materiale. Con i cambiamenti atmosferici, l'umidità si infiltra o fuoriesce dal legno, causando tensione, screpolature o deformazioni. Il deterioramento può provocare le seguenti conseguenze. Tali variazioni non influiscono sulla resistenza del prodotto:

1. **La screpolatura** è costituita da crepe in superficie lungo la venatura del legno. Un palo (101,6 mm x 101,6 mm) sarà maggiormente soggetto a screpolatura rispetto a una tavola (25,4 mm x 101,6 mm) poiché il contenuto di umidità in superficie e all'interno varia maggiormente rispetto al legno più sottile.
2. **Le deformazioni** sono conseguenza di una distorsione (torsione, imbarcamento) del piano originale dell'asse e si verificano bagnando e asciugando rapidamente il legno.
3. **Lo scolorimento** si verifica a causa delle mutazioni naturali del colore del legno esposto alla luce solare. Il legno assumerà un colore grigiastro con il tempo.

In che modo è possibile ridurre il deterioramento dell'attrezzatura da gioco?

In fabbrica abbiamo rivestito il legno con un idrorepellente o antimacchia. Tale rivestimento consente di ridurre la quantità di acqua assorbita durante i periodi di pioggia o neve, diminuendo la tensione all'interno del legno. La luce solare tenderà a deteriorare il rivestimento e occorre quindi applicare un idrorepellente o antimacchia ai fini della conservazione. Informarsi presso un rivenditore locale di prodotti come antimacchia o vernici per ottenere indicazioni sui prodotti.

Di solito, il deterioramento è una conseguenza dei fenomeni naturali e non influirà sulla sicurezza del gioco né sul divertimento dei bambini. Tuttavia, se si ritiene che una parte abbia subito un grave deterioramento, contattare il nostro dipartimento delle relazioni con il cliente per ulteriore assistenza.

Compilare e inoltrare la scheda di registrazione per ricevere importanti notifiche sul prodotto e un rapido servizio di garanzia.

Garanzia limitata di 5 anni

KidKraft garantisce che il prodotto in questione è privo di difetti di materiale e lavorazione per un periodo di un anno a partire dalla data originale di acquisto. Inoltre, i legni sono garantiti 10 anni per i danni strutturali dovuti alla decomposizione e agli insetti. Tutte le altre parti, come ad esempio parti meccaniche, altalene, giostre, accessori e scivoli, hanno una garanzia di un anno. La presente garanzia si applica al proprietario originale e al soggetto registrato e non è trasferibile. Al fine di garantire l'integrità dell'attrezzatura da gioco è necessaria una manutenzione periodica. Il mancato rispetto delle operazioni di manutenzione del prodotto da parte del proprietario secondo i requisiti di manutenzione può comportare l'annullamento della garanzia. La presente garanzia non copre gli eventuali costi di ispezione.

La presente garanzia limitata non copre:

- Lavori per la sostituzione di eventuali articoli difettosi
- Danni incidentali o consequenziali
- Difetti estetici che non influiscono sulle prestazioni o sull'integrità
- Vandalismo, uso o installazione impropri, fenomeni naturali
- Lievi fenomeni di torsione, deformazione, screpolatura o altri fenomeni di origine naturale del legno che non influiscono sulle prestazioni o sull'integrità del prodotto.

I prodotti KidKraft sono ideati secondo standard di sicurezza e qualità. Eventuali modifiche apportate al prodotto originale potrebbero danneggiare l'integrità strutturale dell'unità, con conseguenti guasti e possibili incidenti.

KidKraft declina ogni responsabilità in merito ai prodotti modificati. Inoltre, le modifiche apportate invalidano qualsiasi tipo di garanzia.

Il presente prodotto è coperto da garanzia per **l'USO ESCLUSIVO NELLE ZONE RESIDENZIALI**. L'attrezzatura da gioco KidKraft non deve essere usata in ambienti pubblici quali scuole, chiese, campi da gioco, parcheggi, asili nido e simili. Tale uso può comportare guasti al prodotto e potenziali incidenti. Tutti gli usi in ambienti pubblici comporteranno l'annullamento della presente garanzia.

KidKraft declina qualsiasi dichiarazione o garanzia di qualsiasi natura, sia essa espressa o implicita.

La presente garanzia offre diritti legali specifici. Potrebbero essere presenti anche di altri diritti che variano da Paese a Paese o da provincia a provincia. La presente garanzia esclude qualsivoglia danno consequenziale, tuttavia, alcuni Paesi non consentono la limitazione o l'esclusione dei danni consequenziali e pertanto la limitazione di cui sopra potrebbe essere non applicabile nei confronti dell'utente.