

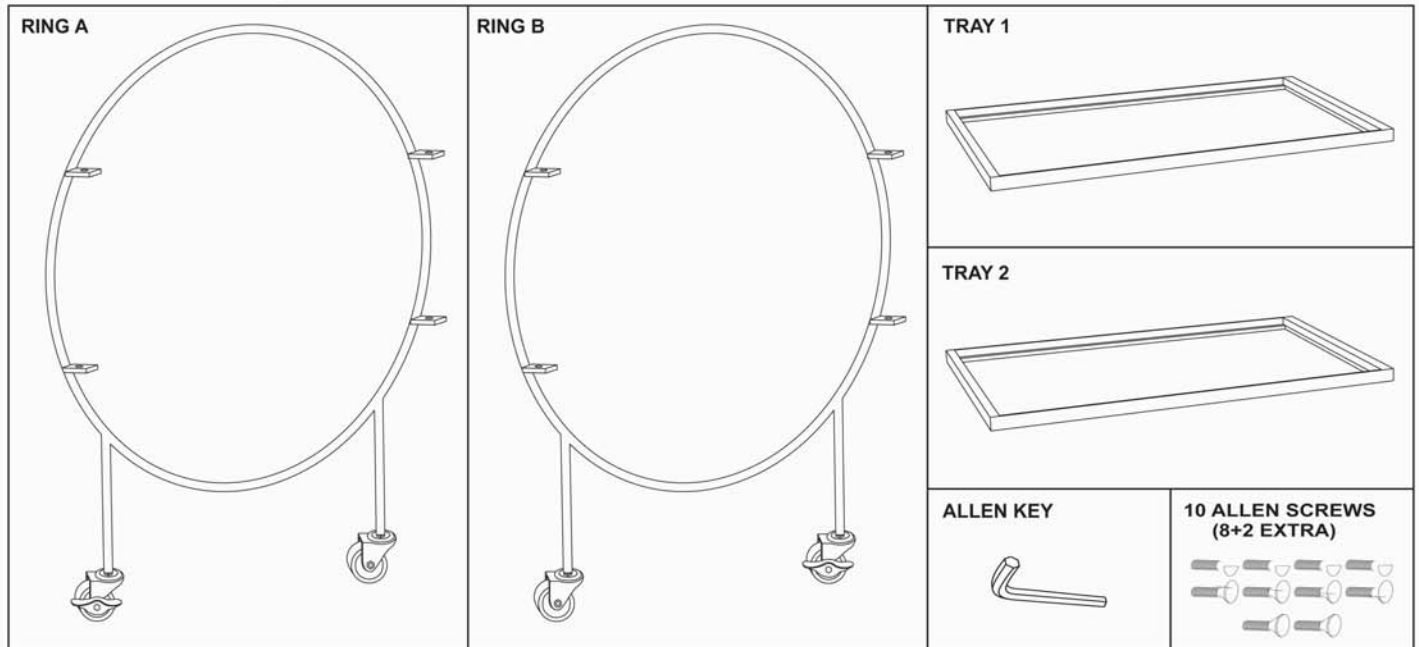
ASSEMBLY INSTRUCTIONS

SKU No - 217237

Pre-Assembly

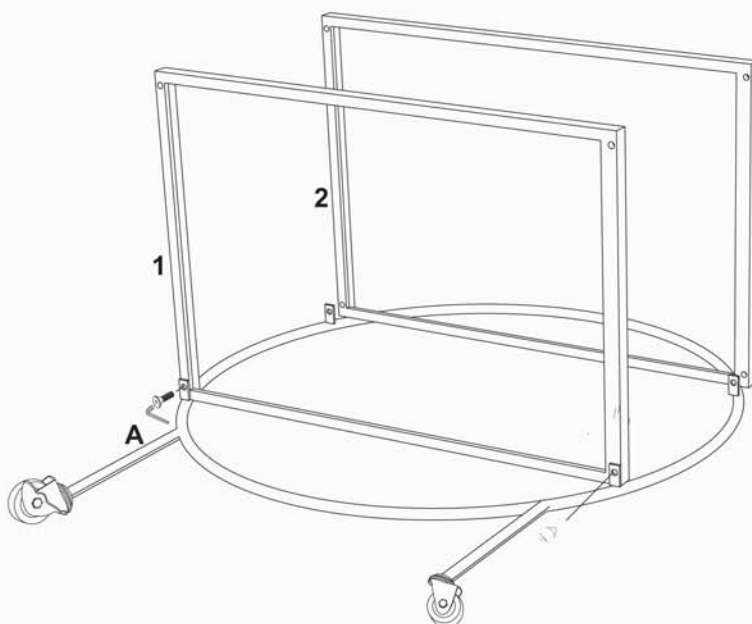
- Please read all instructions carefully and completely before assembling.
- Assembly by two people is recommended.

4 PARTS INCLUDED

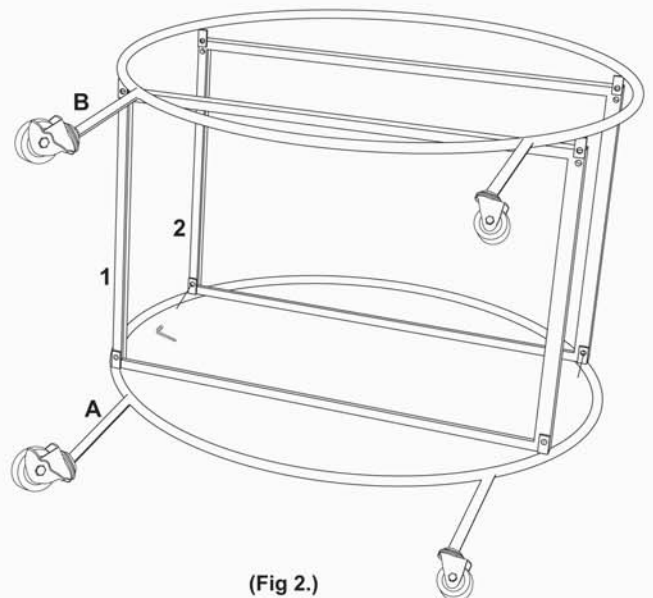


Assembly Instructions :

1. Carefully open the packaging and clear packaging material from the assembly area.
Place all components on a protective surface.
2. Attach Trays 1 and 2 to ring A and B then using Allen key and screws as shown in (Fig. 1) & (Fig. 2) castors with locks to come towards the back.

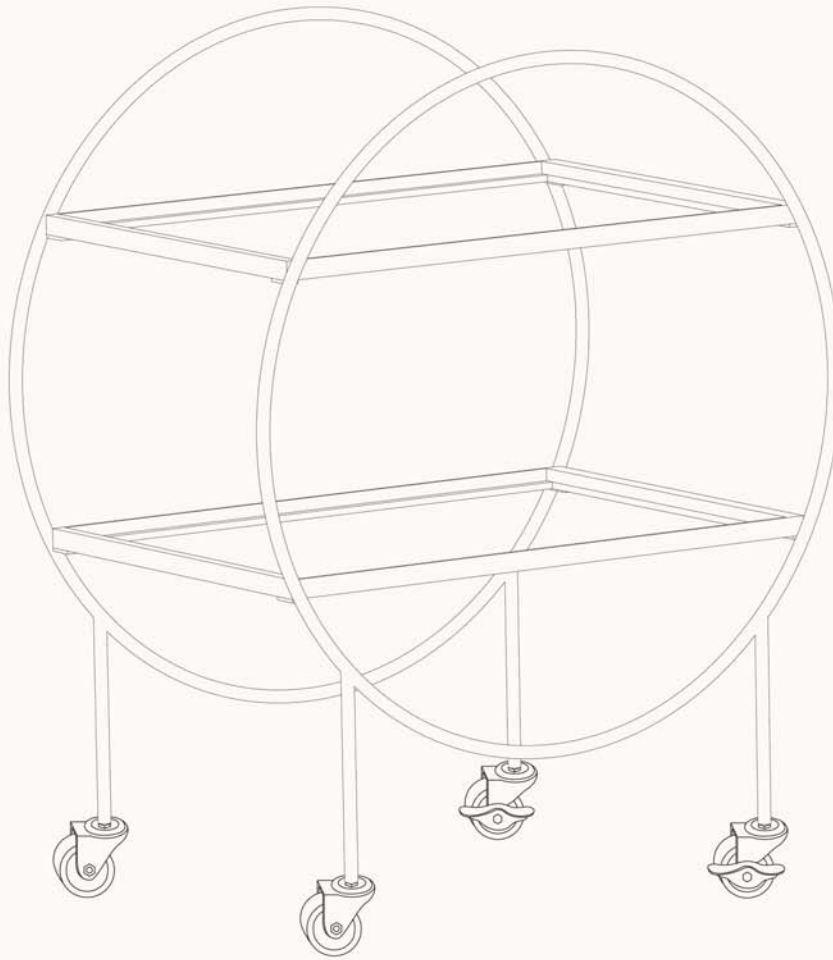


(Fig 1.)



(Fig 2.)

3. Assembled piece is now ready to use **(Fig. 3)**.



(Fig 3.)