



Freshman™

Siphon-jet half-stall 1.0 gpf urinal, top spud
K-4989-T

Features

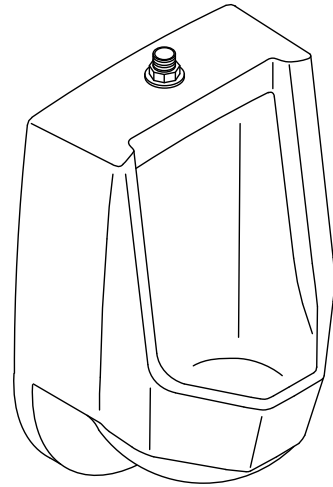
- Siphon jet
- 3/4" (19 mm) top spud
- Includes inlet and outlet spuds and hangers
- 1.0 gpf (3.8 lpf)

Material

- Vitreous china

Recommended Products/Accessories

- K-23726 Drain treatment
- K-23725 Cast iron cleaner
- K-76319 Urinal flushometer, 1.0 gpf



Codes/Standards




ASME A112.19.2/CSA B45.1
DOE - Energy Policy Act 1992

KOHLER® One-Year Limited Warranty

See website for detailed warranty information.

Available Colors/Finishes

Color tiles intended for reference only.

Color	Code	Description
	0	White
	96	Biscuit
	7	Black Black™

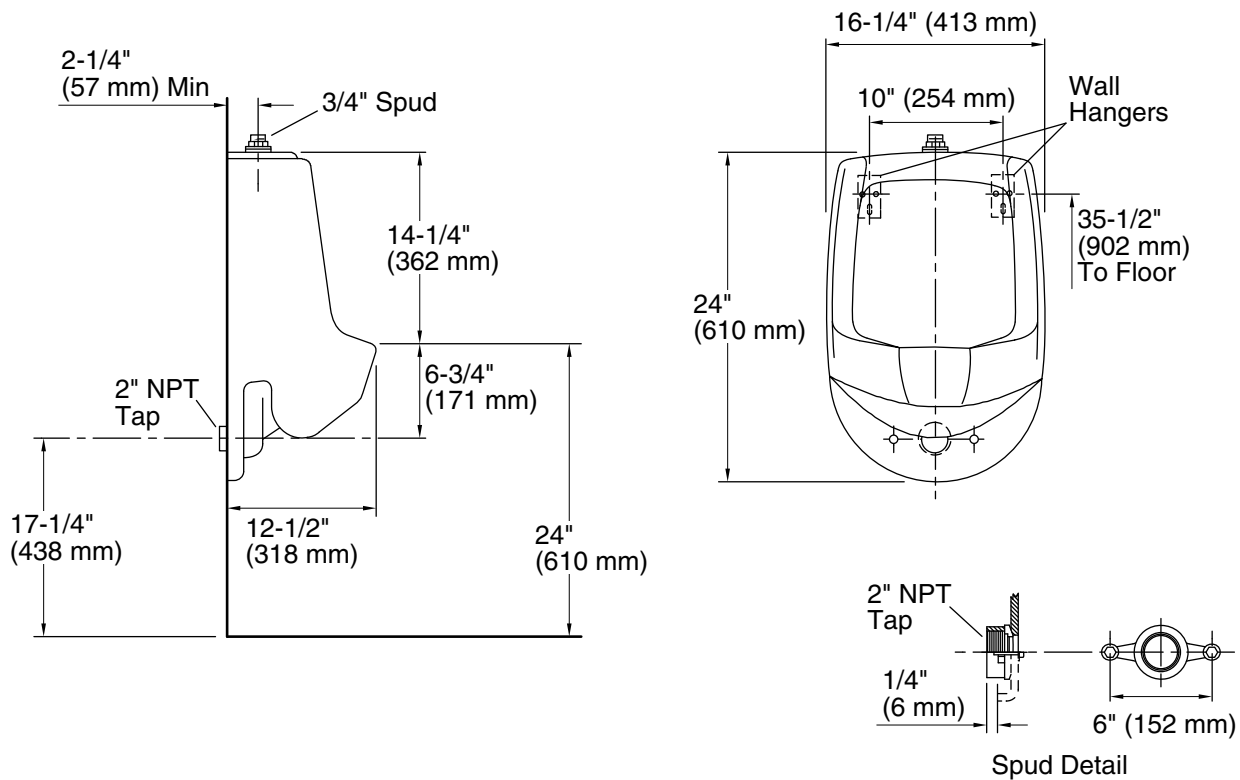
1-800-4KOHLER (1-800-456-4537)

Kohler Co. reserves the right to make revisions without notice to product specifications.

For the most current Specification Sheet, go to www.kohler.com USA or www.kohler.ca Canada

9-5-2025 22:22 - US/CA

THE BOLD LOOK
OF **KOHLER**®



Technical Information

All product dimensions are nominal.

Spud size: 3/4, Inlet, Top

Spud size: 3/4, Outlet, Top

Min. Water per Flush: 1 gpf (3.8 lpf)

Flush:

Max. Water per Flush: 1 gpf (3.8 lpf)

Flush:

Designed for the above water use when installed with a water-saving flushometer.

Notes

Install this product according to the installation guide.

Refer to manufacturer's instructions and local codes for flush valve requirements.