
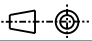
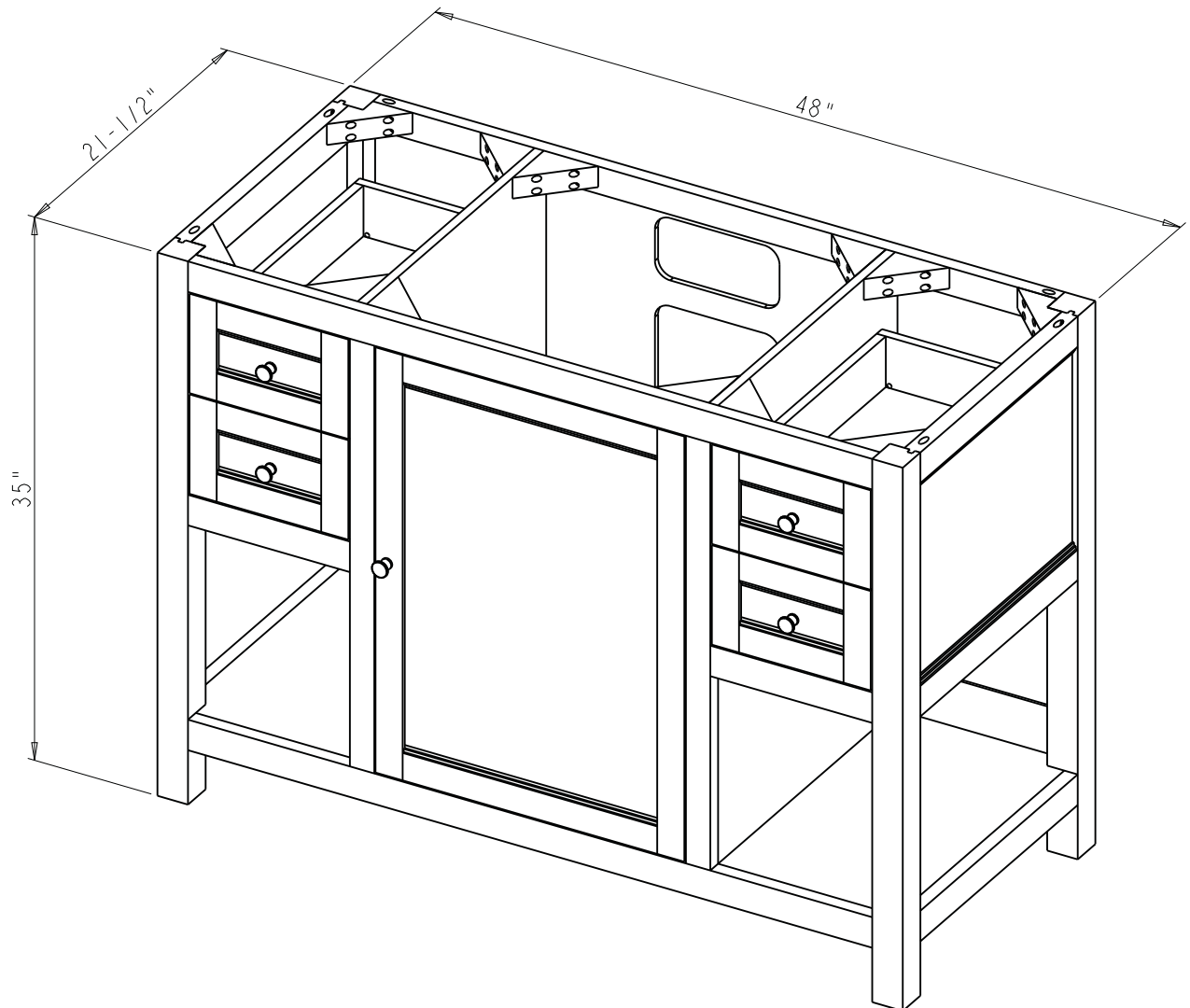



Specification:

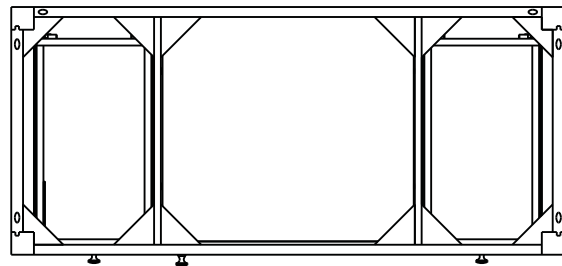
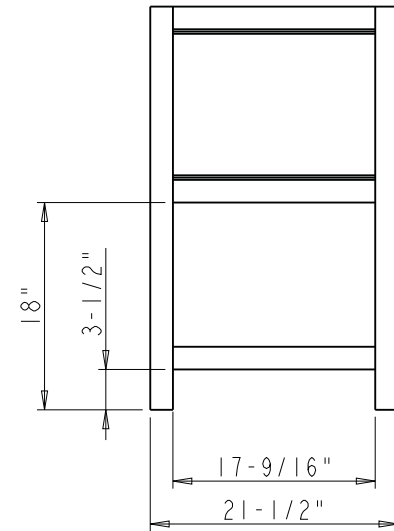
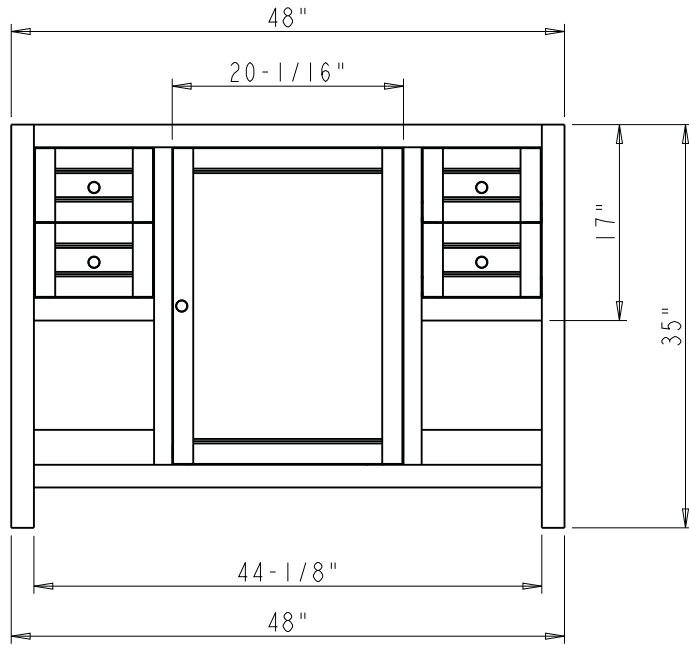
1. Material: PLY wood and Birch
2. Finish: See Table
3. Hardware: See Table
4. Shelf Supports: 1707BN (4 PCS)
5. Hinge: 700.0537.25 + 600.1234.05 (2 Set)
6. Slide: USE58-300-18 + US-CLIP-4W (5 Set)
7. The tolerance is +/- 1/8"

| Item number | Finish | Deco Hardware | |
|-----------------|----------|---------------|-----|
| | | Item number | Qty |
| VN2AST-48-WH-NT | White | 3915-SN | 5 |
| VN2AST-48-ES-NT | Espresso | 3915-SN | 5 |
| VN2AST-48-GR-NT | Grey | 3915-SN | 5 |

| | | | |
|---|---|--|--|
|  PROPRIETARY AND CONFIDENTIAL THE INFORMATION CONTAINED IN THIS DRAWING IS THE SOLE PROPERTY OF HARDWARE RESOURCES INC. ANY REPRODUCTION IN PART OR AS A WHOLE WITHOUT THE WRITTEN PERMISSION OF HARDWARE RESOURCES INC. IS PROHIBITED. | ITEM#: VN2AST-48 | MATERIAL: | |
| | FINISH: | WEIGHT: 9 | |
| | TOLERANCE UNLESS OTHERWISE SPECIFIED: X ±0.20 X.X ±0.10 X.XX ±0.05 ANGULAR: ±0.5° | UNITS: DRAWN BY: Hugo.cai APPROVED BY: SHEET: RELEASE LEVEL: | DATE: May-04-20 DATE: REVISION: |
| | DO NOT SCALE DRAWING | PROJECTION  | |



| | | | | | |
|---|---|--------|----------------|---------------------------|-----------------|
|  PROPRIETARY AND CONFIDENTIAL THE INFORMATION CONTAINED IN THIS DRAWING IS THE SOLE PROPERTY OF HARDWARE RESOURCES INC. ANY REPRODUCTION IN PART OR AS A WHOLE WITHOUT THE WRITTEN PERMISSION OF HARDWARE RESOURCES INC. IS PROHIBITED. | ITEM#: VN2AST - 48 | | MATERIAL: | | |
| | FINISH: | | WEIGHT: 9 | | |
| | TOLERANCE UNLESS OTHERWISE SPECIFIED: X ±0.20 X.X ±0.10 X.XX ±0.05 ANGULAR: ±0.5° | | UNITS: | DRAWN BY: <i>Hugo.cai</i> | DATE: May-06-20 |
| | DO NOT SCALE DRAWING | | SIZE: | APPROVED BY: | DATE: |
| | | SHEET: | RELEASE LEVEL: | REVISION: | |



| | | | | | |
|---|---|--------------|----------------|------------------------------|--------------------|
| <p>hardware resources</p> <p>PROPRIETARY AND CONFIDENTIAL</p> <p>THE INFORMATION CONTAINED IN THIS DRAWING IS THE SOLE PROPERTY OF HARDWARE RESOURCES INC. ANY REPRODUCTION IN PART OR AS A WHOLE WITHOUT THE WRITTEN PERMISSION OF HARDWARE RESOURCES INC. IS PROHIBITED.</p> <p>DO NOT SCALE DRAWING</p> | ITEM: VN2AST - 48 | | MATERIAL: | | |
| | FINISH: | | WEIGHT: | | |
| | TOLERANCE UNLESS OTHERWISE SPECIFIED: X ±0.20 X.X ±0.10 X.XX ±0.05 ANGULAR: ±0.5° | | UNITS: | DRAWN BY: <i>Hugo.cai</i> | DATE: May-04-20 |
| | SIZE: | APPROVED BY: | RELEASE LEVEL: | REVISION: | |