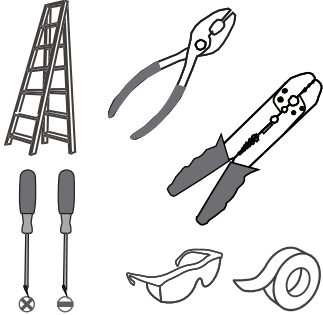
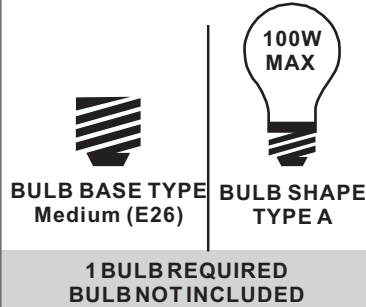


**Tools Required**



**Light Source**



**Warnings and Cautions**

Turn off the electricity at the circuit breaker before installation. Consult a licensed electrician if in doubt about installation.

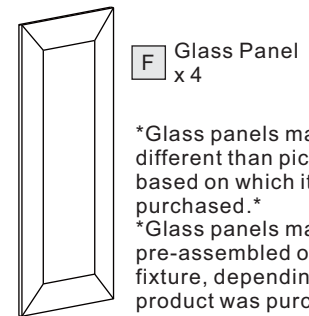
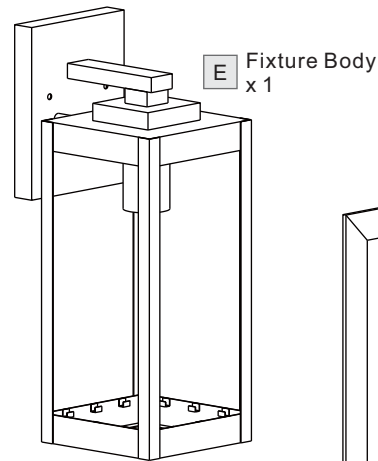
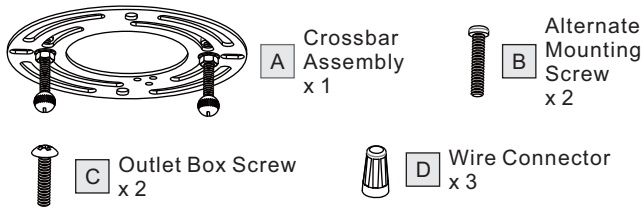
Turn off power to the fixture and allow the bulbs to cool before replacing.

**Package Contents**

**Preparation:** Identify and inspect all parts before beginning the installation.

Missing or damaged parts? Contact your original place of purchase.

**PARTS BAG**



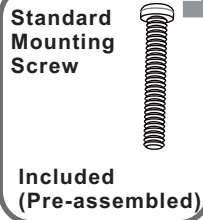
\*Glass panels may be different than pictured based on which item was purchased.\*  
\*Glass panels may be pre-assembled on the fixture, depending on which product was purchased.\*

**Table of Contents**

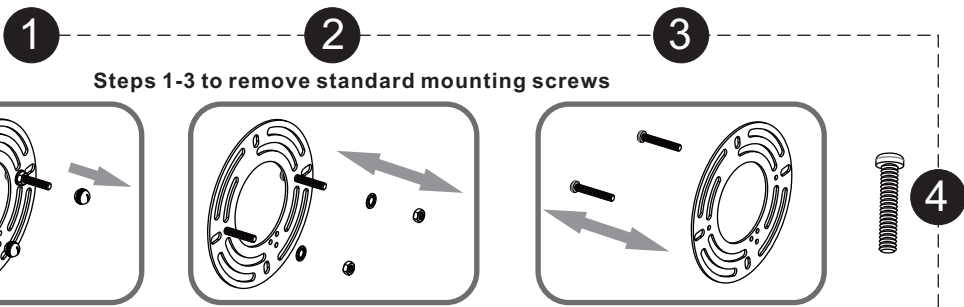
Alternate Mounting Screw	Crossbar Assembly	Glass Panel	Wiring	Fixture Body	Bulb	Caulk
STEP 1	STEP 2	STEP 3	STEP 4	STEP 5	STEP 6	STEP 7

# STEP 1

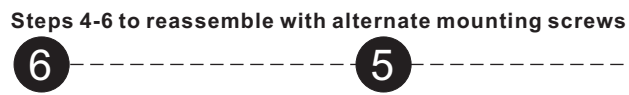
OPTION 1



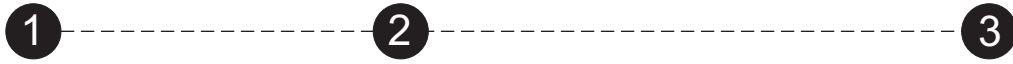
skip to next page



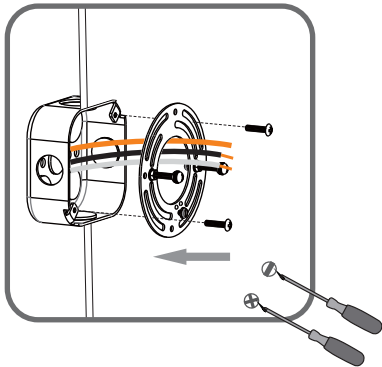
OPTION 2



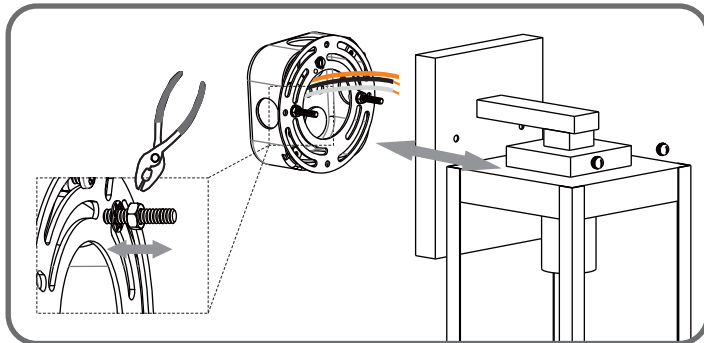
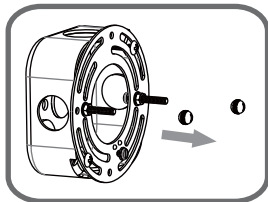
# STEP 2



Step 1  
Install crossbar assembly

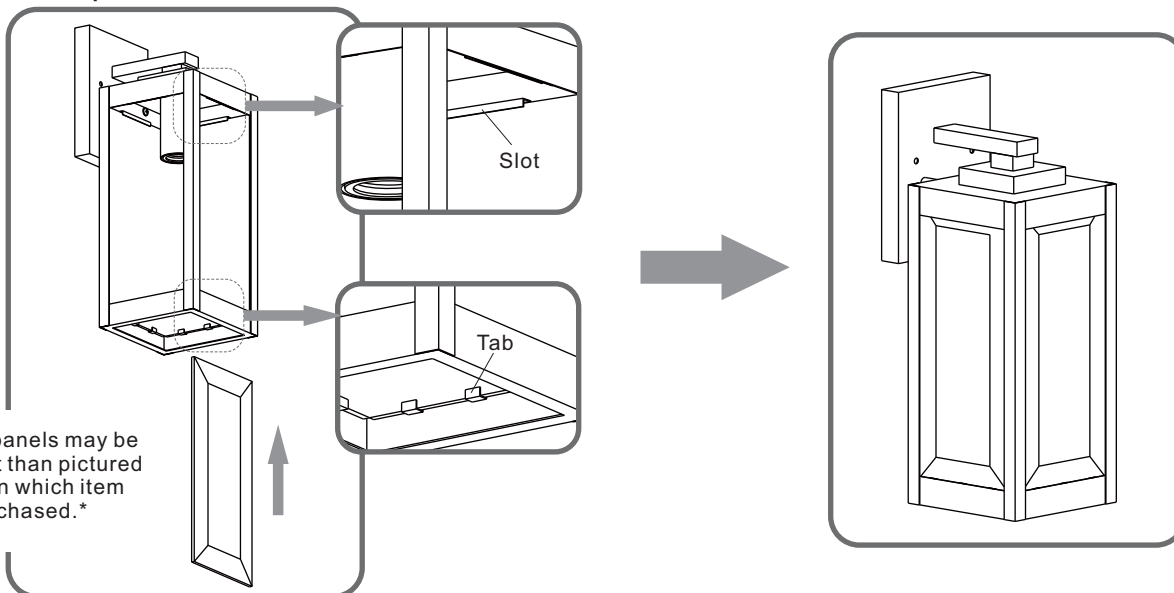


Step 2 - 3  
Test fitting backplate to mounting screws

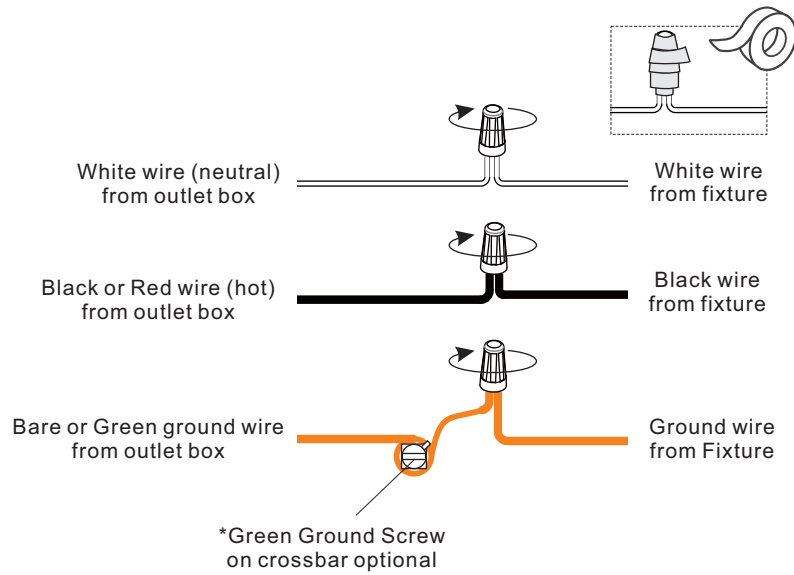


# STEP 3

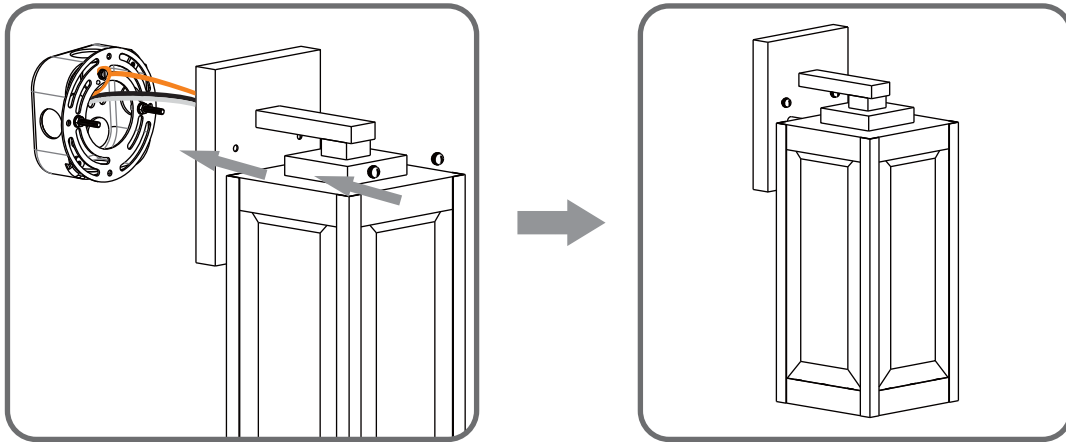
\*If the glass panels on the product you purchased are pre-assembled to the fixture, skip this step and proceed to the next step in the instructions\*



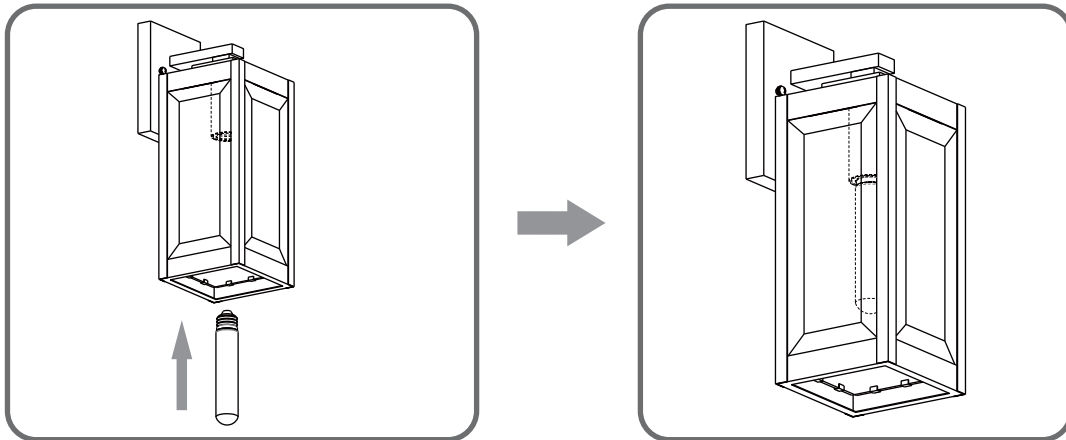
## STEP 4



## STEP 5



## STEP 6



**STEP 7**

