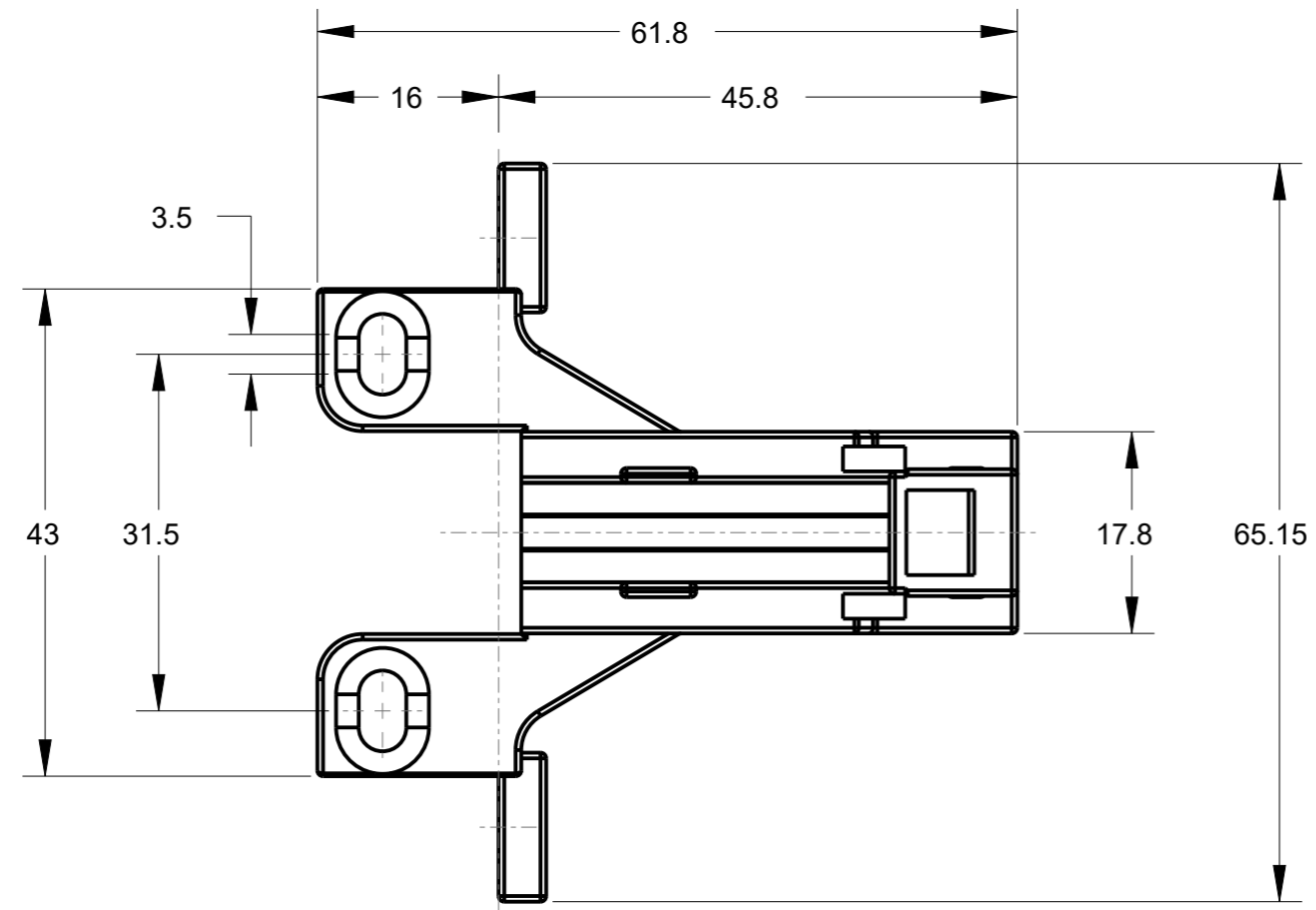
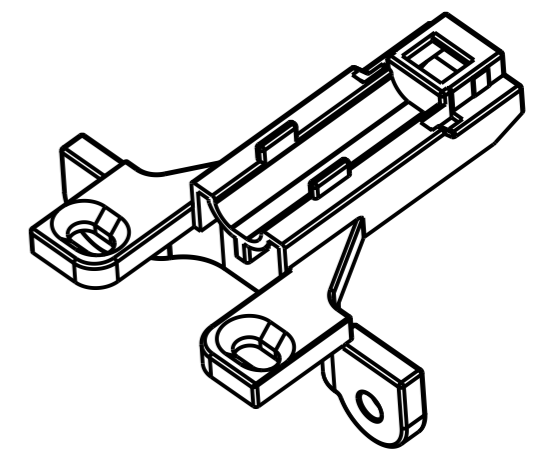
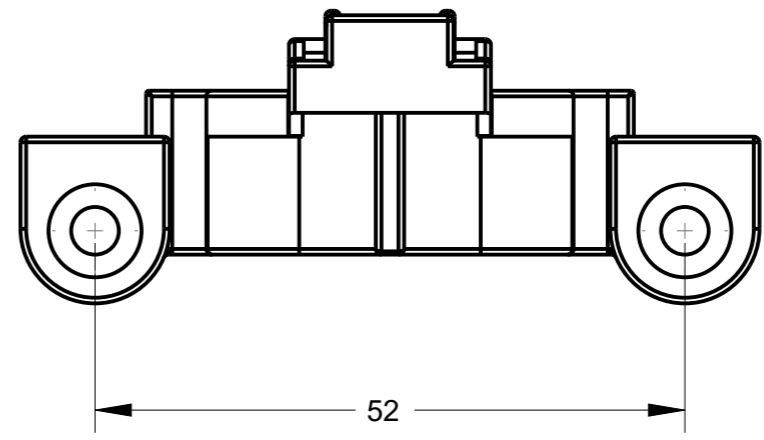
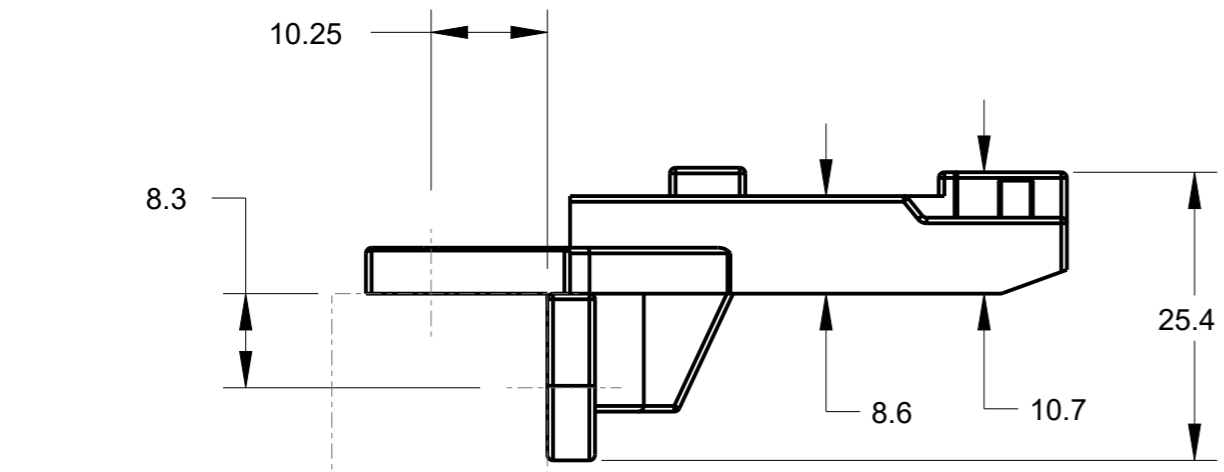


8 7 6 5 4 3 2 1

F
E
D
C
B
A



HR ITEM NUMBER	PRODUCT DESCRIPTION
600.3459.65	PLATE, 600, FF, ZINC, NON-CAM ADJ, HEAVY DUTY, 3MM

THIRD ANGLE PROJECTION 		hardware resources		
MATERIAL ZINC	FINISH NICKEL PLATED			
DRAWN BY GREG DAVIS	DATE 01MAR2022	DRAWING 600-3459		REV A
DESIGNED BY SOURCED	DATE N/A	SIZE A3	SCALE 1.500	SHEET 1 / 1
APPROVED BY DENNIS MCGREGOR	DATE 02MAR2022			

DOCUMENT STATUS Released

HARDWARE RESOURCES RESERVES THE RIGHT TO CHANGE SPECIFICATIONS WITHOUT NOTICE. IN CASE OF A DISCREPANCY, ACTUAL PART GEOMETRY SUPERSEDES THIS DOCUMENT.

THE INFORMATION CONTAINED WITHIN THIS DRAWING IS THE SOLE PROPERTY OF HARDWARE RESOURCES INC. ANY REPRODUCTION IN PART OR WHOLE WITHOUT WRITTEN PERMISSION OF HARDWARE RESOURCES INC. IS PROHIBITED.

8 7 6 5 4 3 2 1