

Falmouth Outdoor Post

CO1064 | 1.0

VISUAL COMFORT & Co.

STUDIO COLLECTION

GENERAL PRODUCT INFORMATION:

This product is safety listed for wet locations.

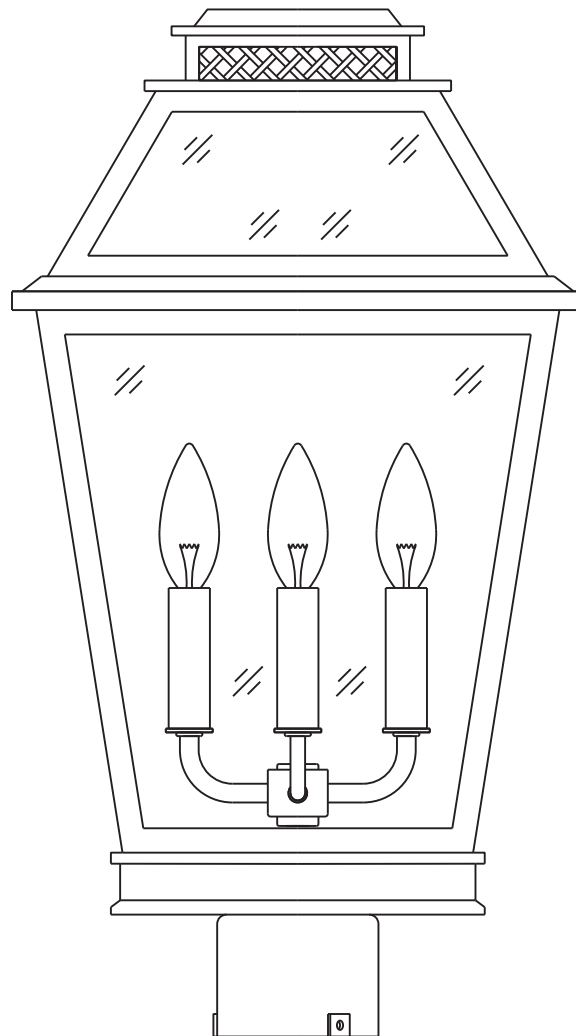
Incandescent lamps may be dimmed with a standard incandescent dimmer. LED lamps may be dimmed with a LED dimmer. Consult lamp manufacturer for additional information.

This instruction shows a typical installation.

CAUTION - RISK OF FIRE

This product must be installed in accordance with the applicable installation code by a person familiar with the construction and operation of the product and the hazards involved.

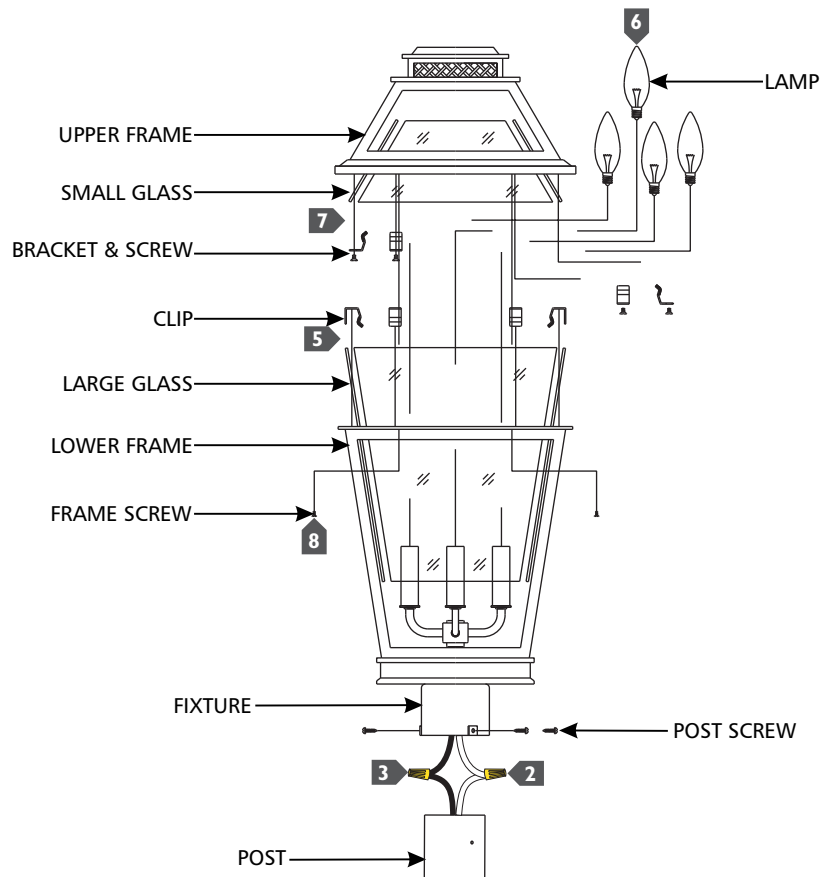
Use minimum 90°C supply conductors.



SAVE THESE INSTRUCTIONS!

Install the Fixture

IA



- 1 Connect the fixture to a suitable ground in accordance with local electrical codes.
- 2 Connect the white fixture wire to the neutral power line wire with a wire nut.
- 3 Connect the black fixture wire to the hot power line wire with a wire nut.
- 4 Secure the fixture to the post with the post screws making sure to neatly tuck in all wiring.
- 5 Install the large glass to the lower frame and secure the glass in place using the clips.
- 6 Screw the lamps into the sockets. Refer to the label on the lamp socket for Max Wattage information.
- 7 Install the small glass to the upper frame and secure the glass in place using the brackets and screws.
- 8 Install the lower frame to the upper frame using the frame screws.