

Let's get this fire started

PORTABLE FIRE PIT USER GUIDE


Tiki
BRAND
fire pit
& WOOD PACK 

Table of contents

| | |
|---|-----------|
| Safety | 3 |
| Assembly | 5 |
| Lighting | 7 |
| Extinguishing | 8 |
| Care & Maintenance | 9 |
| Frequently Asked Questions | 10 |
| Limited Warranty | 11 |



Fire Pit safety

⚠️WARNING: DO NOT use this TIKI® Brand Fire Pit until you have read the operating instructions and safety warnings. Failure to do so can cause death, serious injury or property damage.

- FOR OUTDOOR USE ONLY. Toxic carbon monoxide fumes can accumulate and cause asphyxiation.



WARNING Hot Surface Hazard

DO NOT touch when in use. The Fire Pit will be extremely hot when burning. Never attempt to touch, move, or clean your Fire Pit while in use and wait until it has completely cooled down.

- DO NOT operate, light, or use the Fire Pit any closer than within 15 ft. of walls, structures or buildings, or other combustible materials such as dry grass/bushes, awnings, etc.
- DO NOT use under a patio roof, low hanging branches, trellises, or overhangs of any kind including covered porches.
- DO NOT use the Fire Pit in any explosive environment such as areas where flammable or combustible gases may be present.
- DO NOT use the Fire Pit with fuel sources other than the TIKI® Brand Wood Pack or natural cut firewood.
- DO NOT use an electric style grill starter. Use only matches or lighters which will provide a flame and then can be extinguished and moved away from the flame once the fire is ignited.
- DO NOT use gasoline, kerosene, diesel fuel, lighter fluid, alcohol, or any other flammable liquid to light or relight the Fire Pit.
- DO NOT store or use gasoline or any other flammable vapors, liquids, or materials in the vicinity of the Fire Pit.
- DO NOT store or use LP cylinders within 30 ft. of the Fire Pit while it is in operation.
- DO NOT use the Fire Pit on or near automobiles, trucks, vans, recreational vehicles, or boats.
- DO NOT place on any combustible surface such as wood, dry grass, leaves, mulch, etc.
- Only operate under the supervision of an adult.
- Keep clothing, hair and face away from flame when lighting.
- DO NOT lean over the Fire Pit when lighting or when it is in use.
- DO NOT breathe smoke from the fire and avoid getting smoke in your eyes.
- DO NOT use the Fire Pit while under the influence of drugs or alcohol.
- DO NOT leave the Fire Pit unattended, do not leave children or pets unattended near Fire Pit, and/or DO NOT leave a lit or hot Fire Pit unattended.
- Flames may reach a height of 3 ft. from the top of the Fire Pit.
- DO NOT use the Fire Pit in windy conditions.
- When using the Fire Pit, exercise the same precautions you would with any open fire.
- Never leave the Fire Pit unattended until the flames go out.
- DO NOT use water to extinguish the fire under normal circumstances as this could cause damage to the Fire Pit. Only extinguish with water during emergencies.



Fire Pit safety (cont.)

- DO NOT cover the Fire Pit with the cloth cover until it has completely cooled down approximately 12 hours.
- Always use the Fire Pit in accordance with all applicable local, state, and national codes. Contact your local fire department for details.
- DO NOT alter or modify the Fire Pit in any manner.
- The Fire Pit should be inspected and cleaned after every use.
- When lifting and moving the Fire Pit always wear protective clothes/gloves to prevent injury.

IMPORTANT: Natural cut firewood naturally contains sap, water, and air pockets as well as irregularities that lead to the potential to eject sparks. We recommend placing a fire screen (sold separately, see page 9) over the Fire Pit to prevent sparks from escaping. Always follow local laws and ordinances when burning.

Wood Pack safety

⚠WARNING: DO NOT use TIKI® Brand Wood Packs until you have read the operating instructions and safety warnings. Failure to do so can cause death, serious injury or property damage.

- TIKI® Brand Wood Packs contain petroleum distillates.
- This size Wood Pack is intended for outdoor use only. The Wood Pack is combustible.
- Keep out of reach of children and pets.
- Pellets are not intended for animal or human consumption. Consuming these pellets can cause sickness, serious illness, or death.
- If swallowed DO NOT induce vomiting, and contact poison control, a physician or local emergency services.
- Store the Wood Pack in a cool, dry, and well-ventilated area.
- Store away from flame or direct heat source, or anything that may puncture the bag.
- For TIKI® Brand Fire Pit use only. Not intended for grills, smokers, pellet burners, stoves, or any other enclosed burning system.
- DO NOT add additional Wood Packs until the flame reduces below the top rim of the Fire Pit.
- Never leave fire unattended.
- Disposal of Ashes—Once the unit has cooled down, ashes should be placed in a metal container with a tight-fitting lid. The closed container of ashes should be placed on a non-combustible floor or on the ground, well away from combustible materials, pending final disposal.
- When the ashes are disposed by burial in soil or otherwise locally dispersed, they should be retained in the closed container until all cinders have thoroughly cooled.

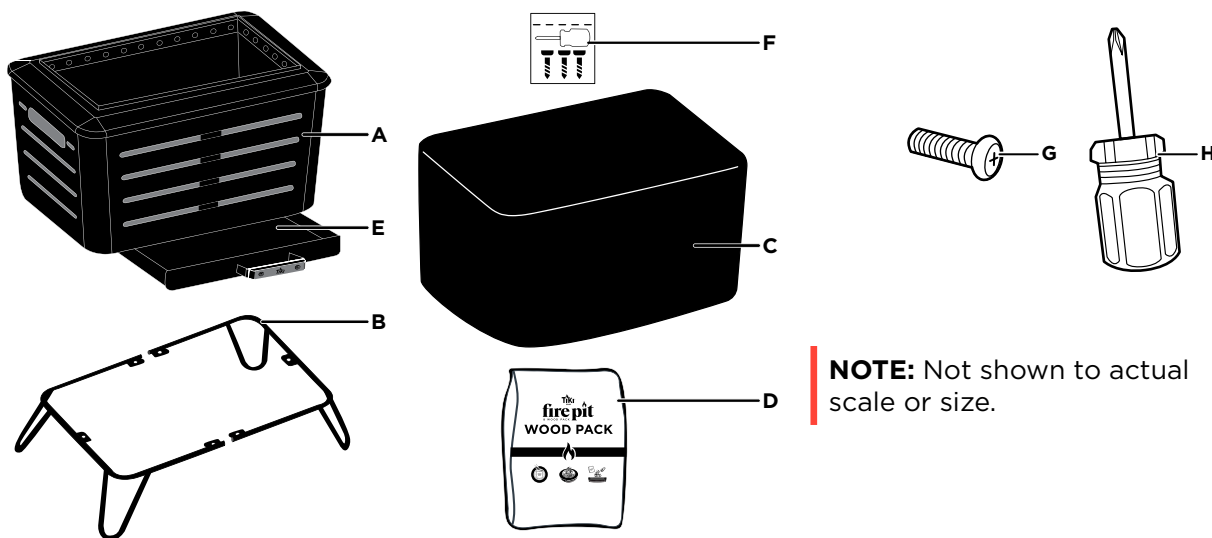


Pre-assembly

⚠ CAUTION: Some parts may contain sharp edges. Wear protective gloves when assembling, moving, or handling product.

Compare all parts with the Package Contents and Hardware Included lists. If any part appears missing or damaged, DO NOT assemble or use this product. Return to the place of purchase or contact Customer Service at **1-888-473-1088**.

| Part | Description | Quantity |
|------|--|----------|
| A | Fire Pit | 1 |
| B | Legs | 2 |
| C | Cover | 1 |
| D | Wood Pack | 1 |
| E | Ash Pan (preassembled to Fire Pit) | 1 |
| F | Hardware Pack | 1 |
| G | Screws (included in Hardware Pack F) | 6 |
| H | Phillips Screwdriver (included in Hardware Pack F) | 1 |

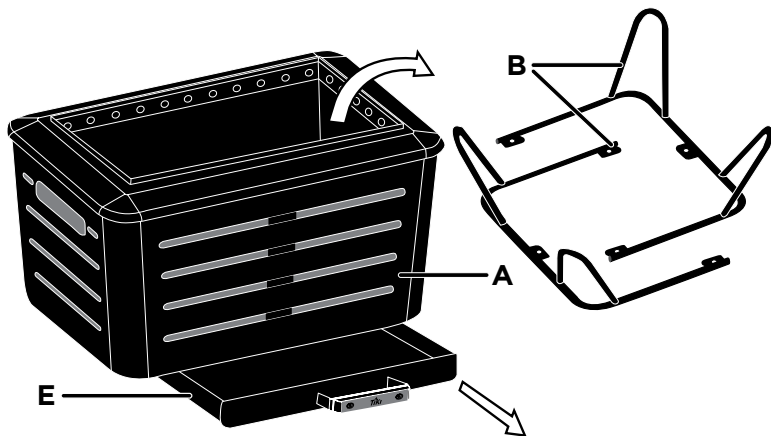


NOTE: Not shown to actual scale or size.



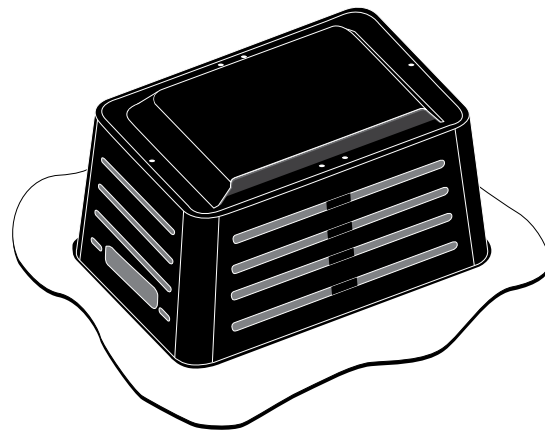
Assembly

⚠ CAUTION: Some parts may contain sharp edges. Wear protective gloves when assembling, moving, or handling product.



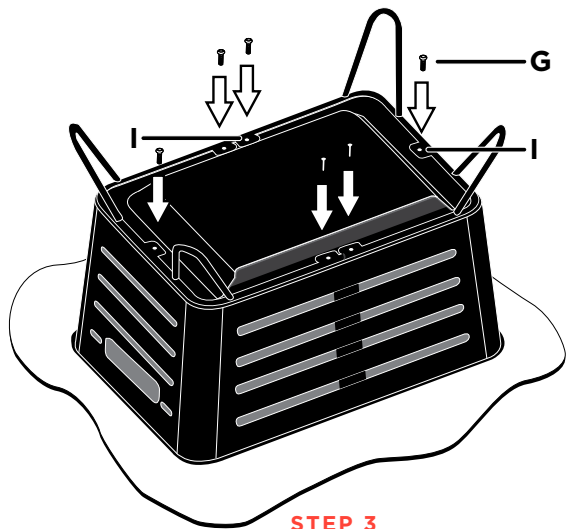
STEP 1

Remove contents and legs (B) from inside the Fire Pit (A) and remove the ash pan (E).



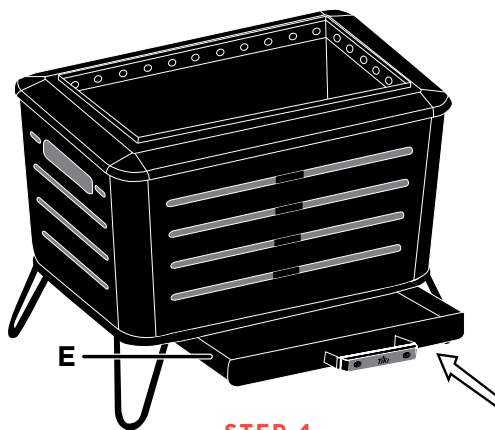
STEP 2

To prevent scratching or damage, set the Fire Pit upside down on a soft surface.



STEP 3

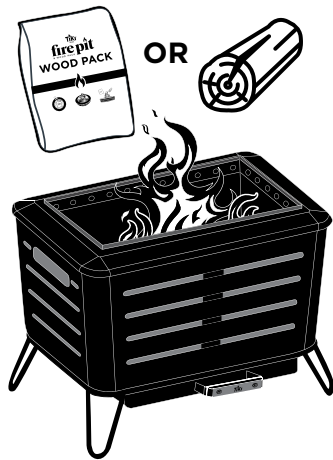
Align the leg tabs (I) and screw in all 6 screws (G).



STEP 4

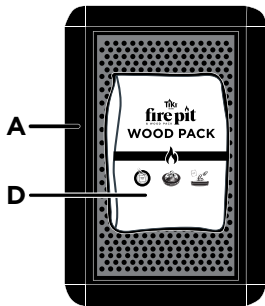
Turn the Fire Pit back over and re-insert the ash pan (E).

Light your Fire Pit



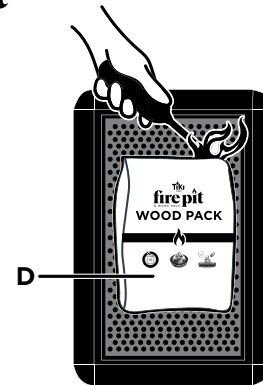
You can use TIKI® Brand Wood Packs (see below) or natural cut firewood (see page 8) to light your fire.

Light your Fire Pit using TIKI® Brand Wood Packs



STEP 1

Place the Wood Pack (D) in the Fire Pit (A) with the flat side down.



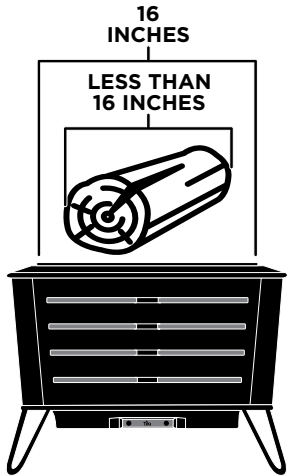
STEP 2

Light all 4 corners of the Wood Pack (D). The safest method for igniting is to use a long-stemmed match or lighter and ensure you are not wearing loose clothing. You should see a full flame in under 5 minutes.

CAUTION: Keep clothing, hair and face away from flame when lighting.



Light your Fire Pit using natural cut firewood



- Stack kindling, newspaper, a commercially-available fire starter or TIKI® Brand Fire Starter, in the center of the Fire Pit.
- Build larger pieces of wood around the fire starter.
- Ignite the kindling, newspaper, or fire starter with a match. Use with caution as these ignitable materials could catch fire quickly and could cause burns if your hand is too close to the fire.
- DO NOT use lighter fluid to light the natural cut wood. Logs should be less than 16 in. in length. DO NOT use any flammable fluids (gasoline, lighter fluid, etc.) to light or relight fires. Doing so could cause serious injury and lead to the fire getting out of control.

Extinguishing

The safest and preferred method for extinguishing a fire is to wait it out and allow the fire to burn out naturally. This method takes the longest but results in the least amount of smoke, less mess, and the best experience. To ensure the fire goes out completely, NEVER leave the Fire Pit unattended.

Only in the case of an emergency should you use a garden hose and water:

NOTE: If no garden hose is available, you can pour water over the Fire Pit. Use caution as this generates a significant amount of steam and smoke. You can also use sand or a dry chemical extinguisher that is specified for wood fire applications.

- Stand back at least 5 ft. while spraying to avoid the hot steam and debris.
- Spray the coals and inside the Fire Pit continuously for 5 minutes or until there is no visible flames and steam has dissipated.
- Using your fire poker (sold separately), stir remaining contents to ensure no hot coals or flames remain. Spray an additional 5 minutes if flames persist.



Care & maintenance

⚠ CAUTION: Allow the Fire Pit to cool for at least 12 hours before performing any cleaning or maintenance. Some parts may contain sharp edges. Wear protective gloves when moving or handling product.

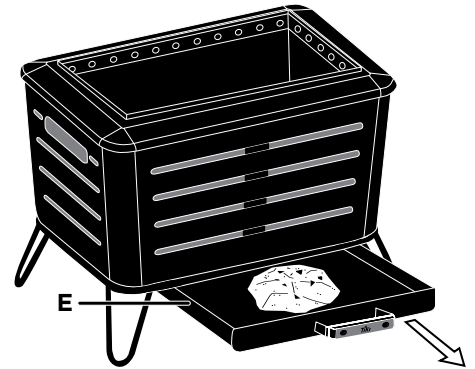
With proper care, you can improve the efficiency and performance of your Fire Pit and prolong its life. Here is how you should care for your Fire Pit:

- **Cover during periods of inactivity.** Cover the Fire Pit after the Fire Pit has completely cooled.
- **Clean out ash regularly after Fire Pit has cooled completely.** Cleaning regularly will help maintain airflow and reduce smoke. Carefully brush the left-over ash through the grate and into the ash tray. Remove the ash tray (E) and dispose of the ash and debris properly. Wood ash mixed with water creates a basic (alkaline) solution which can affect finishes and stainless steel.

You should always use metal containers for ash disposal. Never leave the ash container on a combustible surface.

DO NOT use or dispose of ash in a garden or landscape application unless you review local laws and ordinances.

- **Clean the Fire Pit with dish soap or baking soda.** Rinse clean with water. Thoroughly clean the top of the Fire Pit if you notice any residue. DO NOT use oven cleaner or abrasive cleaners as they will damage the finish. Thoroughly dry the Fire Pit with a soft cloth to prevent rust from forming.



Keep the fire going

FOR MORE WOOD PACKS AND OTHER PRODUCTS TO HELP YOU ENJOY YOUR FIRE, VISIT TIKIBRAND.COM



Frequently asked questions

Can I use firewood in the Fire Pit?

Yes. Never use “green” wood. For example, freshly cut wood from a live tree (cut less than six months prior to each use.). The moisture content is too high and will result in smoke and incomplete combustion. Logs should be less than 16 in. in length. At least one portion of every log should be touching the bottom of the flame basin for maximum stability. Never add flammable or combustible liquids to the Fire Pit after ignition. This could lead to flare ups in the ash pan and flame basin.

Can I add more than one Wood Pack?

Avoid adding a second Wood Pack until the flames stop reaching above the top of the Fire Pit. Adding a second Wood Pack too early reduces your total burn time. The Wood Pack burns with a flame for approx. 30 min.

What are the Wood Packs made of?

The patent pending TIKI® Brand Wood Pack is made from wood pellets mixed with a starter fluid and sealed in the easy light bag. The pellets are made from sawdust that is sourced as a by-product from a number of manufacturing processes (lumber, window frames, hardwood flooring, etc.). The result is an energy dense and sustainable way to light your fire.

Can I control the flame height?

The Wood Pack is designed to maintain a full and consistent flame for approximately 30 minutes. If you desire more control over the flame size you can use wood logs and add more or less based on preference.

When should I add another Wood Pack or firewood?

When the flames stop reaching above the top of the Fire Pit, add another Wood Pack or firewood to continue burning with a brilliant flame.

Do I have to stir the wood pellets after lit, if using a Wood Pack?

TIKI® Brand Wood Packs do not require stirring. The deeper the wood pellet bed remains, the longer your burn time will extend. Use with fire poker (sold separately) that is at minimum 30 in. long.

Can I cook or roast marshmallows over the Fire Pit?

Yes , if you follow all other instructions, warnings, and good fire safety practices. If cooking over the TIKI® Fire Pit and Wood Pack, wait until flames die down and the wood pellets begin to form glowing coals.

Do I need lighter fluid or newspaper to start the Wood Pack?

No, simply light the bag in each corner to start the fire.

How do I clean the Fire Pit?

If soot or ash has accumulated on the outside of the Fire Pit, once the Fire Pit is completely cool, wipe down with a damp cloth. Rinse with clean water and use dish soap or baking soda. DO NOT use any abrasive cleaners as they will damage the finish. Once you've removed all residue, dry with a soft cloth to prevent any rust from forming.

How long do I have to wait before I put the cover on?

If using the TIKI® Brand Wood Pack, this should take approximately 12 hours and is designed to completely consume leaving minimal ash. If you are using wood logs, times will vary depending on the amount of wood used and consumed. Be sure to clean out all ash, taking appropriate safety measures, to ensure there are no embers left over before putting the cover on.



Frequently asked questions

Where can I put my Fire Pit?

The Fire Pit should not be used closer than 15 ft. to any walls, structures or buildings, and should not be placed on any combustible surface such as wood, dry grass, leaves or mulch. Flames may reach a height of 3 ft. above the top of the Fire Pit. Further, the Fire Pit should not be used under a patio roof, any low hanging branches, trellises or overhangs of any kind, including covered porches. If used on a grassy area, you should have a non-flammable, heat resistant mat placed under the Fire Pit.

How do I get the least amount of smoke possible?

The Fire Pit was designed to create the perfect environment for a low smoke burn, but there are a few factors that ensure a low smoke fire.

1. TIKI® Wood Packs were designed specifically for this purpose and will require the least amount of effort. **2.** When using firewood make sure it is dry, seasoned, cut to less than 16", and positioned under the top edge of the Fire Pit. Starting your fire with the TIKI® Fire Starter will decrease the amount of time needed to get your fire up to a temperature for emitting as little smoke as possible. **3.** If you have done steps 1 or 2 and are still experiencing smoke, make sure your pit has been cleaned thoroughly. Any leftover ash can hinder airflow and create unwanted smoke.

How many logs fit comfortably inside the Fire Pit and what configuration is recommended?

Approximately 2 standard split cord wood logs should fit. Be sure all logs are under 16" in length and fit underneath the top edge of the fire pit to ensure low smoke benefits.

How often do I need to empty the ash catcher pan?

The pan should be emptied after every use.

What are the best practices for storing my Fire Pit?

Keep the Fire Pit in a covered environment away from moisture. Keep it out of reach of children and pets.

Can I use this Portable Pit camping?

Yes, but be mindful of all other use instructions, local laws, and ordinances.

What are the best practices for transporting in a vehicle?

Make sure fire pit is cool and ash is properly disposed of. Put the cover on to contain the ash tray and any leftover debris.

For more information on other things you should know, refer to this user guide or visit **tiki brand.com**.

Limited Warranty

Visit tikibrand.com/customer-service/our-guarantee or contact us at 1-888-473-1088 for more information.

For information on patents go to tikibrand.com/patents

⚠️ WARNING: This product and combustion products emitted when this product is burning can expose you to chemicals including carbon monoxide which is known to the State of California to cause birth defects or other reproductive harm, and lead which is known to the State of California to cause Cancer and birth defects or other reproductive harm. For more information go to www.P65warnings.ca.gov.





TIKIBRAND.COM

4001211 REV 2

©2022 Lamplight Farms Incorporated