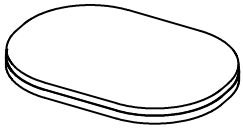


ASSEMBLY INSTRUCTION

SIDE TABLE WITH FAUX MARBLE TOP & SHELVES

A Shelf Panel



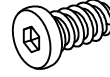
3 pcs

B Leg Post



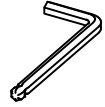
4 pcs

C Bolt
Ø3/16"x5/8"

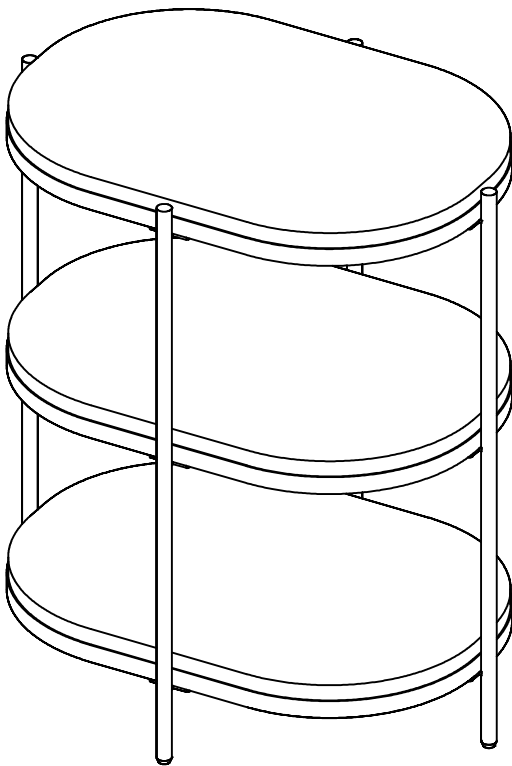


24 pcs

D Allen Key
M4

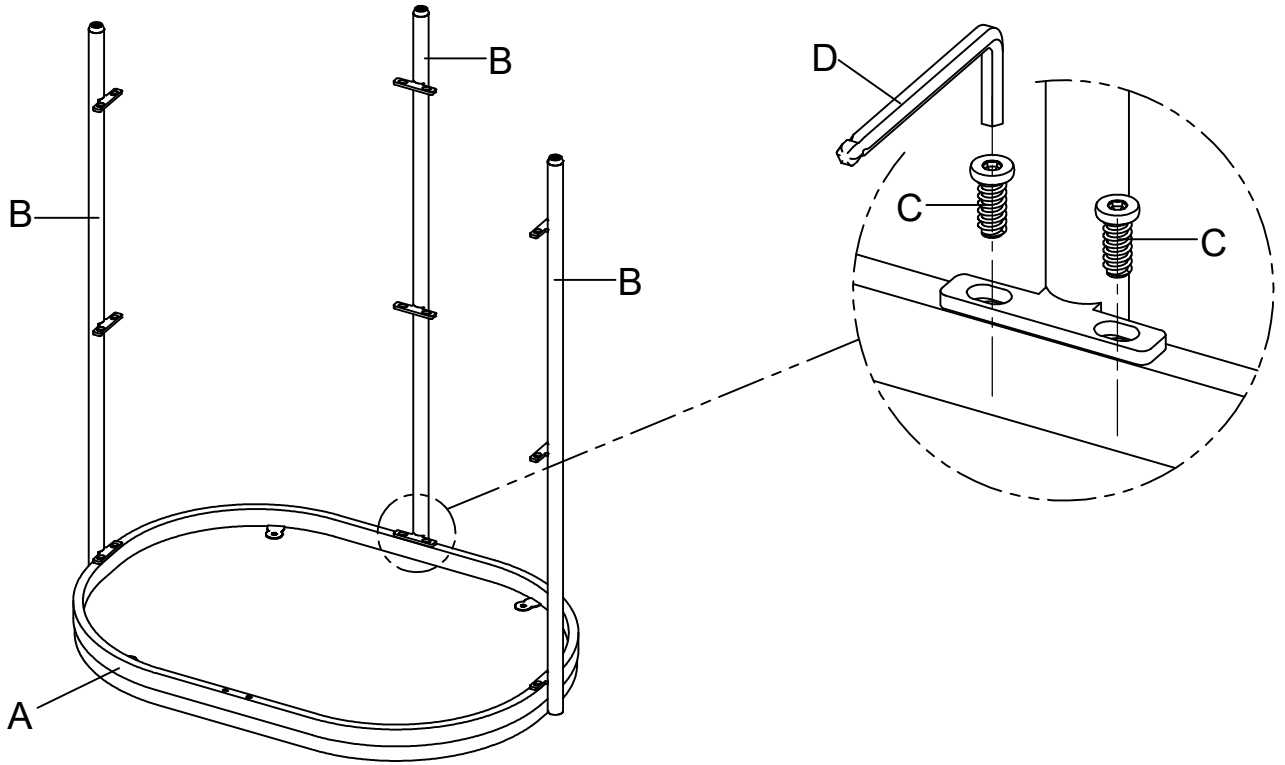


1 pc

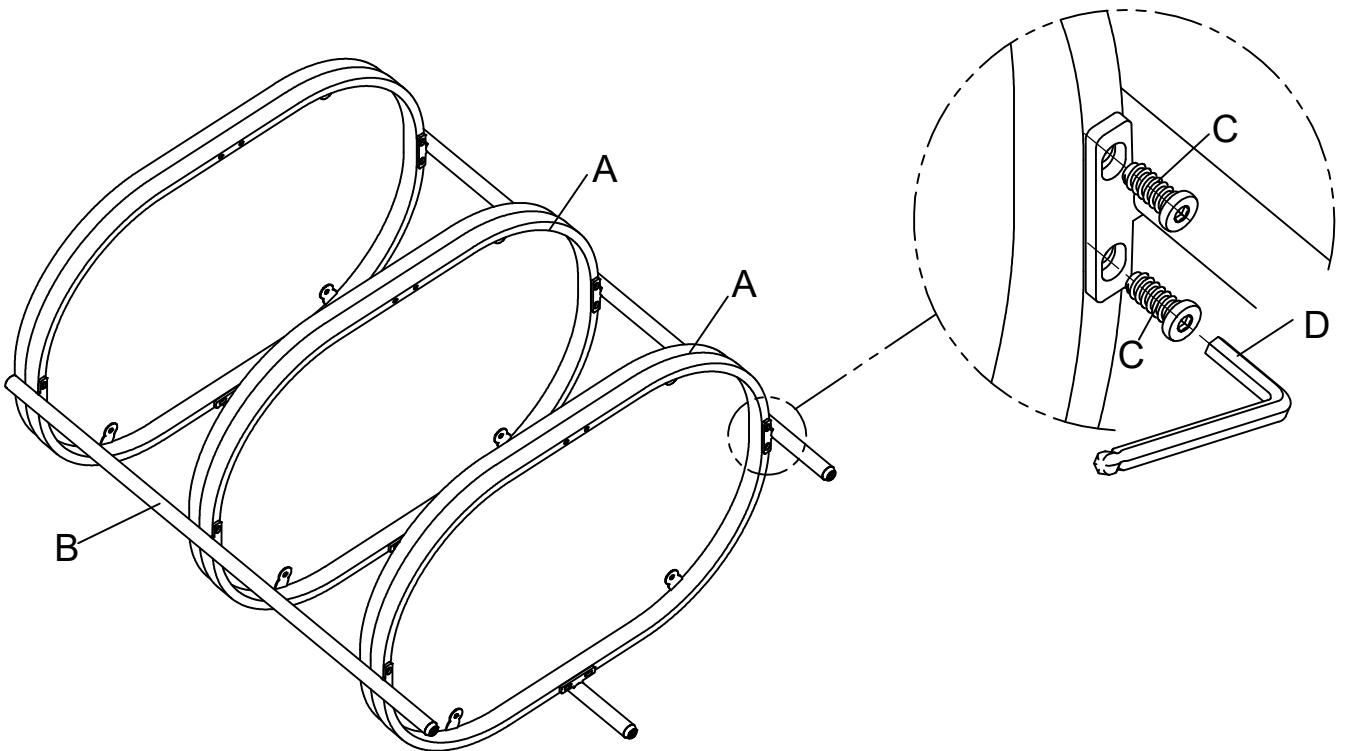


This page lists all the contents included in the box. Please take the time to identify the hardware as well as the individual components to this product. As you unpack and prepare for assembly, place the contents on a carpeted or padded area to protect them from damage.

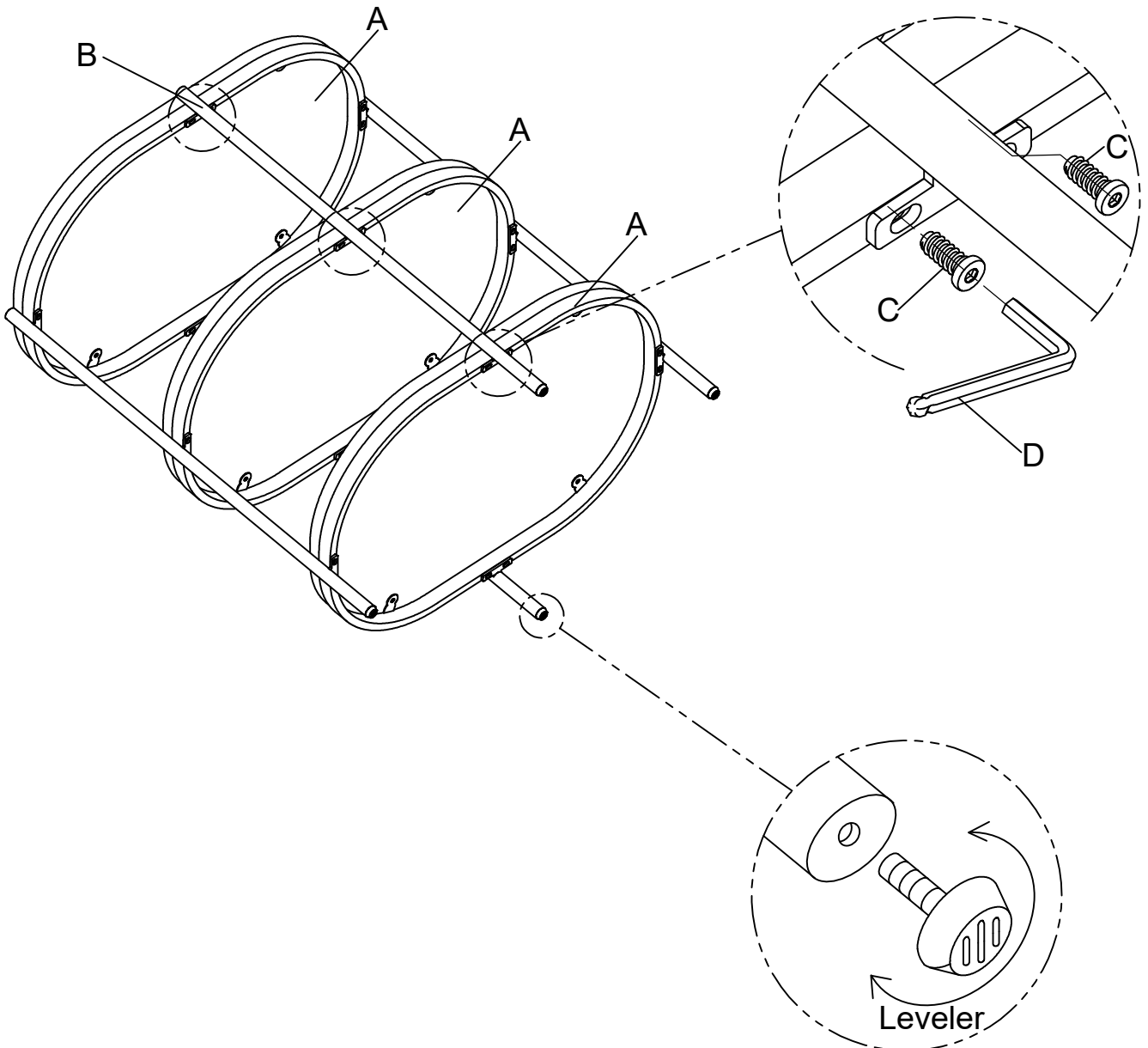
- 1** Attach 1pc of Shelf Panel (A) to the top of 3pcs of Leg Post (B), using Bolt (C) by Allen Key (D) as below shown.



- 2** Attach the rest 2pcs of Shelf Panel (A) to Leg Post (B), using Bolt (C) by Allen Key (D) as below shown.



- 3** Attach the rest 1pc of Leg Post (B) to pre-assembled Shelf Panel (A), using Bolt (C) by Allen Key (D) as below shown.



Turn left or turn right to adjust the leveler until it is stabilized.

Adjust any parts out of alignment and tighten all bolts from step 1 through 3.

Cleaning & Care

Treat surface with care. Surface is resistant to scratches but is not scratch resistant. Clean surfaces with a dry or damp soft cloth. Do not use abrasive cleaners. Hardware may loosen over time. Periodically check that all connections are tight.