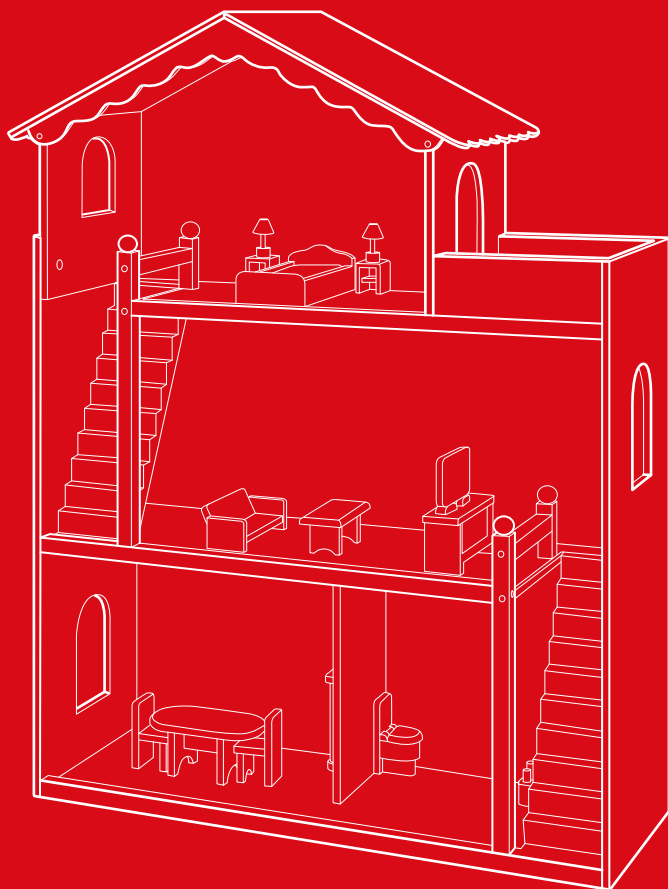




bestchoiceproducts



INSTRUCTION MANUAL

3-Story Wooden Dollhouse

! NOTICE

Please retain these instructions for future reference.

- Product is intended for indoor use only.
- Do not stand on or use any part of this product as a step ladder.
- Firmly secure all bolts, screws and knobs before use.
- Reconfirm that all bolts, screws, and knobs are secure every 90 days.
- If any parts are missing, broken, damaged, or worn, stop using this item until repairs are made and/or factory replacement parts are installed.
- Do not use this item in a way inconsistent with the manufacturer's instructions as this could void the product warranty.
- To clean, wipe down product with a damp cloth, then wipe it down once more with a dry cloth.

TOOLS REQUIRED



PHILLIPS
SCREWDRIVER



1 PERSON
ASSEMBLY



APPROXIMATELY
45 MINUTE
ASSEMBLY

HARDWARE

1 M4 x 45mm
SCREW



13 PCS

2 M4 x 35mm
SCREW



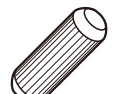
31 PCS

3 M6 x 10mm
BOLT SET



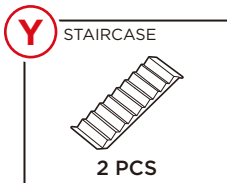
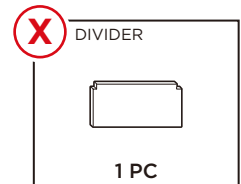
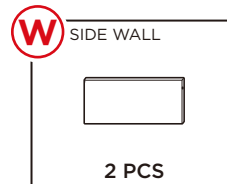
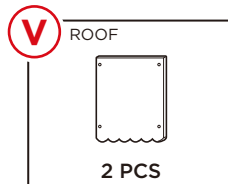
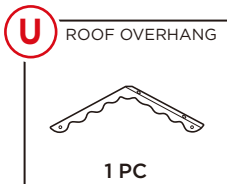
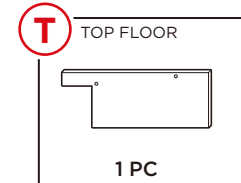
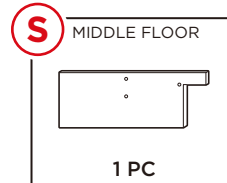
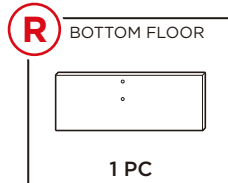
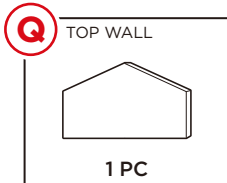
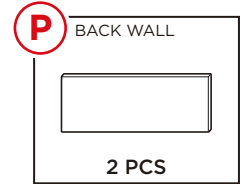
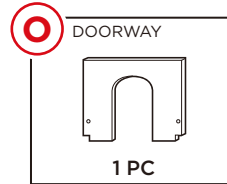
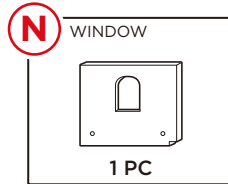
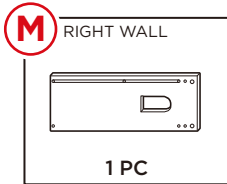
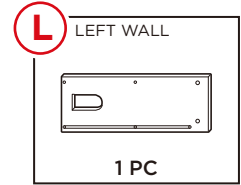
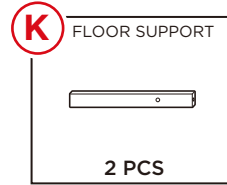
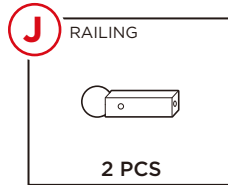
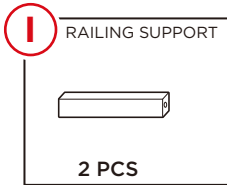
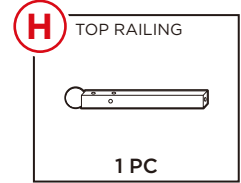
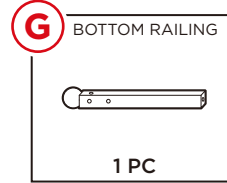
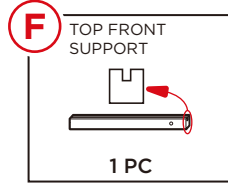
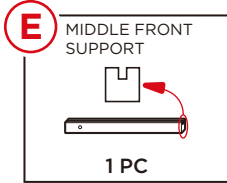
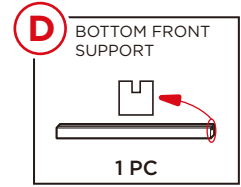
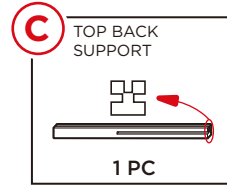
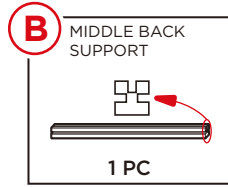
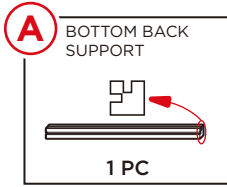
2 SETS

4 M5 x 25mm
DOWEL



2 PCS

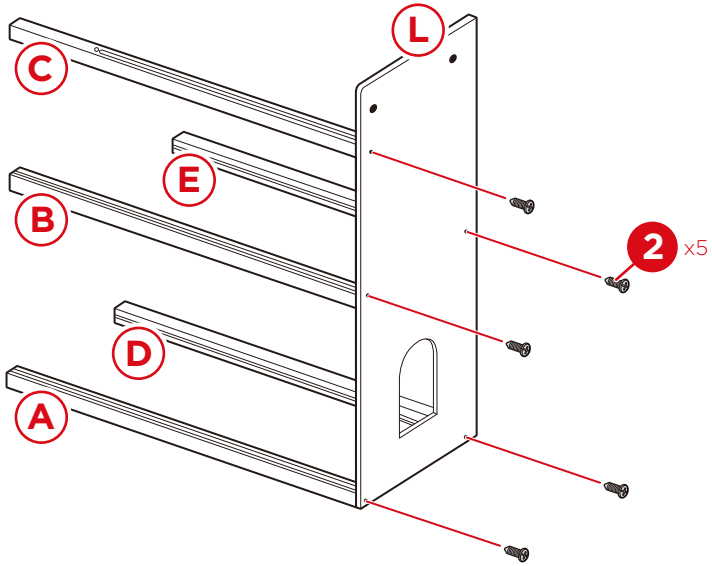
PARTS



PRODUCT ASSEMBLY

1

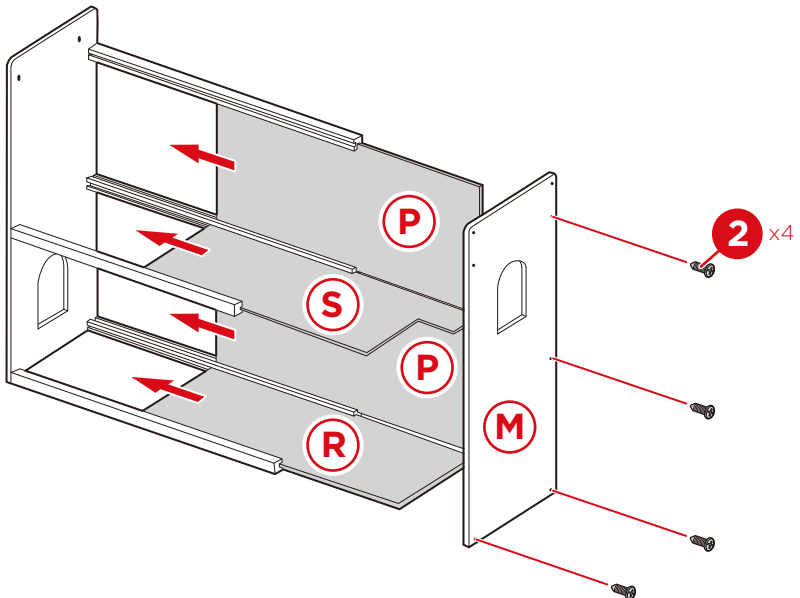
Attach the part A, B, C, D, and E supports to the part L left wall with five part 2 screws.



2

Slide two part P back wall pieces between the longer supports to form the back wall of the doll house. Slide the part R bottom floor between the supports to form the first floor. Slide the part S middle floor between the supports to form the second floor.

Attach the part M right wall to the side of the doll house with four part 2 screws.

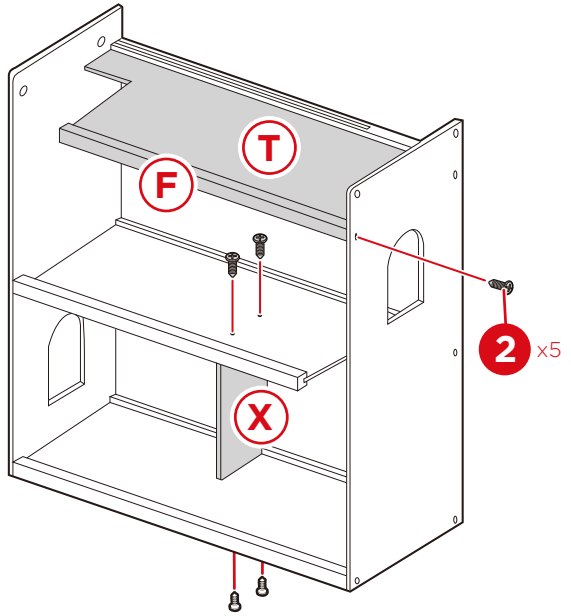


PRODUCT ASSEMBLY

3

Slide the part T top floor into part C to form the third floor. Secure the top floor with the part F support. Attach the support to the wall with a part 2 screw.

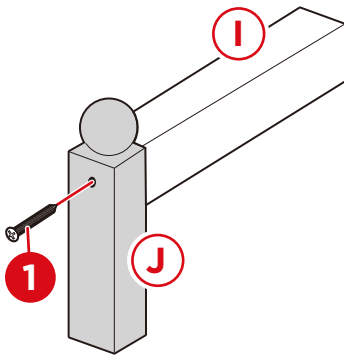
Use the part X divider to separate the first floor into two rooms. Secure the divider with four part 2 screws, two on each side.



4

Attach the part J railing to part I railing support with a part 1 screw.

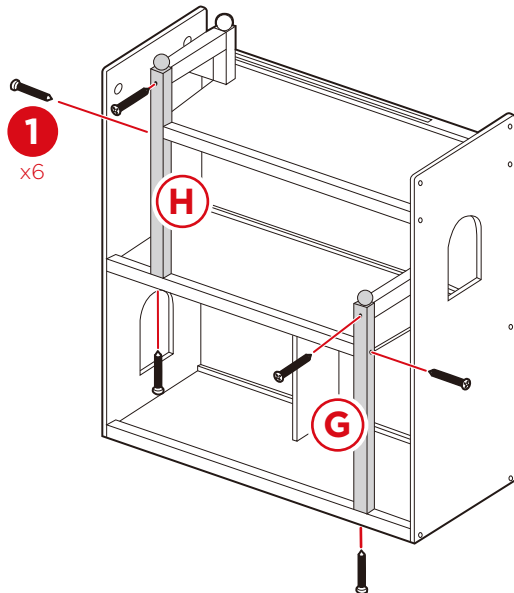
Repeat this to build another railing.



5

Place the two railings on the second floor and third floor. Attach the part G bottom railing to the doll house between the first and second floor with three part 1 screws.

Repeat this to attach the part H top railing to the doll house between the second and third floor.

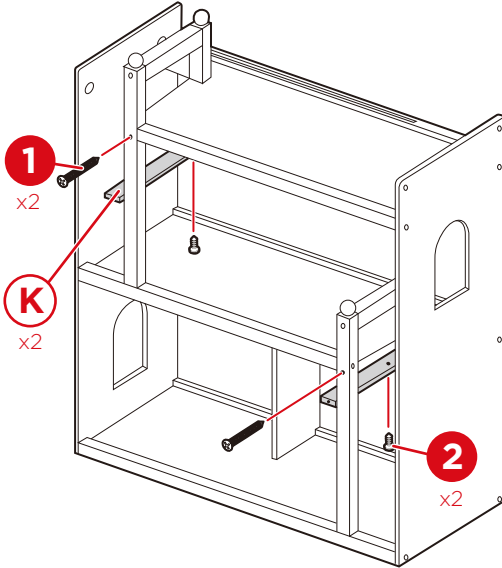


PRODUCT ASSEMBLY

6

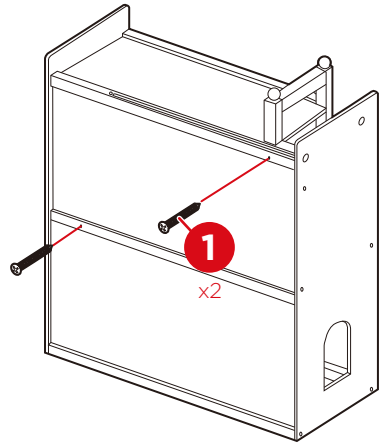
Place a part K floor support beneath the stairwell railing between the first and second floor and secure it with a part 1 screw and part 2 screw.

Repeat to attach another floor support beneath the stairwell railing between the second and third floor.

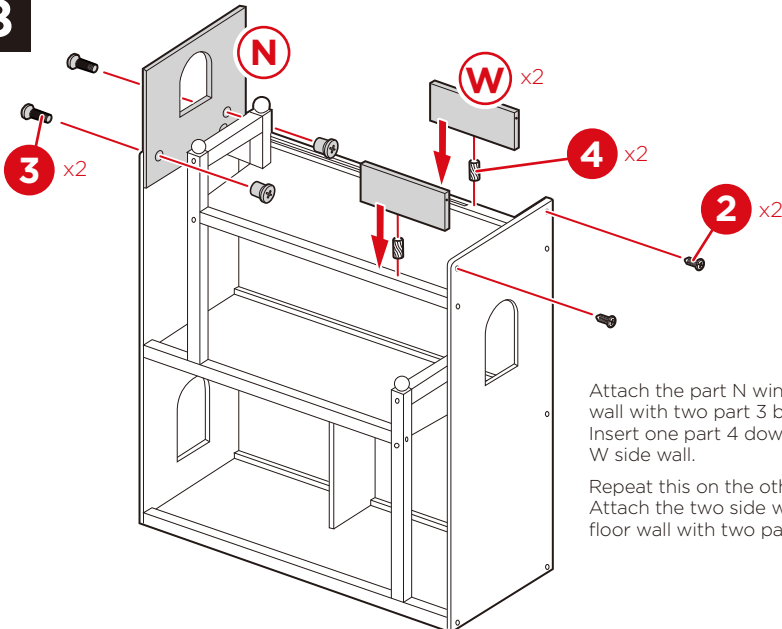


7

Secure the floor supports with two part 1 screws on the rear of the doll house.



8



Attach the part N window to the left wall with two part 3 bolt sets. Insert one part 4 dowel under a part W side wall.

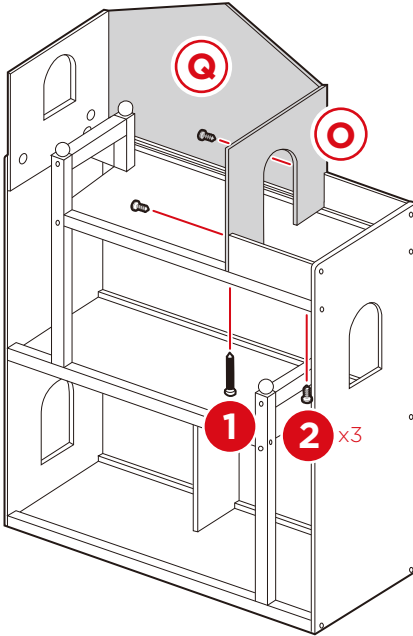
Repeat this on the other side wall. Attach the two side walls to the third floor wall with two part 2 screws.

PRODUCT ASSEMBLY

9

Secure the O doorway to the side walls with three part 2 screws and one part 1 screw.

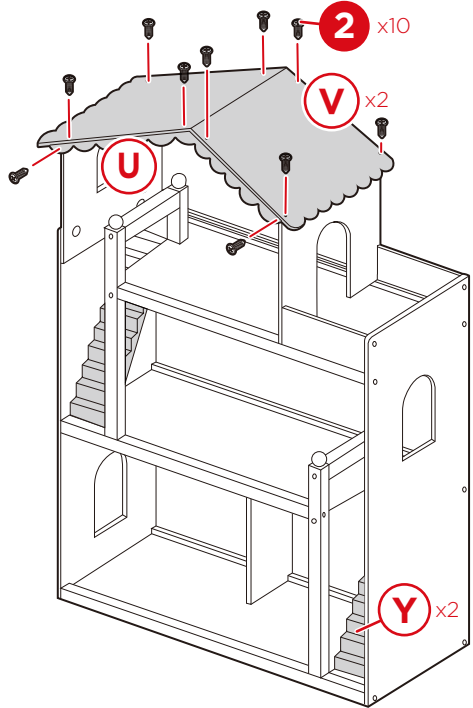
Slide the part Q top wall between the wall pieces on the third floor.



10

Form the roof the doll house with the part U roof overhang and two part V roof pieces. Secure the roof to the doll house with ten part 2 screws.

Place the two part Y staircases.



ACCESSORIES

Use the included accessories to decorate the rooms of the dollhouse to your liking.

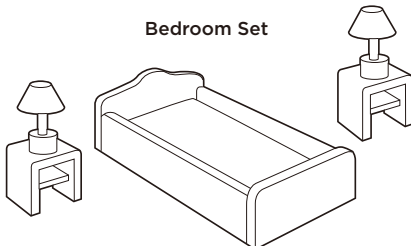
Living Room Set



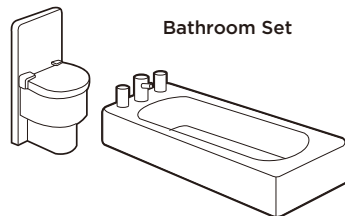
Kitchen Set



Bedroom Set



Bathroom Set





HELP CENTER



Question about your product? We're here to help. Visit us at:

help.bestchoiceproducts.com



Chat Support



Product Inquiry



Orders FAQ



Product Assembly



Returns & Refunds

PRODUCT WARRANTY INFORMATION

All items can be returned for any reason within 60 days of the receipt and will receive a full refund as long as the item is returned in its original product packaging and all accessories from its original shipment are included. All returned items will receive a full refund back to the original payment method. All returned items will not be charged a re-stocking fee.

All returned items require an RA (Return Authorization) number, which can only be provided by a Best Choice Products Customer Service Representative when the return request is submitted. Items received without an RA may not be accepted or may increase your return processing time. Once an item has been received by Best Choice Products, refunds or replacements will be processed within 5 business days.

All returns must be shipped back to the Best Choice Products Return Center at the customer's expense. If the reason for return is a result of an error by Best Choice Products then Best Choice Products will provide a pre-paid shipping label via email. Boxes for return shipping will not be provided by Best Choice Products, and is the customer's responsibility to either use the original shipping boxes or purchase new boxes.

Pictures may be required for some returns to ensure an item is not damaged prior to its return. Items returned are not considered undamaged until they are received by Best Choice Products and verified as such. All damages to items are the customer's responsibility until the item has been received by and acknowledge by Best Choice Products as undamaged.



WARNING

Manufacturer and seller expressly disclaim any and all liability for personal injury, property damage or loss, whether direct, indirect, or incidental, resulting from the incorrect attachment, improper use, inadequate maintenance, or neglect of this product.