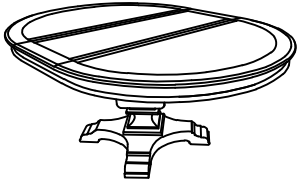





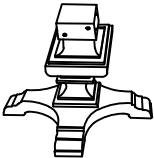


HEKMAN®

A HOWARD MILLER COMPANY

23321 ROUND DINING TABLE Hardware List

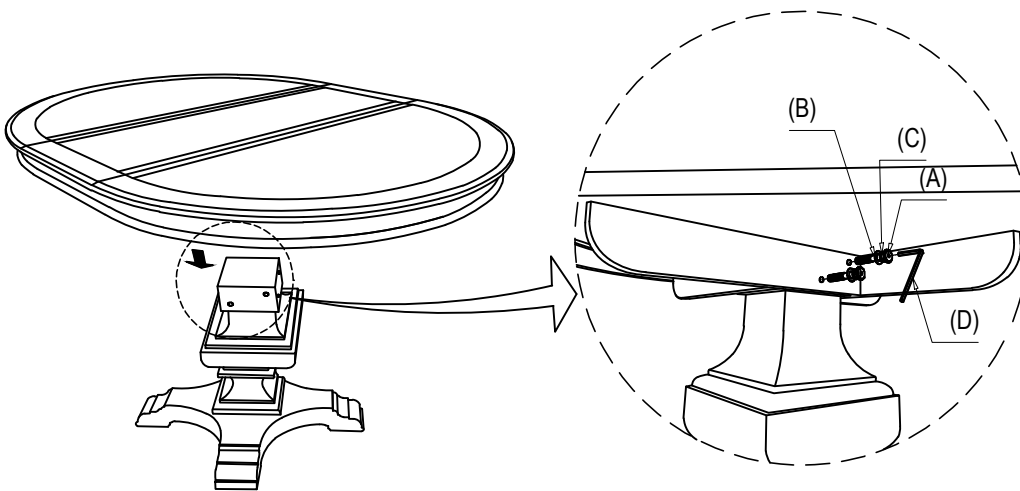
A	B	C	D	
ALLEN BOLT M8 X 50 (8 PCS.)	FLAT W. M8 8 PCS.	SPRING W. M8 8 PCS.	ALLEN KEY L5 (FOR ALLEN BOLT) 1 PC.	
				

PART INSIDE	
1	2
TOP ASSEMBLY (1 Pc)	LEG ASSEMBLY (1 Pc)
	

Assembly Instruction

STEP 1.

ATTACH TOP ASSEMBLY TO LEG ASSEMBLY, ALIGN BOLTS ON THE LEGS TO HOLES ON TOP PANEL AND CONNECT USING FLAT WASHER (B), SPRING WASHER (C), ALLEN BOLT (A) AND ALLEN KEY (D) PROVIDED.



* TO REMOVE EXTENSION LEAF, UNLOCK TABLE LOCK UNDER THE TOP, SLIDE TABLE TOP HALVES APART. REMOVE EXTENSION LEAF (G) AND SLIDE TOP HALVES TOGETHER. LOCK THE TABLE LOCKS.

