



bestchoiceproducts



# INSTRUCTION MANUAL

---

Counter Height  
Dining Table Set



Fasten screws loosely  
during assembly.

Do not firmly tighten  
screws until item is  
fully assembled.

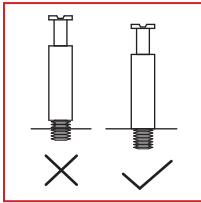
[bestchoiceproducts.com](http://bestchoiceproducts.com)

## ! NOTICE

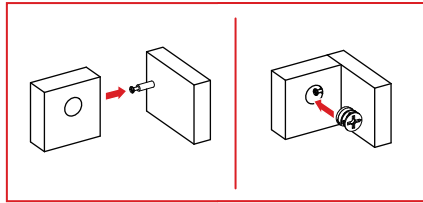
Please retain these instructions for future reference.

- Please do not exceed the weight limitations of this item.
- Do not stand on or use any part of this item as a step ladder.
- Firmly secure all bolts, screws, and knobs before use.
- Reconfirm that all bolts, screws, and knobs are secure every 90 days.
- Do not use or store this item in the proximity of open flame or flammable/combustible chemicals.
- If any parts are missing, broken, damaged, or worn, stop using this item until repairs are made and/or factory replacement parts are installed.
- Do not use this item in a way inconsistent with the manufacturer's instructions as this could void the product warranty.

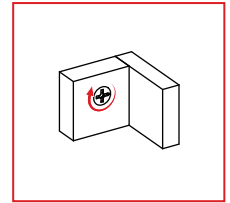
## TIGHTENING CAMLOCKS



1. Screw cam bolt in completely.



2. Insert cam bolt and cam lock into designated holes.



3. Screw cam lock clockwise to secure cam bolt.

## TOOLS REQUIRED



PHILLIPS  
SCREWDRIVER



ALLEN WRENCH  
(PROVIDED)



90 LBS  
CAPACITY  
TABLE



285 LBS  
CAPACITY  
CHAIR

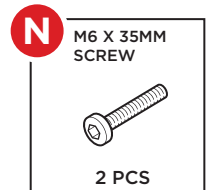
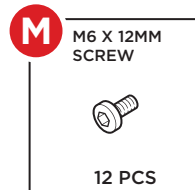
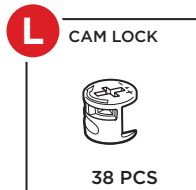
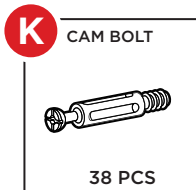


1 PERSON  
ASSEMBLY

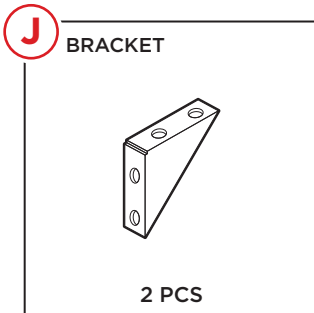
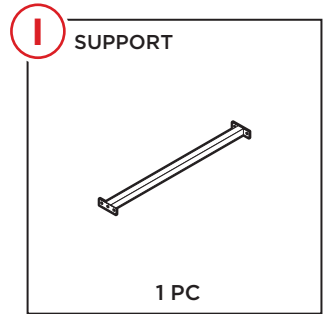
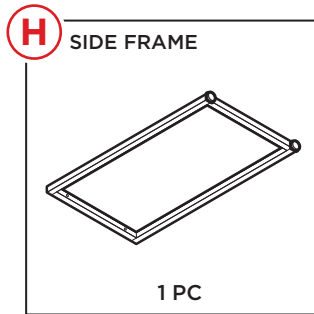
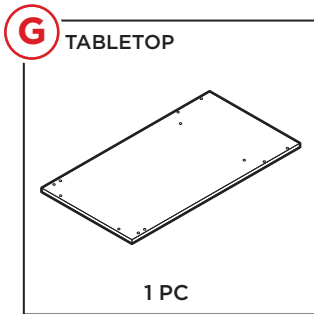
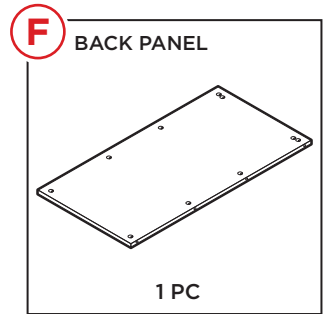
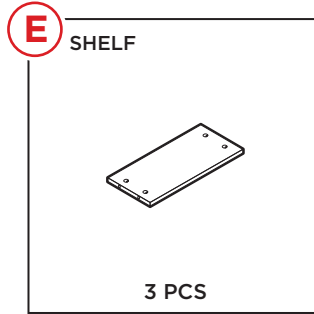
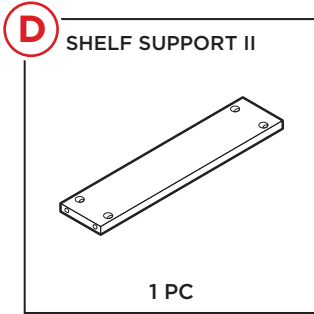
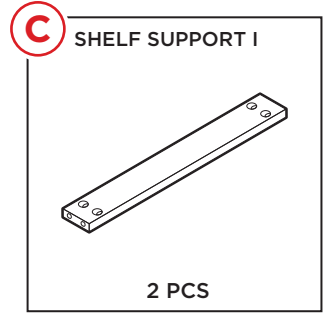
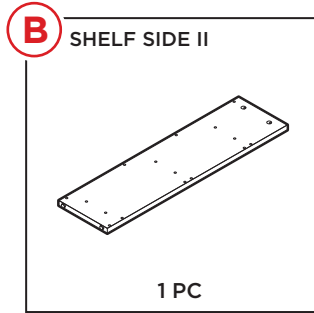
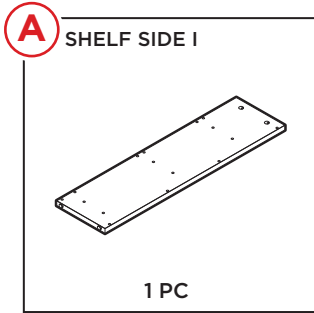


APPROXIMATELY  
45 MIN.  
ASSEMBLY

## TABLE HARDWARE



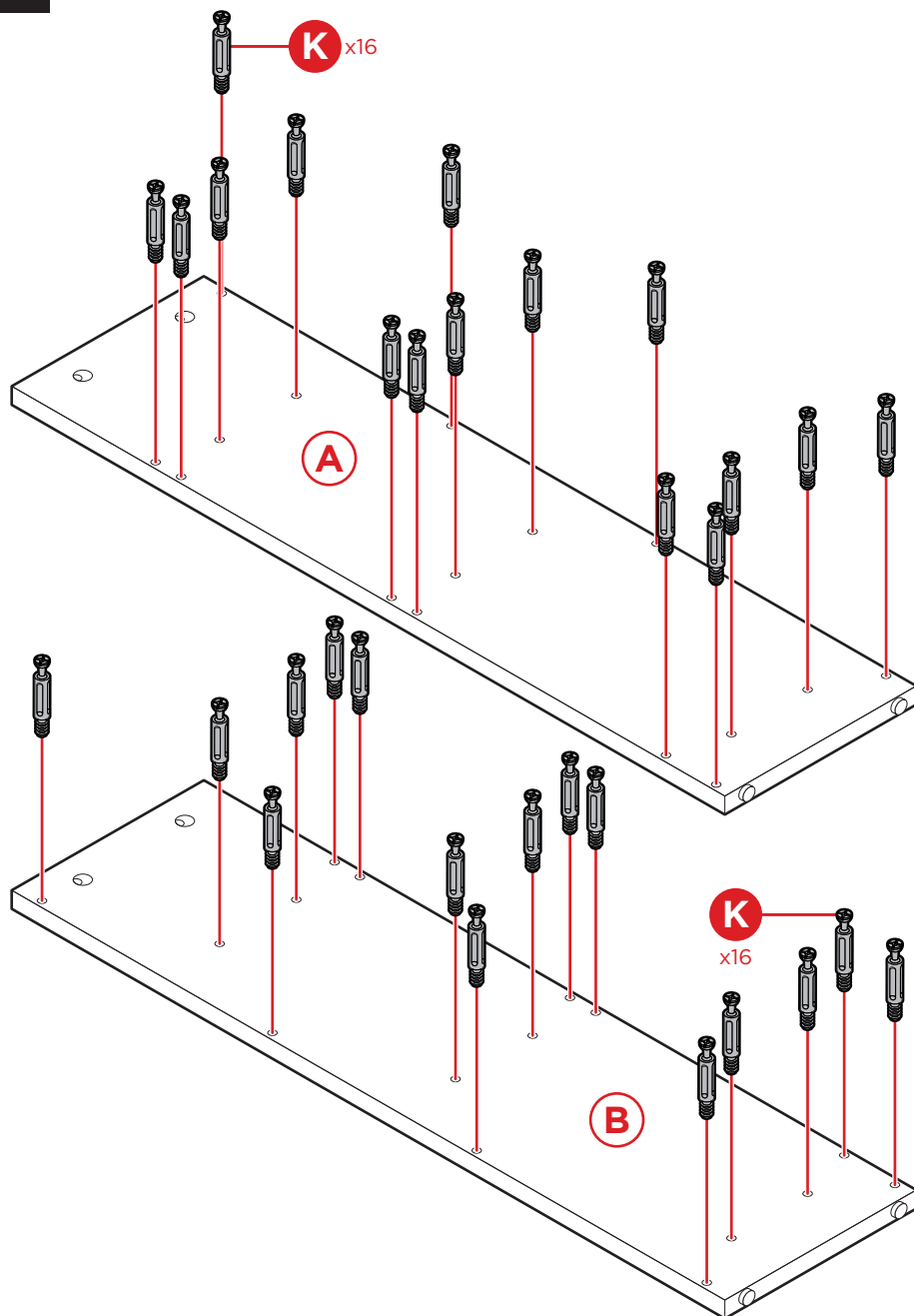
## TABLE PARTS



## PRODUCT ASSEMBLY - TABLE

1

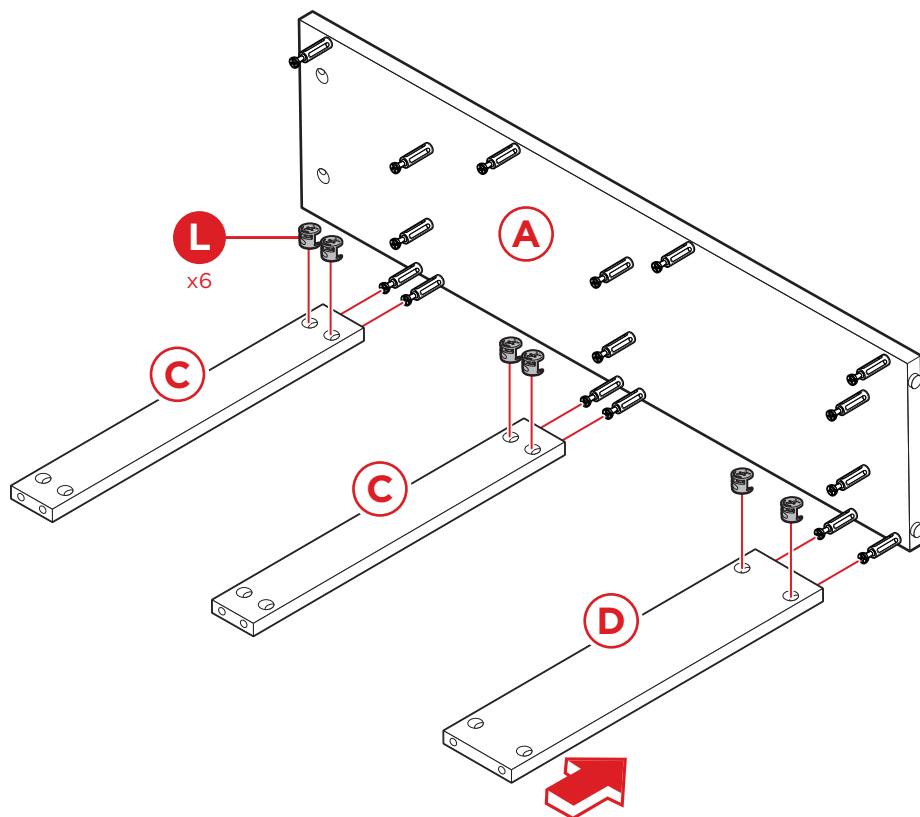
Screw thirty-two part K cam bolts into the part A and part B shelf sides, sixteen cam bolts per shelf side.



## PRODUCT ASSEMBLY - TABLE

2

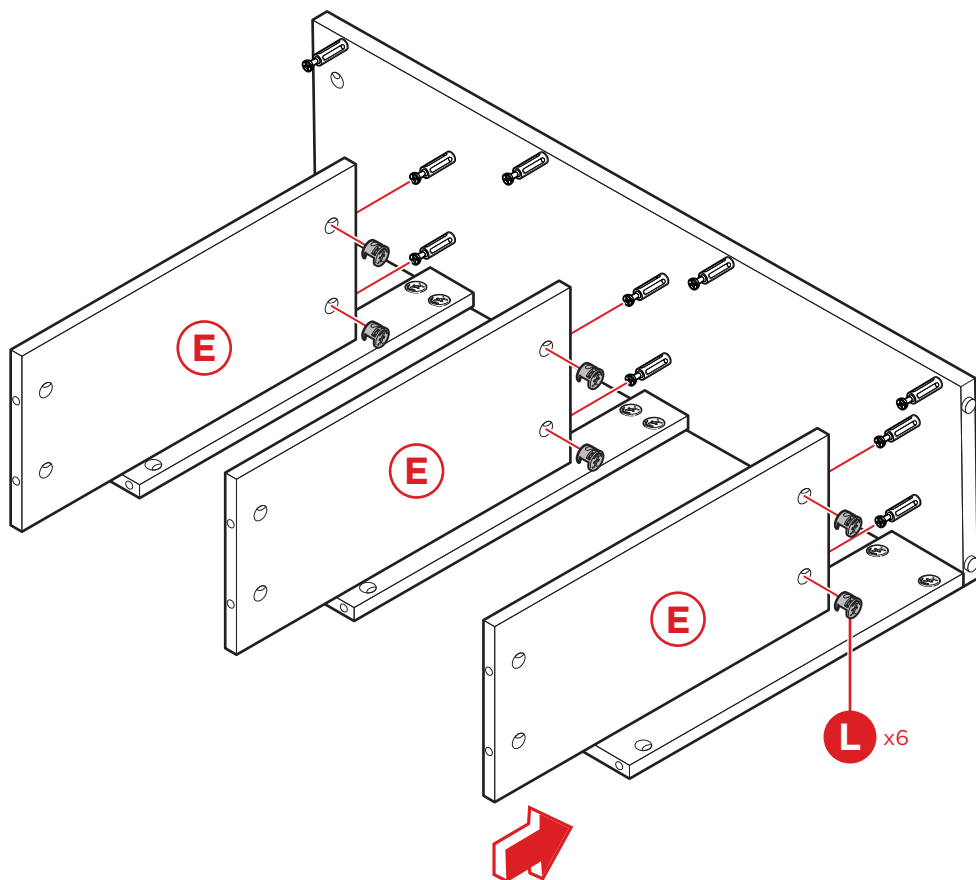
Attach two part C and a part D shelf support to the part A shelf side with six part L cam locks.



## PRODUCT ASSEMBLY - TABLE

3

Attach three part E shelves with six part L cam locks.

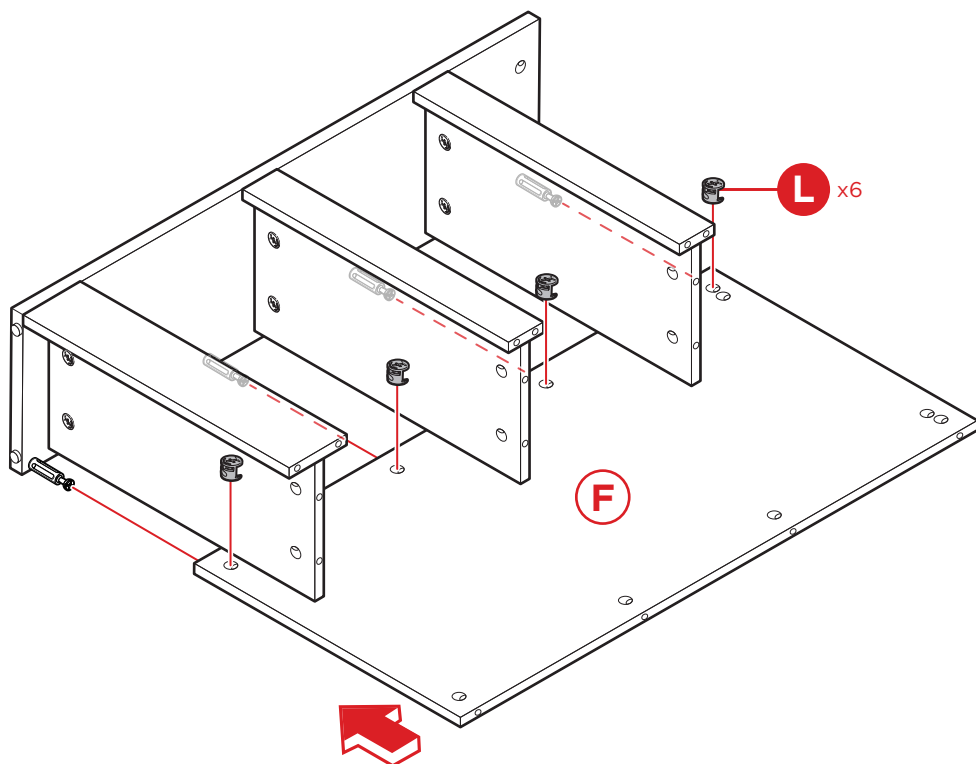


## PRODUCT ASSEMBLY - TABLE

4

Flip assembly over.

Attach part F back panel with four part L cam locks.

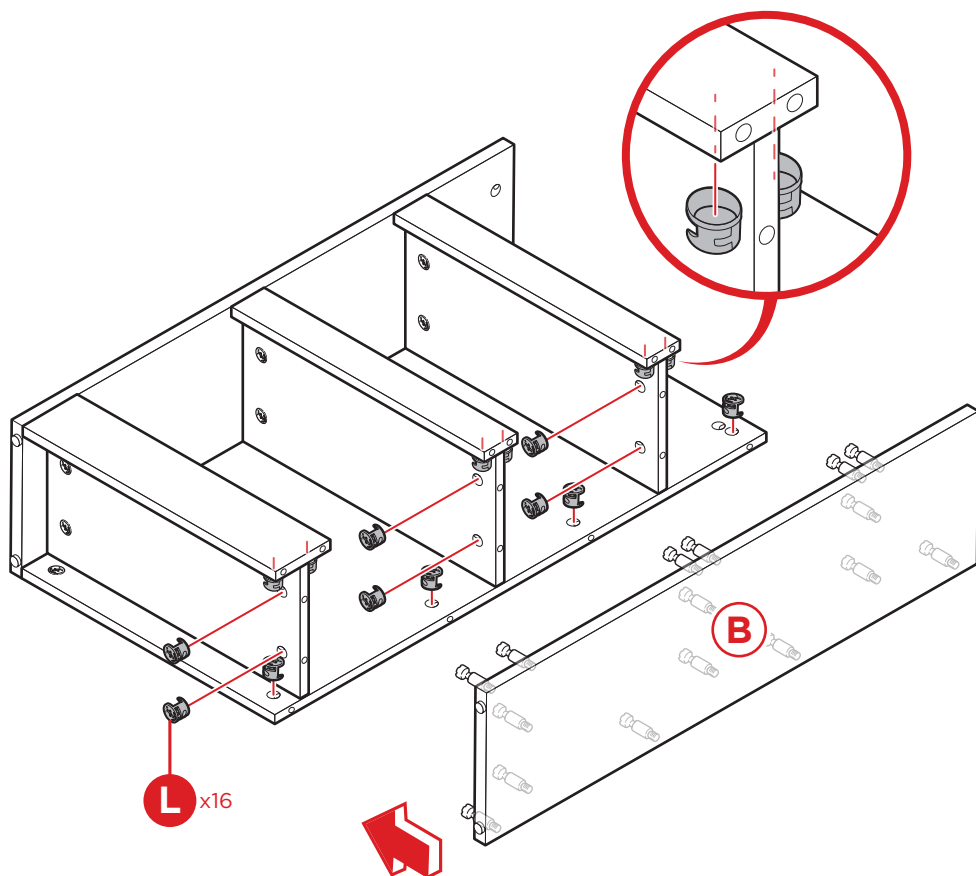




## PRODUCT ASSEMBLY - TABLE

5

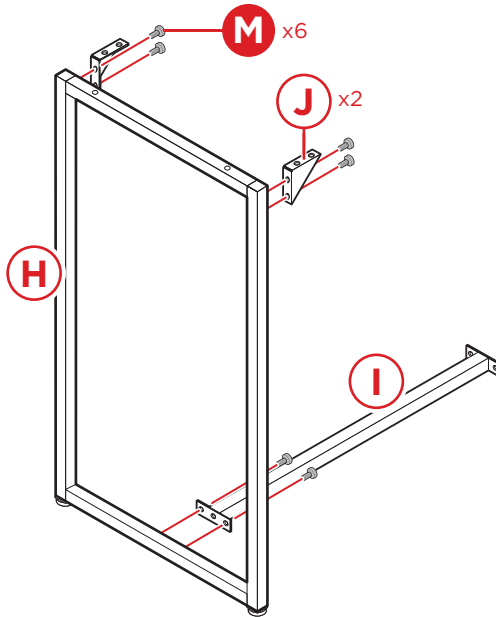
Attach the part B shelf side with sixteen part L cam locks.



## PRODUCT ASSEMBLY - TABLE

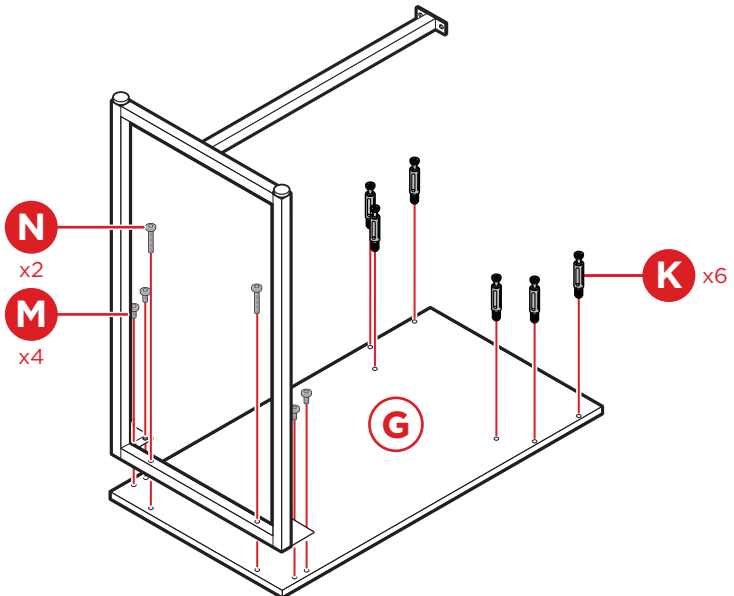
6

Attach two part J brackets and part I support to the part H side frame with six part M screws.



7

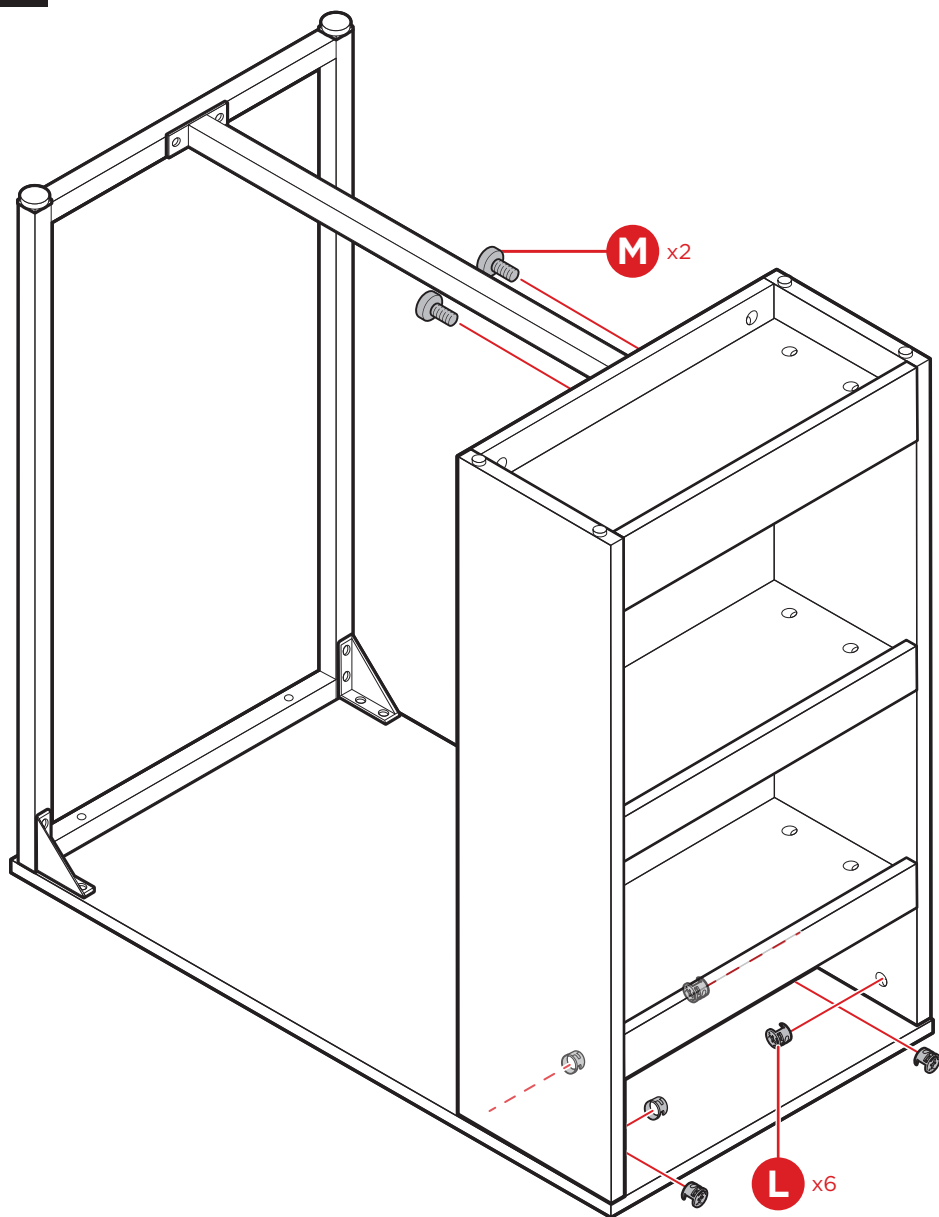
Attach the assembled frame to the part G tabletop with four part M screws and two part N screws. Screw in six part K cam bolts.



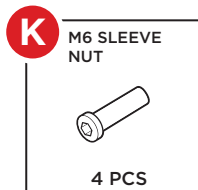
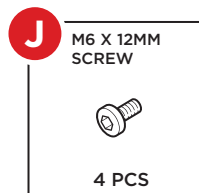
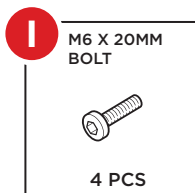
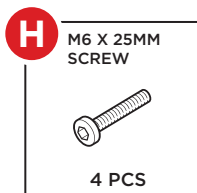
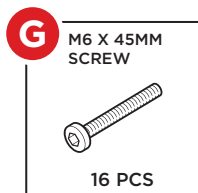
## PRODUCT ASSEMBLY - TABLE

8

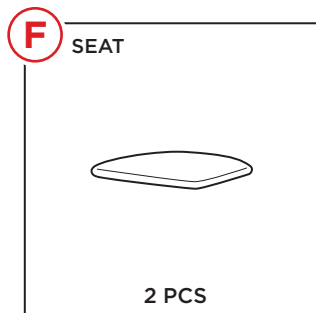
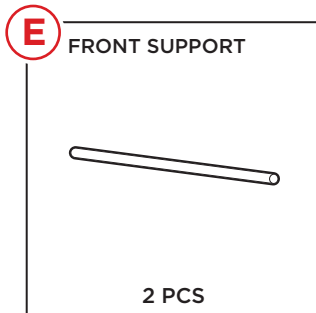
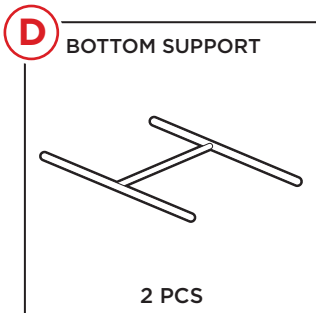
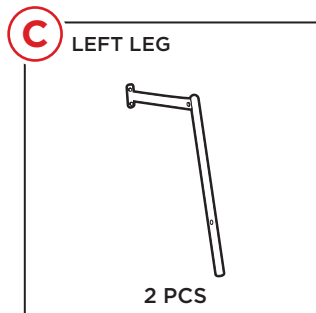
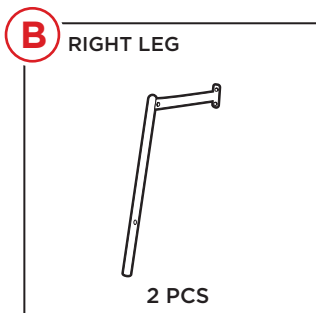
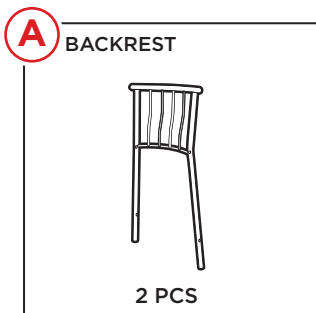
Attach the shelves with six part L cam locks and two part M screws.



## CHAIR HARDWARE



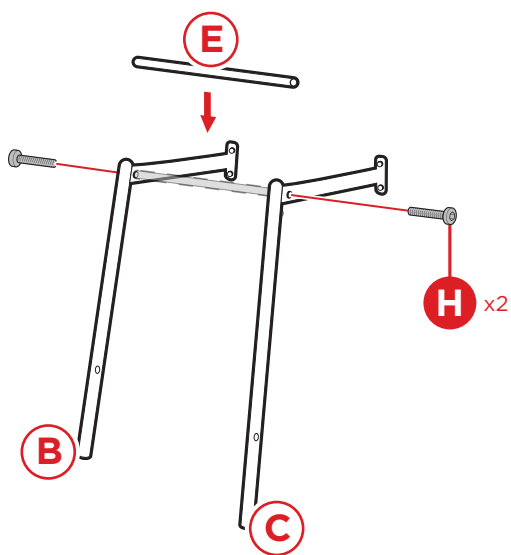
## CHAIR PARTS



## PRODUCT ASSEMBLY - CHAIR

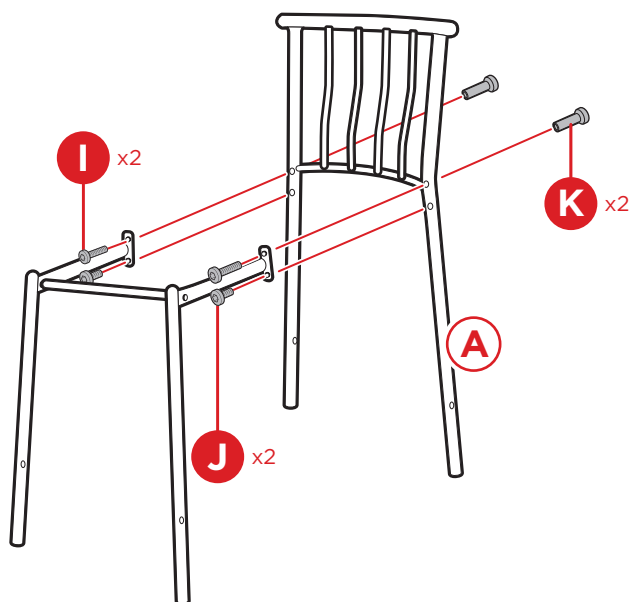
1

Attach part E front support to part B right leg and part C left leg with two part H screws.



2

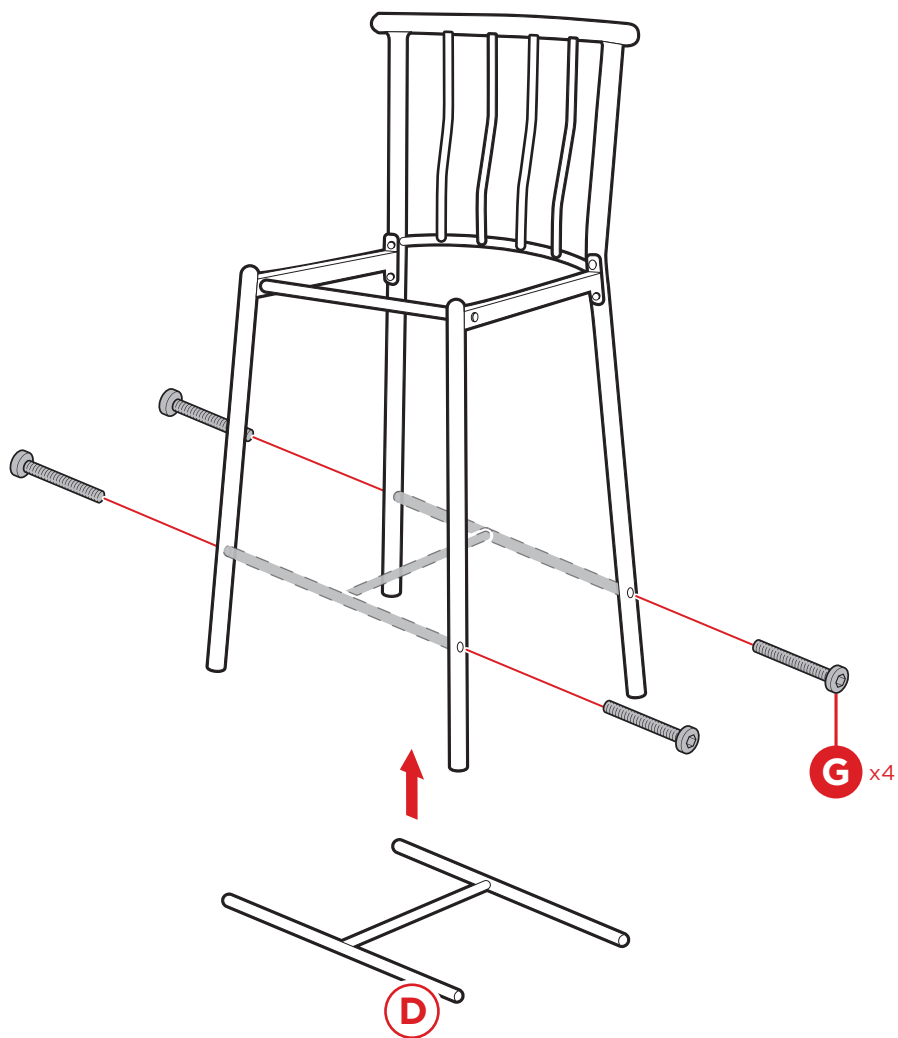
Attach legs to part A backrest with two part J screws, two part I bolts, and two part K sleeve nuts.



## PRODUCT ASSEMBLY - CHAIR

3

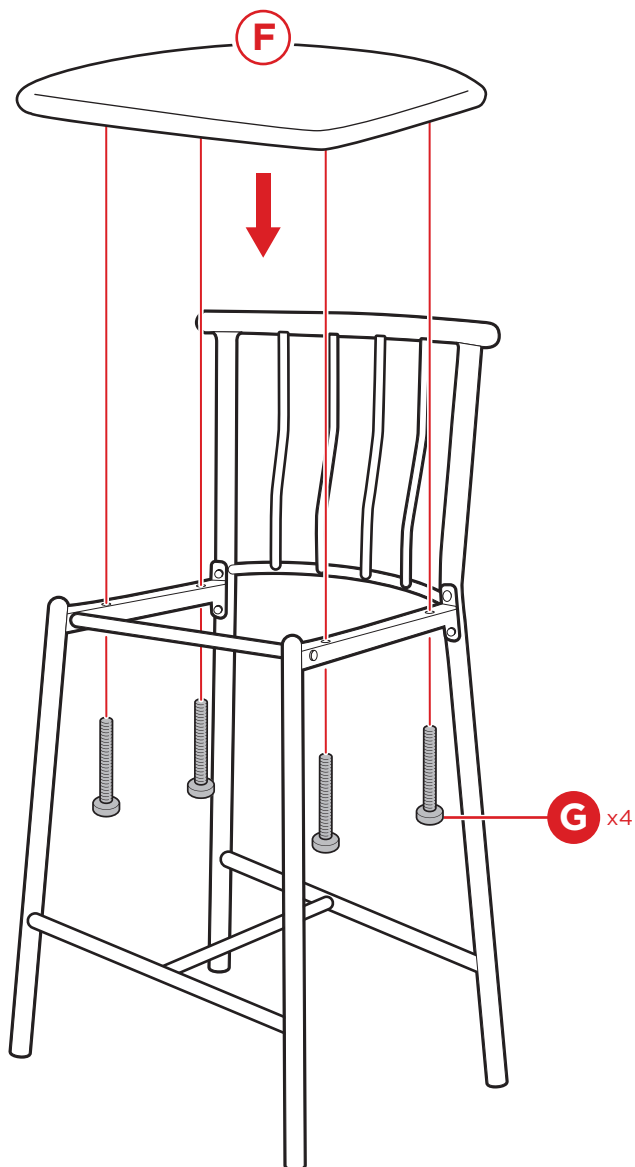
Attach part D bottom support with four part G screws.



## PRODUCT ASSEMBLY - CHAIR

4

Attach part F seat with four part G screws.  
Repeat to build another chair.





# HELP CENTER



Question about your product? We're here to help. Visit us at:

[help.bestchoiceproducts.com](http://help.bestchoiceproducts.com)



Chat Support



Product Inquiry



Orders FAQ



Product Assembly



Returns & Refunds

## PRODUCT WARRANTY INFORMATION

All items can be returned for any reason within 60 days of the receipt and will receive a full refund as long as the item is returned in its original product packaging and all accessories from its original shipment are included. All returned items will receive a full refund back to the original payment method. All returned items will not be charged a re-stocking fee.

All returned items require an RA (Return Authorization) number, which can only be provided by a Best Choice Products Customer Service Representative when the return request is submitted. Items received without an RA may not be accepted or may increase your return processing time. Once an item has been received by Best Choice Products, refunds or replacements will be processed within 5 business days.

All returns must be shipped back to the Best Choice Products Return Center at the customer's expense. If the reason for return is a result of an error by Best Choice Products then Best Choice Products will provide a pre-paid shipping label via email. Boxes for return shipping will not be provided by Best Choice Products, and is the customer's responsibility to either use the original shipping boxes or purchase new boxes.

Pictures may be required for some returns to ensure an item is not damaged prior to its return. Items returned are not considered undamaged until they are received by Best Choice Products and verified as such. All damages to items are the customer's responsibility until the item has been received by and acknowledge by Best Choice Products as undamaged.



## WARNING

Manufacturer and seller expressly disclaim any and all liability for personal injury, property damage or loss, whether direct, indirect, or incidental, resulting from the incorrect attachment, improper use, inadequate maintenance, or neglect of this product.