



# ASPEN

## ASH/TRASH WITH ROUND OPENING

The Aspen decorative refuse container's stone panels naturally blend this receptacle into any outdoor environment.

### FEATURES AND BENEFITS:

#### FEATURES

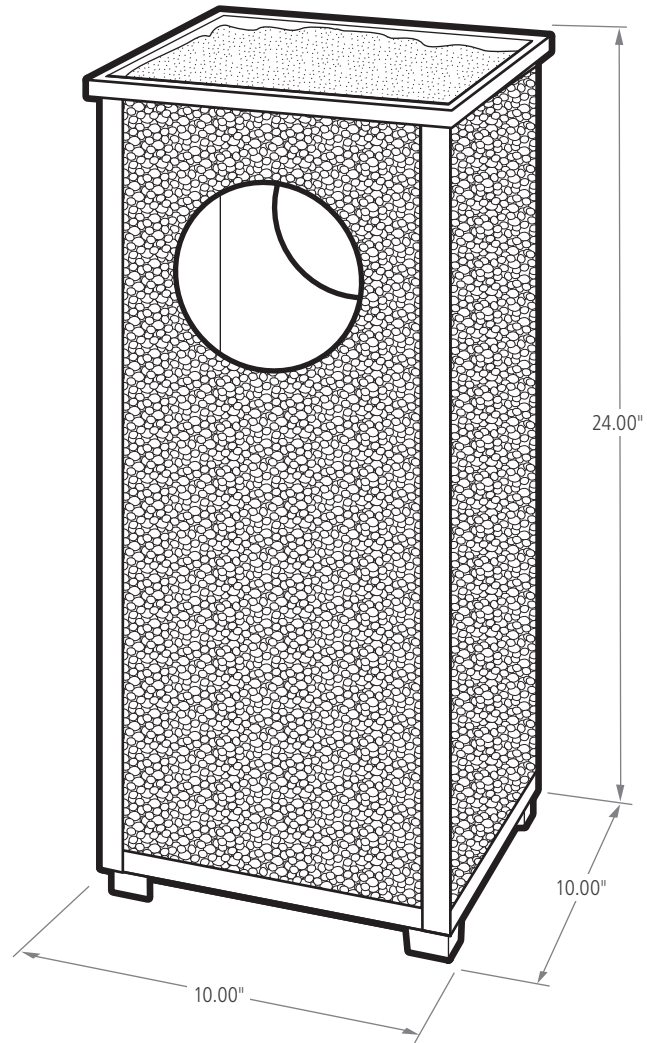
- ▶ Sand pan can be removed from the Ash/Trash style for easy cleaning and waste disposal
- ▶ Heavy-gauge, fire-safe galvanized steel
- ▶ Leak-proof rigid plastic liner included to help contain liquids and keep the surrounding area cleaner
- ▶ Durable powder coat finish withstands severe weather and resists fading even when exposed to harsh UV rays
- ▶ Stone panels have a Class A fire rating
- ▶ Adjustable leg levelers create stability on uneven surfaces
- ▶ Shipped fully assembled

#### ACCESSORIES

- ▶ Anchoring kits
- ▶ Factory-installed lid locks



ADA COMPLIANT



GALLONS	LENGTH (in.)	WIDTH (in.)	HEIGHT (in.)
2.5G	10.00	10.00	24.00

build your own ▶ [rubbermaidcommercial.com/customize](http://rubbermaidcommercial.com/customize)



# ASPEN

## ASH/TRASH WITH ROUND OPENING

### STANDARD COLOR OPTIONS



SKU #	DESCRIPTION	LINER	COLOR	GALLONS	WEIGHT (lbs.)	LENGTH (in.)	WIDTH (in.)	HEIGHT (in.)
FGR41201PL	ASPEN ASH/TRASH 9L/2.5G	PLASTIC	BRN TRIM WITH BRN PNLS	2.5	28.00	10.00	10.00	24.00
FGR41202PL	ASPEN ASH/TRASH 9L/2.5G	PLASTIC	EGN TRIM WITH BRN PNLS	2.5	28.00	10.00	10.00	24.00
FGR412000PL	ASPEN ASH/TRASH 9L/2.5G	PLASTIC	GREY TRIM WITH GREY PNLS	2.5	28.00	10.00	10.00	24.00
FGR416000PL	ASPEN ASH/TRASH 9L/2.5G	PLASTIC	BRNZ TRIM WITH GREY PNLS	2.5	28.00	10.00	10.00	24.00

BUILD YOUR OWN [▶RUBBERMAIDCOMMERCIAL.COM/CUSTOMIZE](https://www.rubbermaidcommercial.com/customize)

