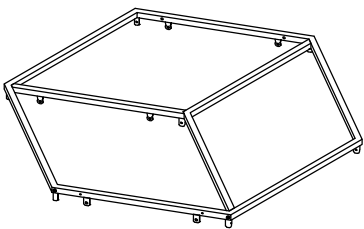


# ASSEMBLY INSTRUCTION

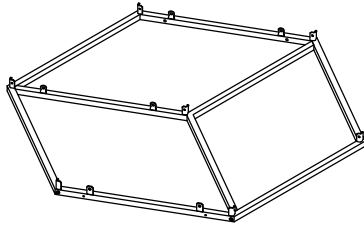
## TWO-HEXAGON BOOKCASE

**A** Frame - Front



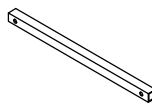
2pcs

**B** Frame - Back



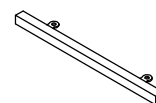
2pcs

**C** Cross Bar 1



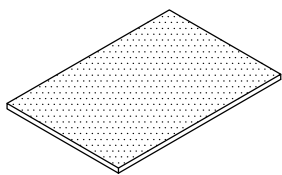
10pcs

**D** Cross Bar 2



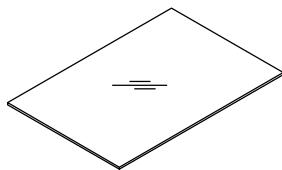
4pcs

**E** Shelf Panel



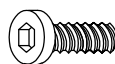
6pcs

**F** Shelf Glass



2pcs

**G** Bolt  
 $\phi 1/4" \times 1/2"$



**K** Flat washer  
 $\phi 1/4" \times 16mm$



**H** Bolt  
 $\phi 1/4" \times 1-1/8"$



**L** Flat washer  
 $\phi 3/16" \times 12mm$



**I** Screw  
M4x13mm



**J** Screw  
M4x13mm



**M** Allen Key  
M4



1pc

**N** Glass Pad  
 $\phi 12 \times 2mm$



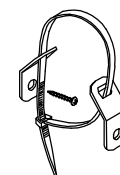
8pcs

**O** Plastic Sucker



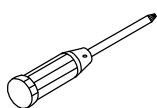
8pcs

**P** Anti-Tipping Kit



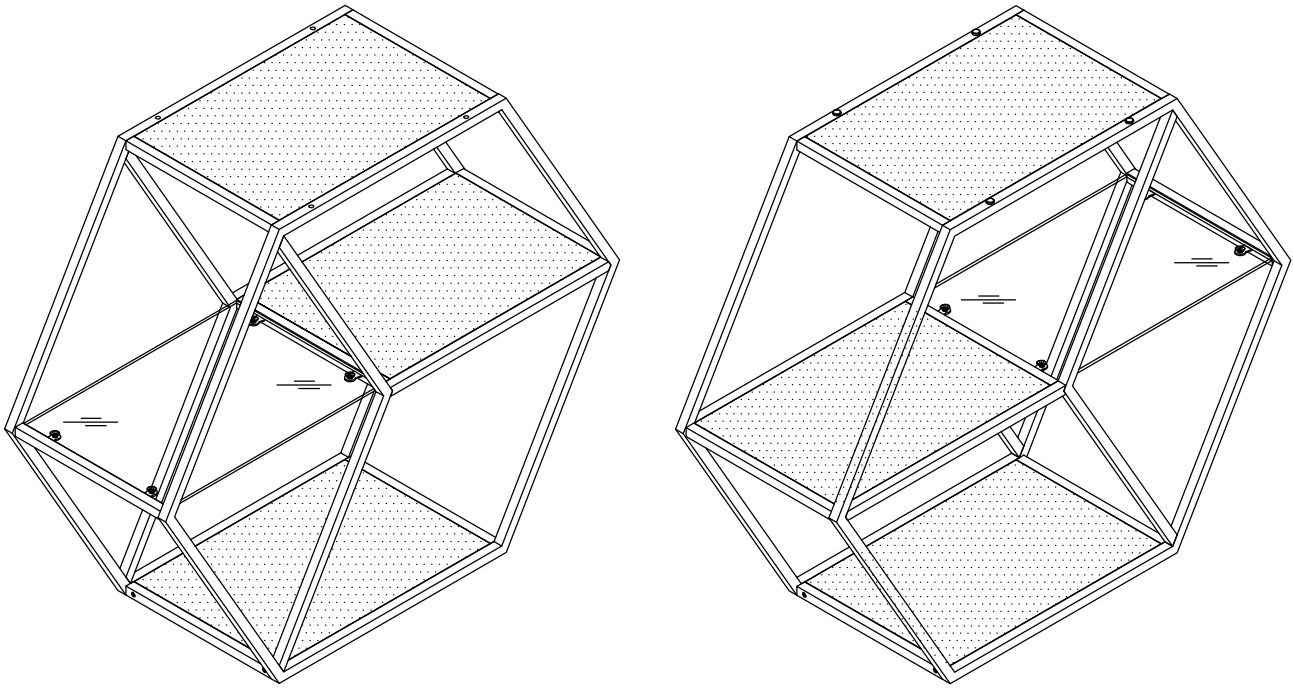
1set

**Q** Screwdriver  
(Not Provided)

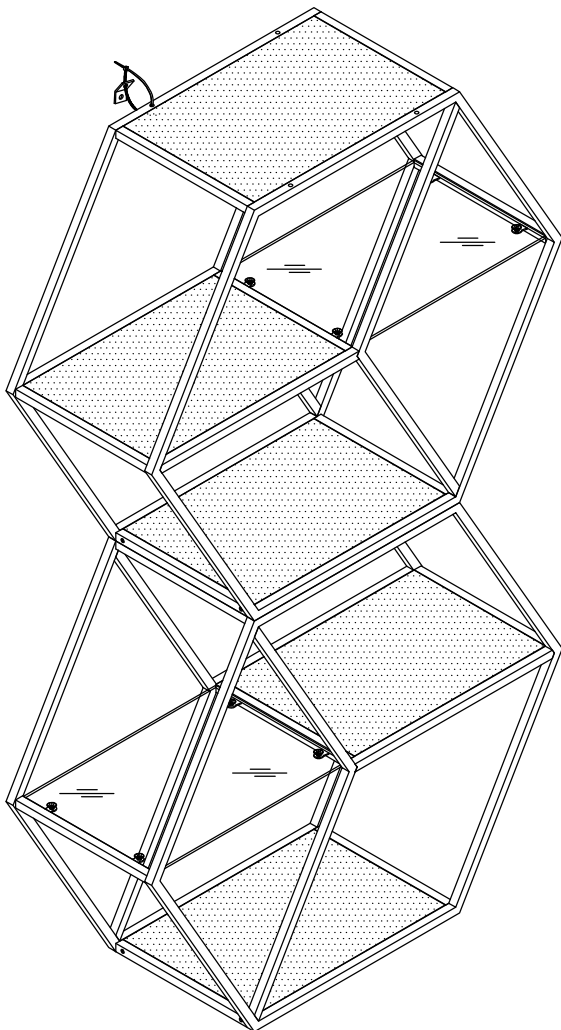


1pc

Option 1:



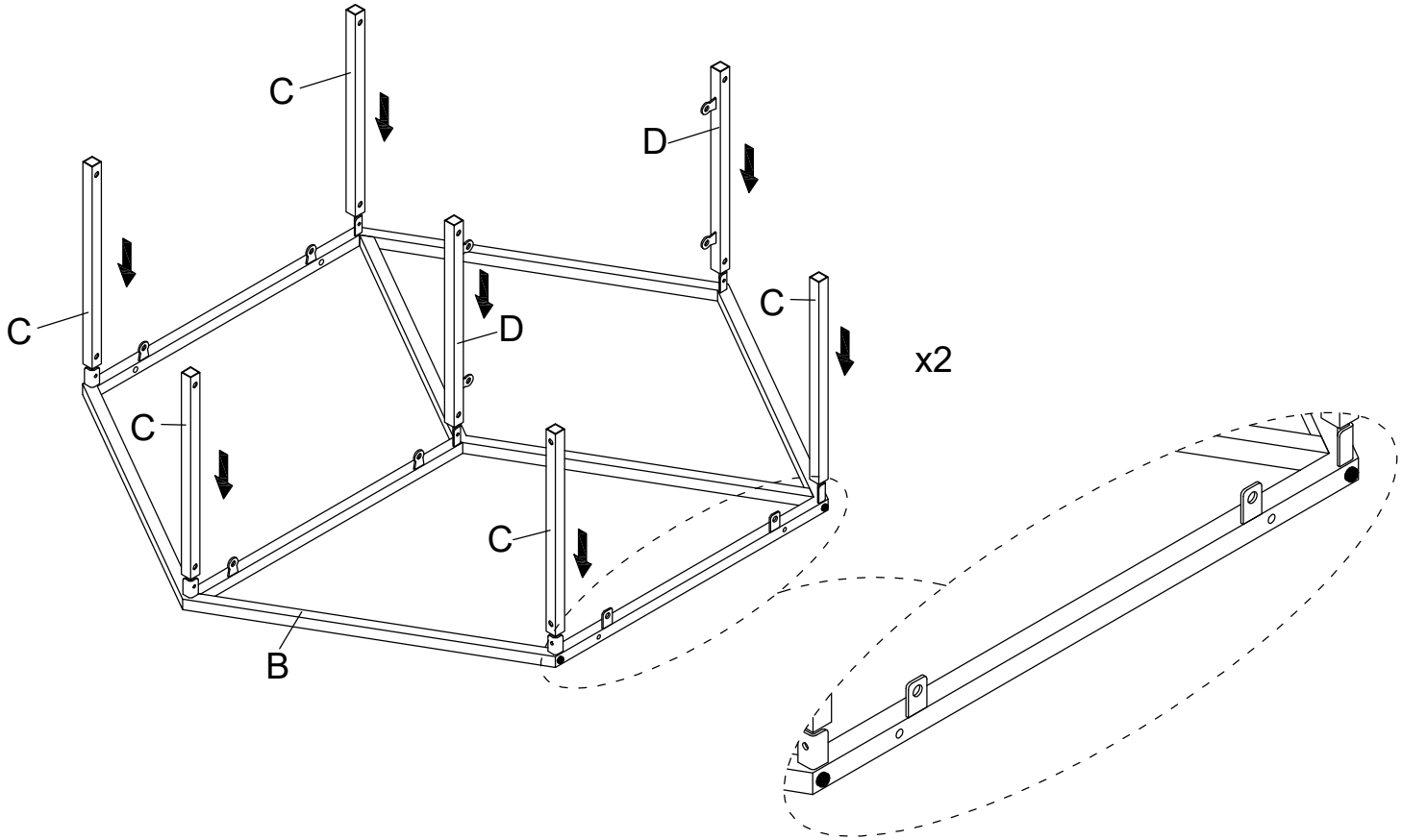
Option 2:



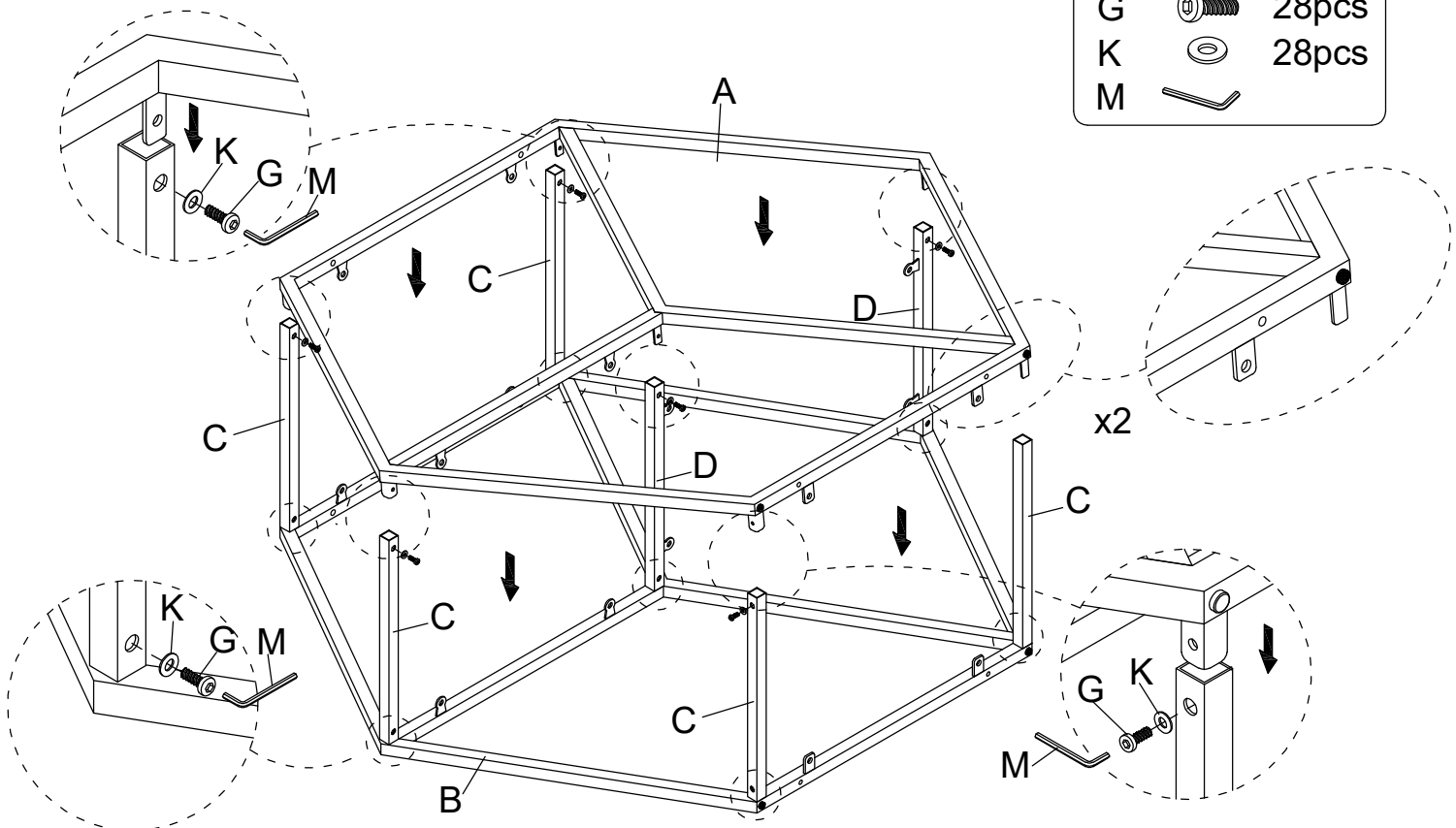
First page and second page list all the contents included in the box. Please take the time to identify the hardware as well as the individual components to this product. As you unpack and prepare for assembly, place the contents on a carpeted or padded area to protect them from damage.

**Remind:**  
Do not fully tighten all bolts until assembly is complete. This will help all parts to assemble properly.

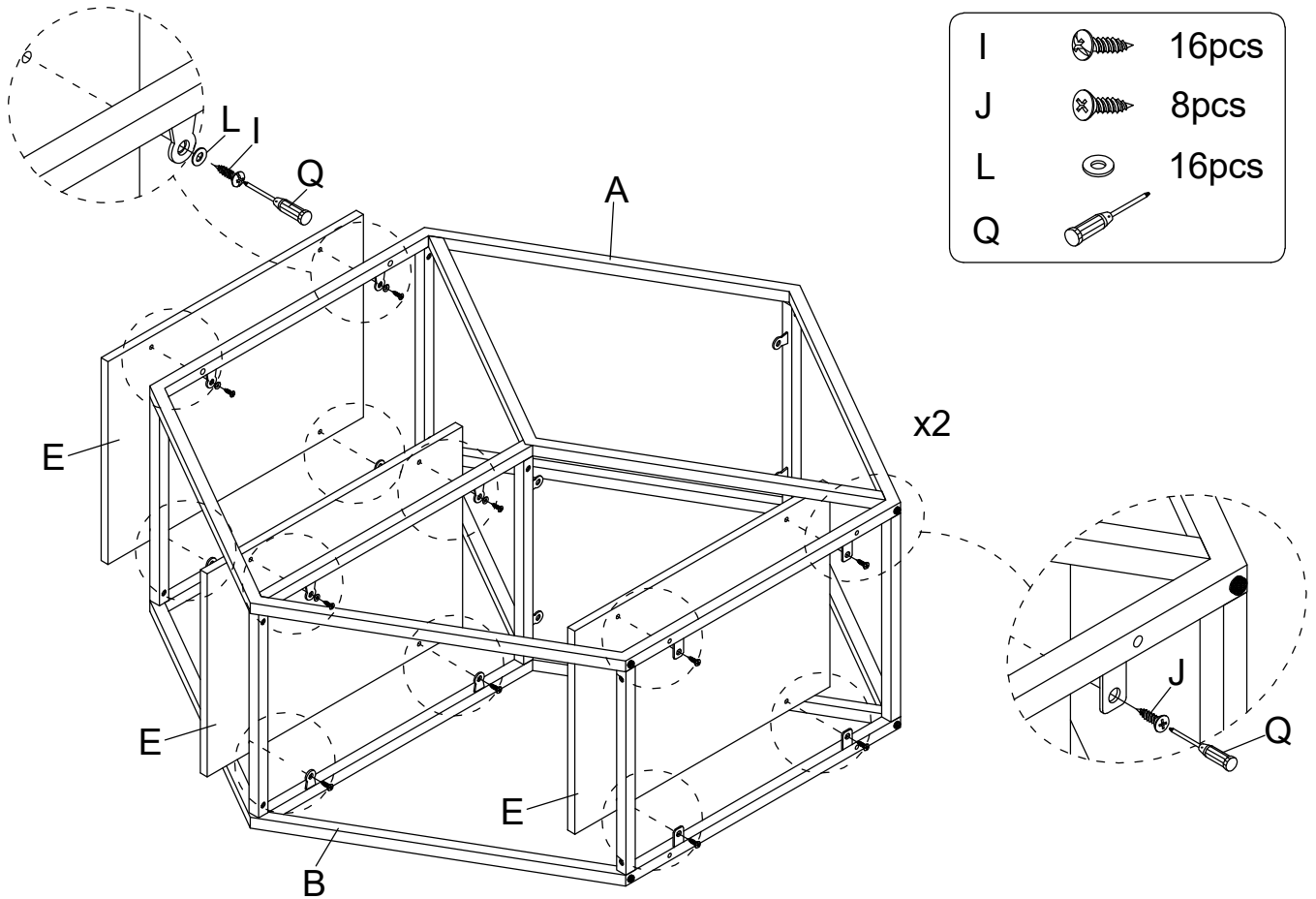
**1** Assemble Cross Bar 1 (C) & Cross Bar 2 (D) to Frame - Back (B), the direction should exactly same as below shown.



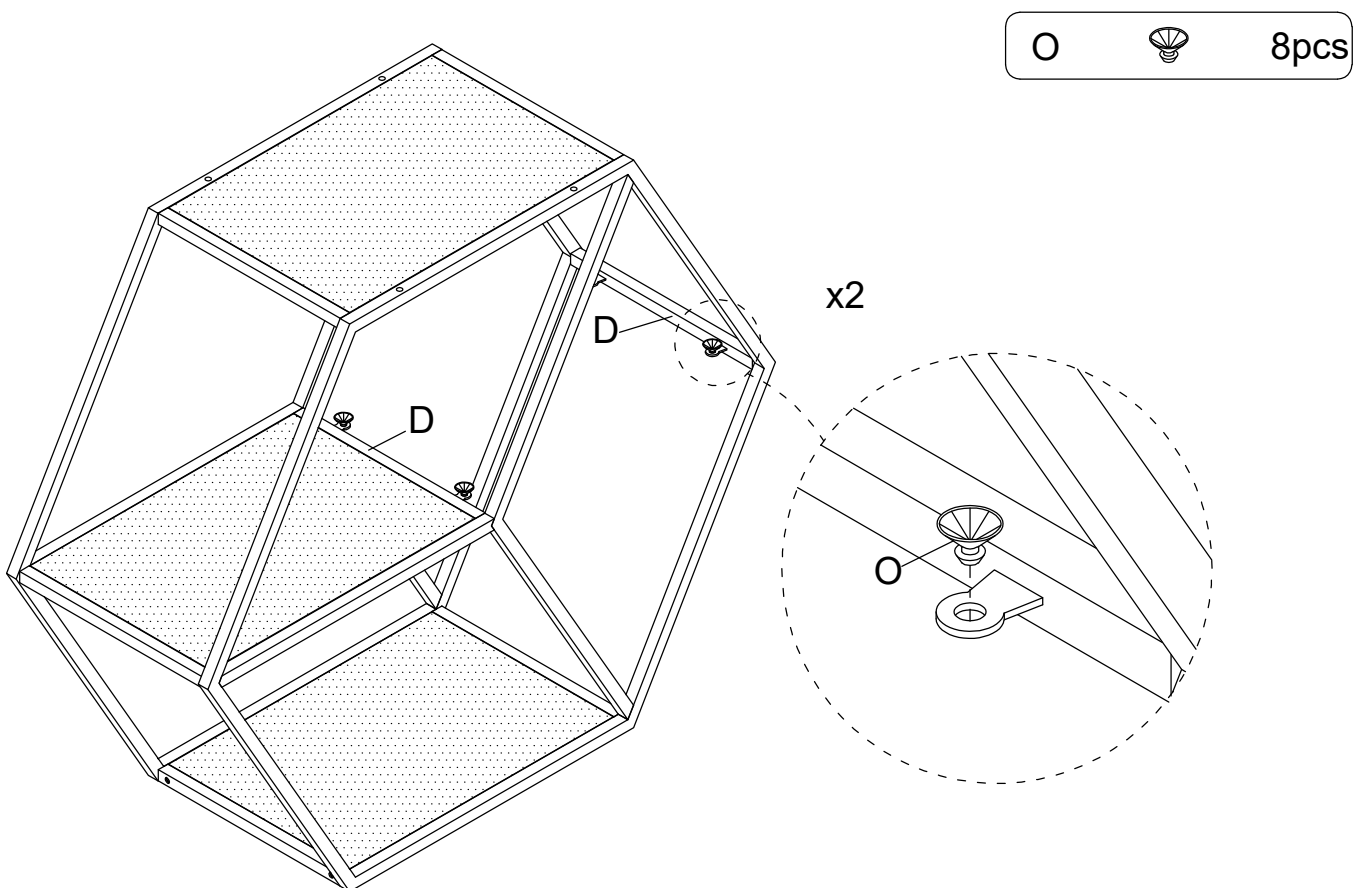
**2** Assemble Frame - Front (A) to Cross Bar 1 (C) & Cross Bar 2 (D), then using Bolt (G) & Flat Washer (K) to lock all cross bars with Frame - Front (A) & Frame - Back (B) by Allen Key (M) as below shown.



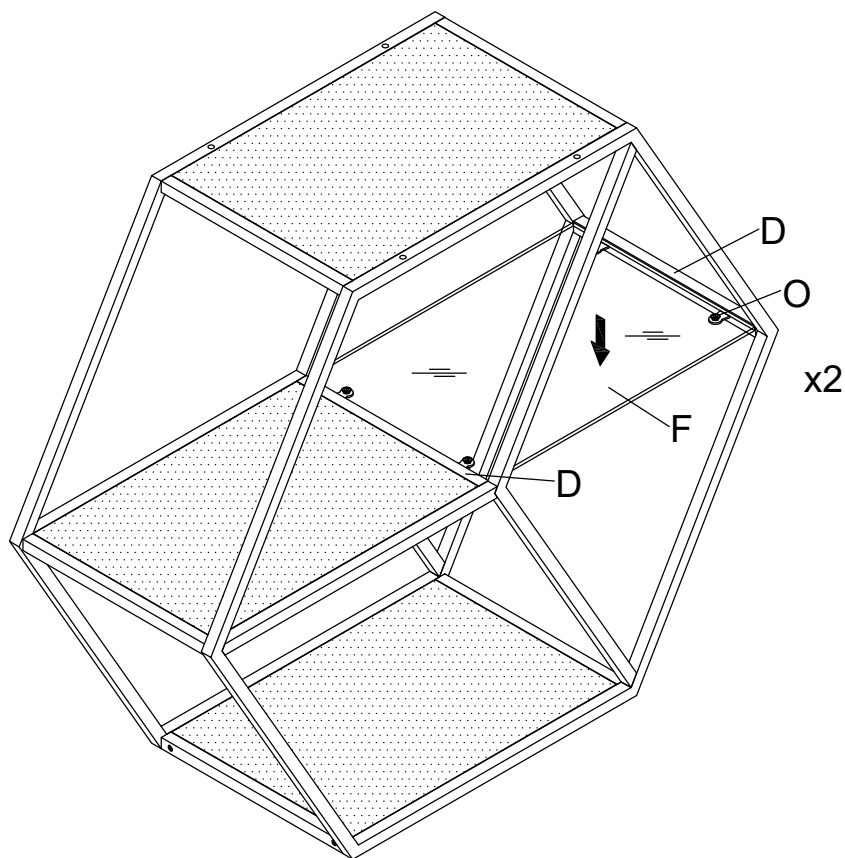
**3** Assemble Shelf Panel (E) to Frame - Front (A) & Frame - Back (B), using Screw (I), Screw (J) & Flat Washer (L) to tighten by Screwdriver (Q) as below shown.



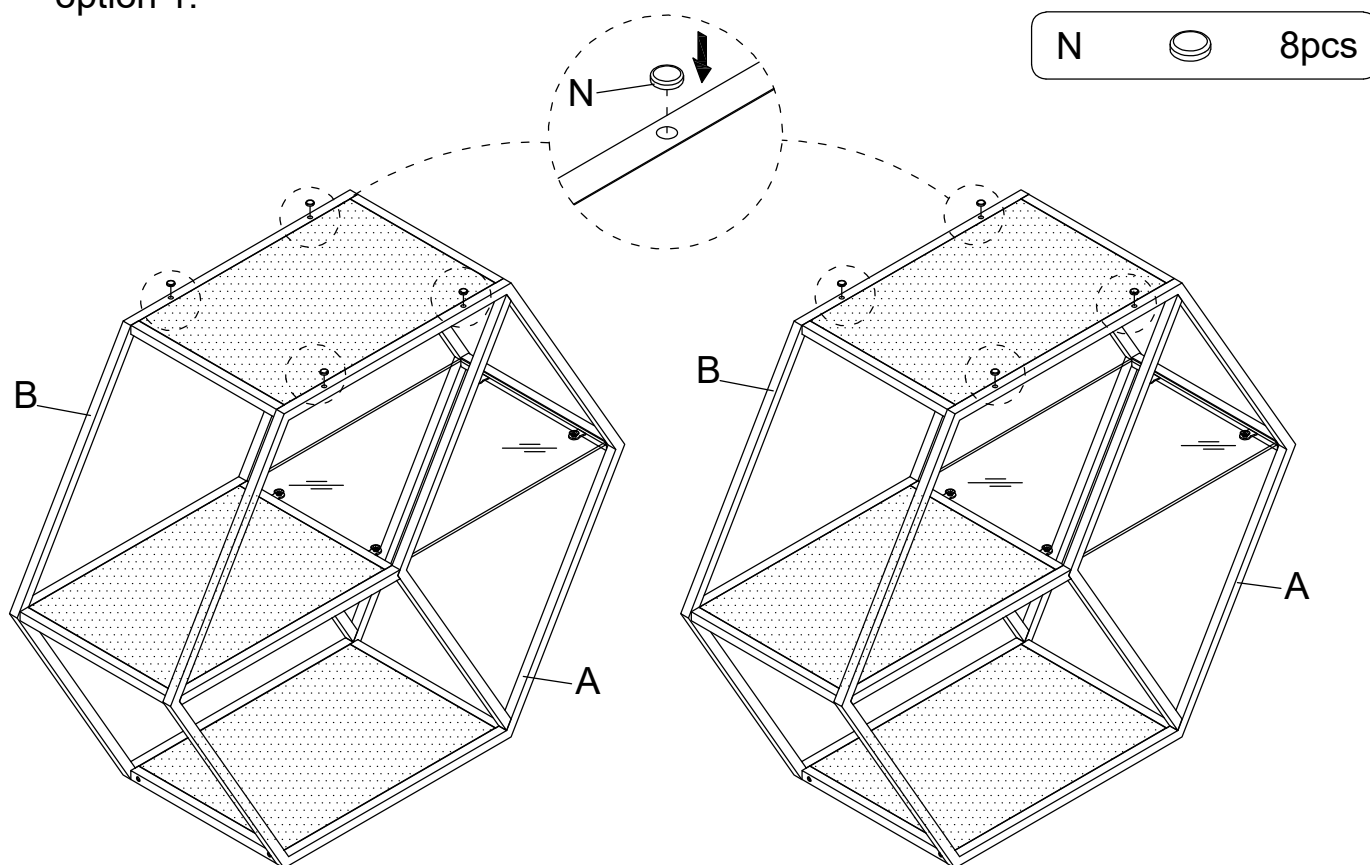
**4** Assemble Plastic Sucker (O) to Cross Bar 2 (D) as below shown.





**5** Put Shelf Glass (F) on Plastic Sucker (O) of Cross Bar 2 (D) as below shown.

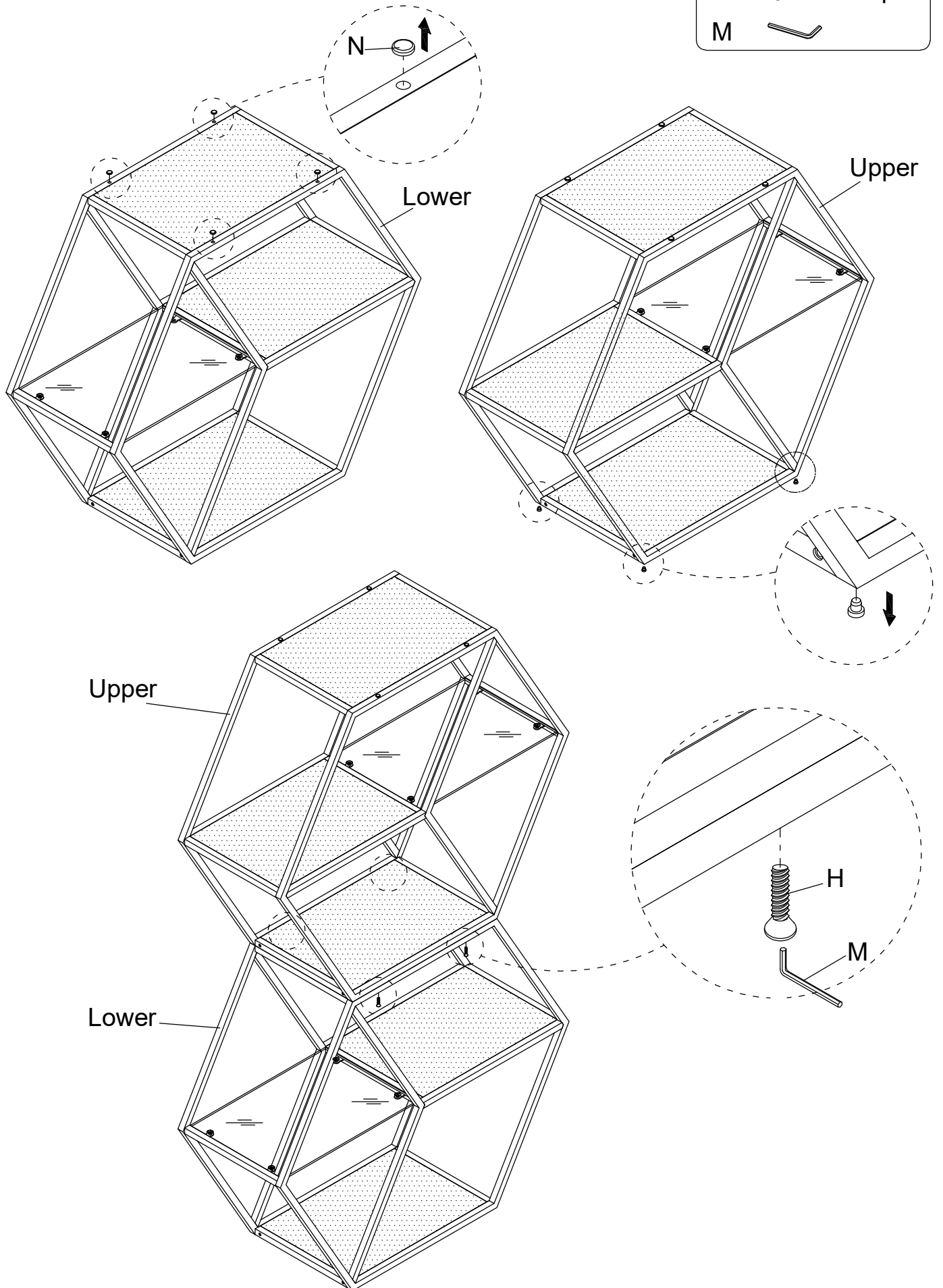


**6** Put Glass Pad (N) to the top of Frame - Front (A) & Frame - Back (B) as below shown. Finished this step, you can use these two bookcases separately as option 1.



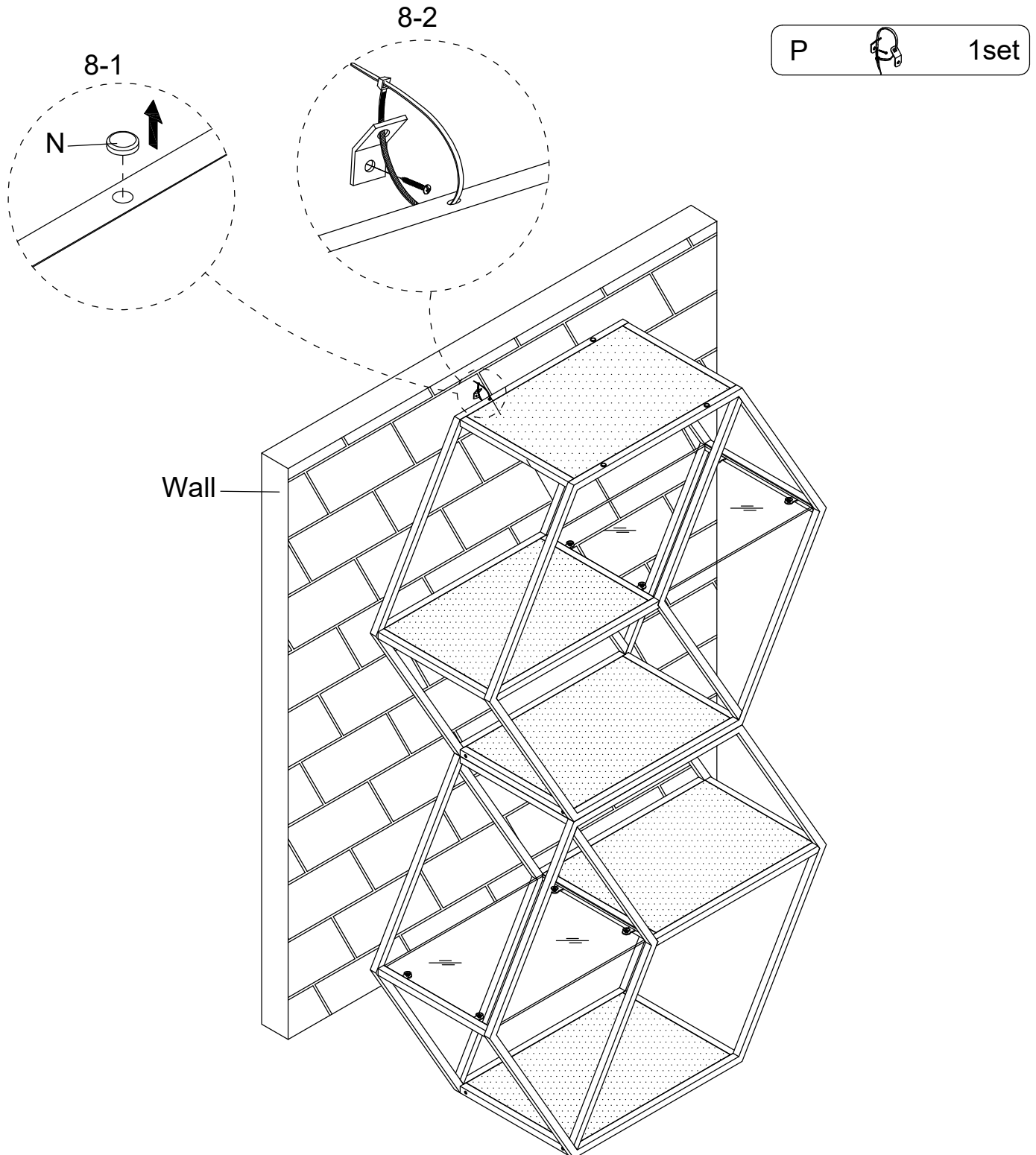
**7** Assemble option 2: take off Glass Pad (N) from the top of one Bookcase as lower one, then take off nail from the bottom of the other bookcase as upper one, finally put the upper bookcase on the lower bookcases, using Bolt (H) to fix these two bookcases by Allen Key (M) as below shown.

H		4pcs
M		



**8** Remark: there is a Anti-Tipping Kit (P) provided on the back of this product. Please read the instruction thoroughly and install immediately when placed in home. To prevent tip over, when you use bookcases as option 2, the product must be attached to wall.

Before assembling the anti-tipping kit, please remove Glass Pad (N) first as below shown.



### Cleaning & Care

Treat surface with care. Surface is resistant to scratches but is not scratch resistant. Clean surfaces with a dry or damp soft cloth. Do not use abrasive cleaners. Hardware may loosen over time. Periodically check that all connections are tight.