

# T6C

## 1x4 LED Troffer

### Product Description

Designed for easy contractor installation, the T6C LED Troffer features a pre-mounted driver and a maintenance-free, fully-sealed chamber with seamless Aluminum frame to keep bugs and dust out. The fixture utilizes a precision-engineered, textured diffuser to deliver maximum lumen output and optimal uniformity without revealing hot spots or shadowing. The T6C LED Troffer fits easily into standard ceiling grids and is available in 1x4, 2x2, and 2x4 configurations, making it ideal for new construction and retrofit projects.

#### Construction

- Extruded aluminum frame with powder coat finish
- Durable stamped housing
- High efficiency, fully sealed, maintenance-free LED chamber
- Smooth formed sides for safe handling

#### Optical System

- Patented internal optical system
- Precision engineered polystyrene diffuser
- High reflectivity internal coating
- No visible diodes, hot-spots, or shadows providing high uniformity, and reduced glare

#### Electrical

- Input voltage of 120-277VAC
- Full-range dimming via 0-10VDC controls
- 4kV surge protection standard
- TM-21 Reported L70(9k) life >54,000 hours
- LM-79, LM-80 testing performed in accordance with IESNA standards
- Meets FCC 15 Part B: 2016 Class A requirements

#### Mounting and installation

- Features a pre-mounted driver for contractor friendly installation
- Single cover plate with access to both line and low voltage connections.
- Can be installed in conventional suspended grid ceiling or drywall with an optional adaptor
- Integral grid tie clips with wire holes provided for seismic requirements
- Certified for direct contact with insulation
- Operating temperature rating of -4°F to 104°F (-20°C to 40°C)
- For installations where power surge may be possible, NICOR recommends installing additional surge protection at the fixture or electrical distribution panel

#### Finish

- Gloss white

#### Options

- High Voltage (347-480VAC) option
- Drywall adaptor/flange kit (FK14)
- Surface mount kit (TPE10SK14/SK14) converts T6C Series troffers into surface mount luminaires
- Emergency battery backup kit

#### Warranty

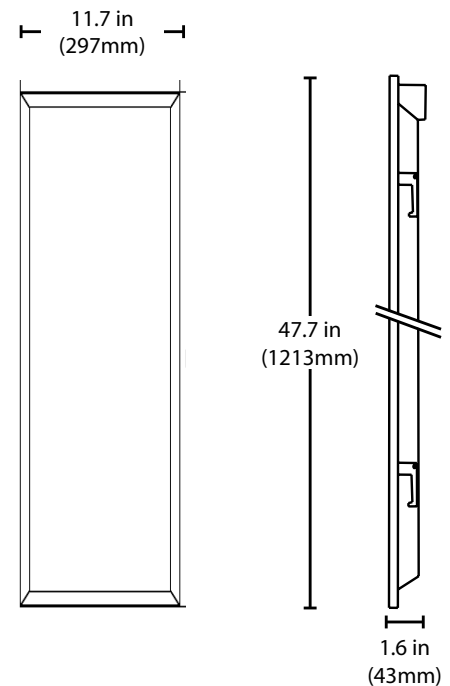
- 5-year limited system warranty standard
- Warranty does not cover product failure due to an overvoltage event (power surge.)

Project

Catalog

Type

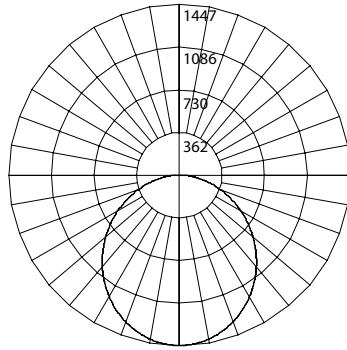
Date



## Photometric Data

### T6C14H 3500K

|                             |         |
|-----------------------------|---------|
| Input Voltage (VAC)         | 120-277 |
| System Level Power (W)      | 31.7    |
| Delivered Lumens (Lm)       | 4009    |
| System Efficacy (Lm/W)      | 126.5   |
| Correlated Color Temp (K)   | 3388    |
| Color Rendering Index (CRI) | 82      |
| Beam Angle                  | 109.6°  |
| Spacing Criteria            | 1.24    |



#### Intensity Summary (Candle Power)

| Angle | Mean CP |
|-------|---------|
| 0     | 1446    |
| 10    | 1416    |
| 20    | 1330    |
| 30    | 1196    |
| 40    | 1025    |
| 50    | 826     |
| 60    | 610     |
| 70    | 389     |
| 80    | 182     |
| 90    | 0       |

#### CCT Data Multiplier

|           |       |
|-----------|-------|
| T6C14HU40 | 1.006 |
| T6C14HU50 | 1.014 |

#### Cone of Light Tabulation

| Mounted height (Feet) | Footcandles Beam Center | Diameter (Feet) |
|-----------------------|-------------------------|-----------------|
| 8                     | 22.7                    | 9.8             |
| 10                    | 14.5                    | 12.3            |
| 12                    | 10.0                    | 14.7            |
| 14                    | 7.3                     | 17.3            |

#### Zonal Lumen Summary

| Zone   | Lumens | % of Luminaire |
|--------|--------|----------------|
| 0-30   | 1106   | 27.6%          |
| 0-40   | 1800   | 44.9%          |
| 0-60   | 3139   | 78.3%          |
| 0-90   | 4009   | 100%           |
| 90-180 | 0      | 0%             |
| 0-180  | 4009   | 100%           |

Fixture tested per LM-79-08. Photometric data is of the performance of a representative fixture. Results may vary in the field.

#### Performance Data

| Model Number | Lumens | Watts | Lumens/Watt |
|--------------|--------|-------|-------------|
| T6C14HU35    | 4009   | 31.7  | 126.5       |
| T6C14HU40    | 4032   | 31.7  | 127.2       |
| T6C14HU50    | 4064   | 27.3  | 128.2       |

#### Recommended Dimmers\*

Lutron NTSTV  
Lutron DVSTV  
Cooper SF10P  
Legrand RH4FBL3PW

\*Not a complete list. Check compatibility before installation.

#### Accessories

Surface Mount Kit TPE10SK14  
Surface Mount Kit for use with EM SK14  
Flange Kit TPE10FK14

## Ordering Information

Example: T6C14SU40

| Series | Size       | Output   | Voltage      | CCT's       | EM (Optional) |
|--------|------------|----------|--------------|-------------|---------------|
| T6C    | 14 (1 x 4) | H (High) | U (120-277V) | 35 (3500 K) | E1 (EMB045)   |
|        |            |          | H (347-480V) | 40 (4000 K) | E2 (EMB080)   |
|        |            |          |              | 50 (5000 K) | E3 (EMB250)   |

Specifications and dimensions subject to change without notice.

This device complies with part 15 of the FCC Rules. Operation is subject to the following two conditions: (1) This device may not cause harmful interference, and (2) this device must accept any interference received, including interference that may cause undesired operation.

NOTE: This equipment has been tested and found to comply with the limits for a Class A digital device, pursuant to part 15 of the FCC Rules. These limits are designed to provide reasonable protection against harmful interference when the equipment is operated in a commercial environment. This equipment generates, uses, and can radiate radio frequency energy and, if not installed and used in accordance with the instruction manual, may cause harmful interference to radio communications. Operation of this equipment in a residential area is likely to cause harmful interference in which case the user will be required to correct the interference at his own expense.