

YOUR AUTHORIZED CONTINENTAL DEALER



DIRECT VENT GAS STOVE  
**CDVS600**  
DIRECT VENT GAS STOVE

**CONTINENTAL**

P: 1-866-820-8686  
continentalcomfort.com



Consult your owner's manual for complete installation instructions, accurate framing dimensions and proper clearances to combustible material. Check all local and national building codes. All specifications are subject to change without prior notice due to on-going product improvements. Products may not be exactly as shown

Build Quality, Build Confidence.  
continentalcomfort.com



**CONTINENTAL**



# CDVS600

## Cast Iron Elegance

The elegant European design offers old world charm through via cast iron construction that provides a lifetime of enjoyable comfort and style

## Variable Heat Range

Control the exact amount of heat needed up to 35,000 BTU's

## Electronic Ignition

Fuel-saving electronic ignition with battery back-up so you can stay problem-free when power-free

## FEATURES

- 394 sq. in. viewing area
- 100% SAFE GUARD™ automatic gas shut off for your peace of mind
- Large viewing area
- Elegant arched front and a sleek, sophisticated outer casting design
- Exclusive PHAZER™ log set with traditional glowing charcoal embers
- Optional remote
- Optional Natural Draft Adapter Kit allowing installation into existing chimneys



## SPECIFICATIONS

CDVS600

BTU's (Input)	35,000
Venting	Top* / Rear 4" / 7"
Glass Type	Ceramic
Mobile Home Certified	Yes

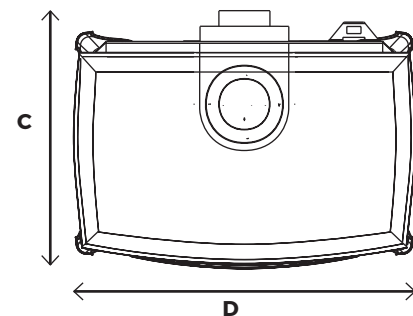
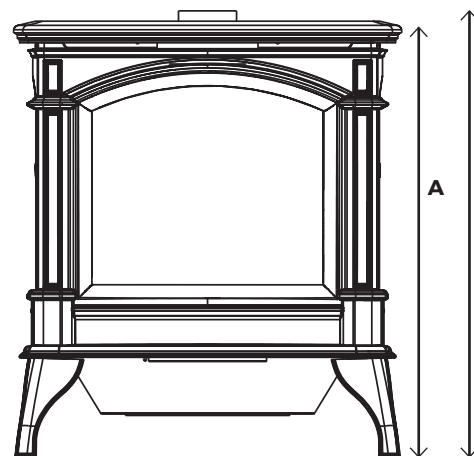
### MAXIMUM CLEARANCES

Corner	2"
Rear	6"
Side	6"

### GLASS VIEWING AREA

Height	18 ¾"
Width	21"

OVERALL UNIT			
A	B	C	D
30 ½"	37"	27"	19 ½"



\*Finishing flange depth (The finishing flange defines the perimeter of the fireplace opening). Framing or finishing materials must NEVER encroach inside the finishing flange.

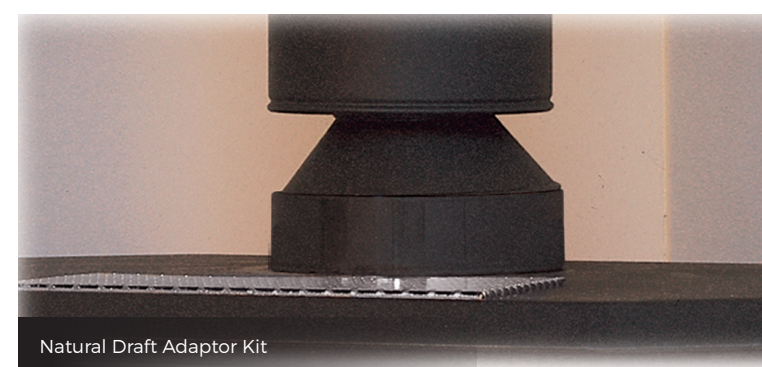
## MEDIA OPTIONS



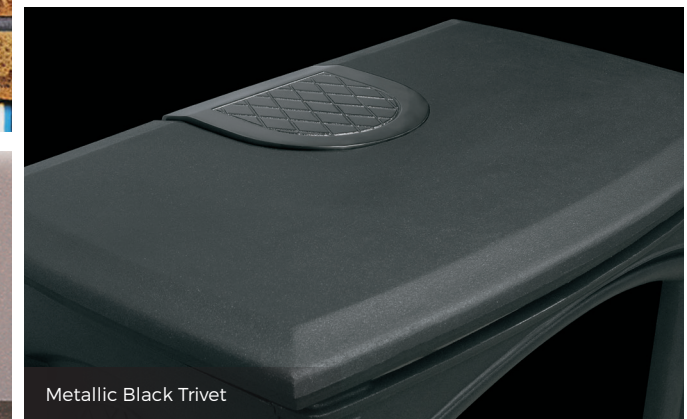
Sandstone Panel



Andirons



Natural Draft Adaptor Kit



Metallic Black Trivet

## Panels and Brick Kits

Optional Sandstone Panel Metallic Black Trivet, Andirons, Natural Draft Adapter Kit