

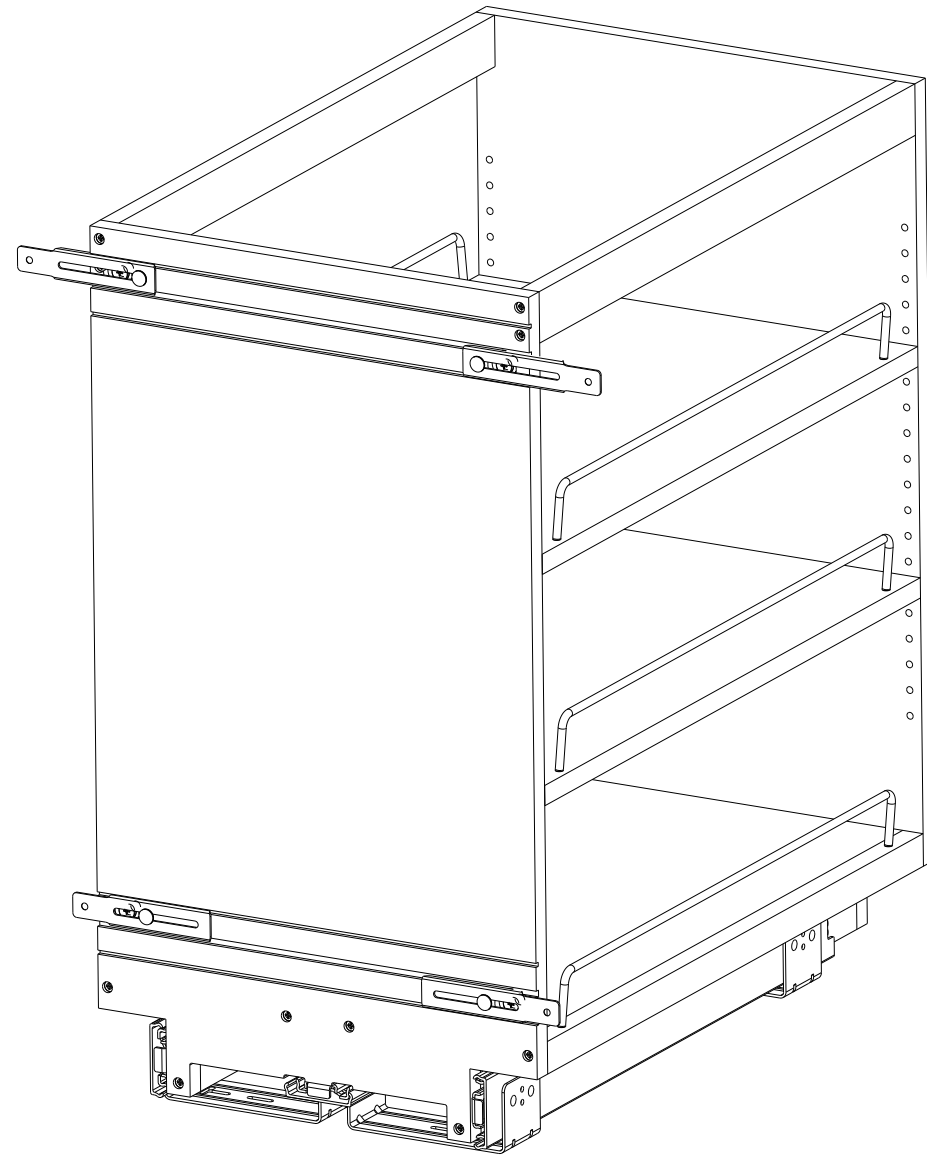
NOTES:
 RECOMMENDED SCREW SIZE INTO
 DOOR #6 X 1/2" (PROVIDED BY RAS) QTY 4

CUSTOMER DRAWING

This drawing is the property of Rev-A-Shelf (RAS) and is disclosed in confidence to the extent its subject matter is original to RAS. Any vendor receiving this drawing from RAS shall hold and use this drawing for the sole benefit of RAS and shall not disclose it to, or use or reproduce it for any third party, or perform any act adverse to the interest of RAS with respect to this drawing without the express written permission of RAS. Vendors shall not revise any physical, dimensional or performance characteristic unless authorized by Rev-A-Shelf Engineering.

REV.	DATE	BY	DESCRIPTION OF CHANGE
A	6/24/08	BT	ECN08-049

INCH [MM]	AMERICAN PROJECTION	DRAWN	BY	DATE	REV-A-SHELF, INC.		
			PFC	6/23/08	SIZE	DRAWING NO.	SCALE
					B	448BC-14 PULLOUT BASE ORGANIZER	3:16
TOLERANCES			MATERIAL		DRAWING NO.		SCALE
MAT. DEC. (WOOD) .XX ±.03 [.8mm] (OTHER) .XX ±.02 [.5mm] (ALL) .XXX ±.005 [.13 mm] FRACTIONS ±1/32 [.8 mm]			FINISH		PART NO.		SHEET OF
					448-BC-14C		1 2



PART DIMENSIONS	
WIDTH	14.00 [355,6]
DEPTH	22.46 [570,5]
HEIGHT	25.50 [647,7]
WEIGHT	47.5 LBS

MIN CABINET OPENING	
WIDTH	14.50 [368,3]
DEPTH	22.50 [571,5]
HEIGHT	25.75 [654,1]

PRODUCT MAX WEIGHT RATING	
BMHA STANDARD	

SLIDE SPECIFICATIONS				
SLIDE TYPE	BALL BEARING	SLIDE EXTENSION	FULL EXTENSION	MAX WEIGHT RATING
SLIDE CLOSING	N/A	SLIDE LENGTH	500MM	
SLIDE MOUNTING	N/A	SLIDE FINISH	ZINC	
				150LB

CUSTOMER DRAWING

This drawing is the property of Rev-A-Shelf (RAS) and is disclosed in confidence to the extent its subject matter is original to RAS. Any vendor receiving this drawing from RAS shall hold and use this drawing for the sole benefit of RAS and shall not disclose it to, or use or reproduce it for any third party, or perform any act adverse to the interest of RAS with respect to this drawing without the express written permission of RAS. Vendors shall not revise any physical, dimensional or performance characteristic unless authorized by Rev-A-Shelf Engineering.

REV.	DATE	BY	DESCRIPTION OF CHANGE
A	6/24/08	BT	ECN08-049

INCH [MM]	AMERICAN PROJECTION	DRAWN	BY	DATE	REV-A-SHELF, INC.	
			PFC	6/23/08	SIZE	448BC-14 PULLOUT BASE ORGANIZER
TOLERANCES		ANGLES ±1/2°	MATERIAL	DRAWING NO.	SCALE	3:16
MAT. (WOOD)	DEC. .XX ±.03 [.8mm]		FINISH	448-BC-14C	PART NO.	448-BC-14C
(OTHER)	.XX ±.02 [.5mm]					
(ALL)	.XXX ±.005 [.13 mm]					
	FRACTIONS ±1/32 [.8 mm]					