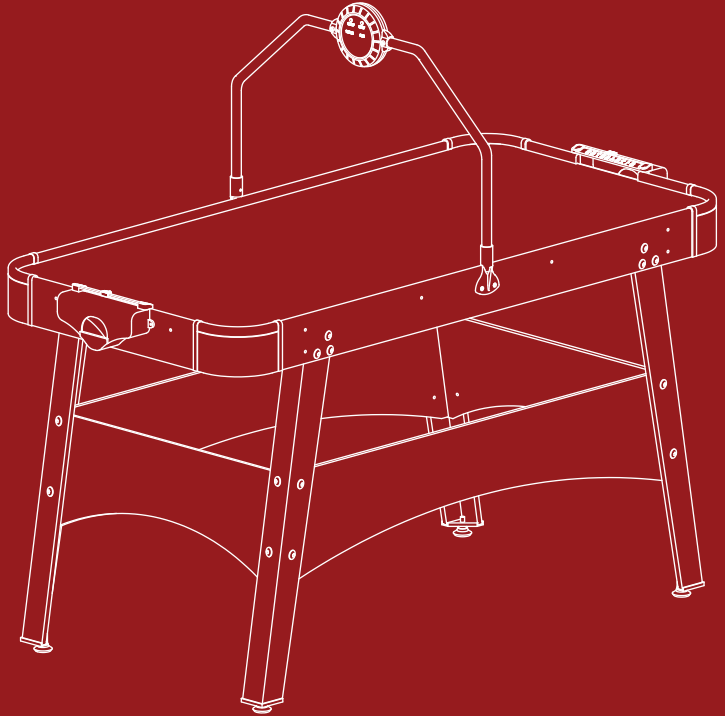




BEST CHOICE
PRODUCTS



INSTRUCTION MANUAL

54" LED Air Hockey Table



Fasten screws loosely during assembly. Do not firmly tighten screws until item is fully assembled.

bestchoiceproducts.com



WARNING

CHOKING HAZARD - Small parts.
Not for children under 3 years old.



WARNING

ADULT ASSEMBLY REQUIRED



**BEST CHOICE
PRODUCTS**

As shoppers, we're always trying to find the perfect balance between quality & value. At BCP, we believe we've achieved that. Our diverse catalog of everyday essentials is tailored especially to our customers & guaranteed to hit that sweet spot of high quality & low price.

— Always. —

! NOTICE

Please retain these instructions for future reference.

- Do not stand on or use any part of this set as a step ladder.
- Firmly secure all bolts, screws and knobs before use.
- Reconfirm that all bolts, screws, and knobs are secure every 90 days.
- Be aware that some parts are heavy and have sharp edges.
- Do not use or store this item in the proximity of open flame or flammable/combustible chemicals.
- If any parts are missing, broken, damaged, or worn, stop using this product until repairs are made and/or factory replacement parts are installed.
- Do not use this item in a way inconsistent with the manufacturer's instructions as this could void the product warranty.
- This product is intended for residential use only.

! WARNING

- Do not obstruct the fan as this could damage the motor.
- Do not attempt to repair any electrical components; this may cause further damage or bodily harm.
- This item contains small parts; use caution to avoid choking hazard.
- Do not attempt to remove the fan under any circumstances.

TOOLS REQUIRED



PHILLIPS
SCREWDRIVER



ALLEN WRENCH
(PROVIDED)



3 YEARS
OLD AND UP



2 PERSON
ASSEMBLY



UP TO 1 HR.
ASSEMBLY

HARDWARE

1 1/4" x 28mm
BOLT



28 PCS

2 1/4" WASHER



28 PCS

3 M4 x 12mm
SCREW



10 PCS

4 M3.5 x 25mm
SCREW



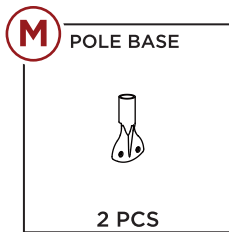
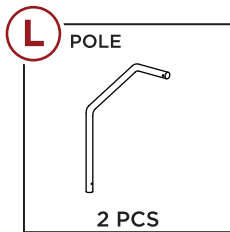
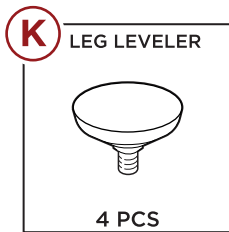
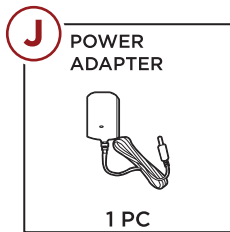
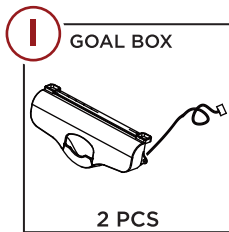
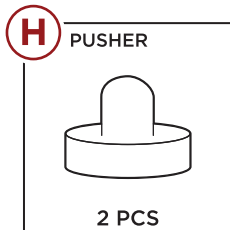
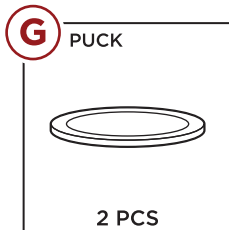
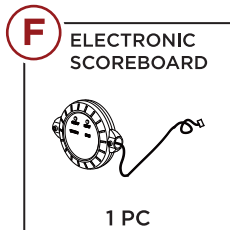
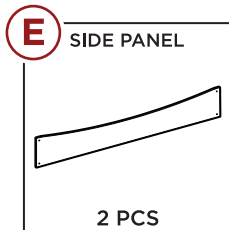
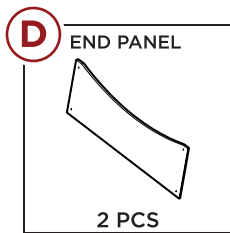
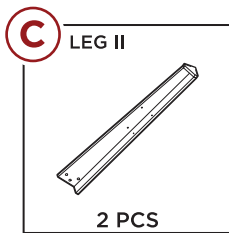
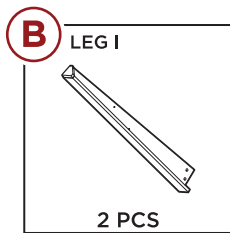
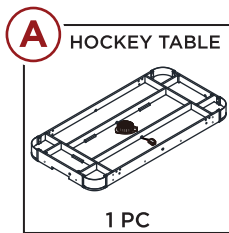
2 PCS

5 M4 NUT



2 PCS

PARTS

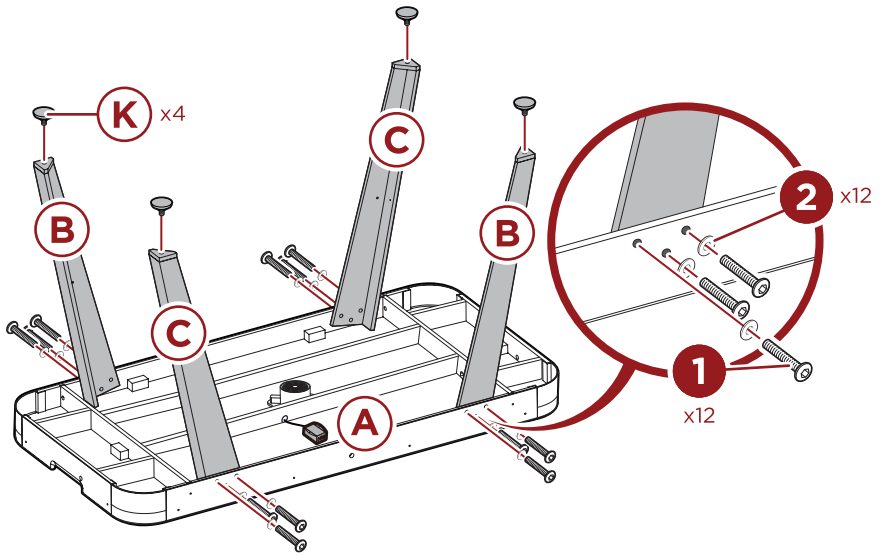


PRODUCT ASSEMBLY

1

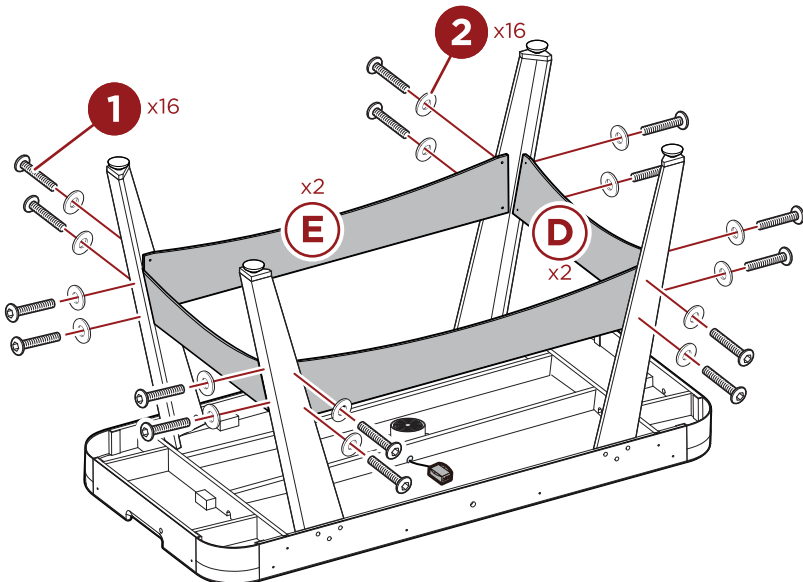
Flip the **part A hockey tabletop** and lay it on a flat surface.

Attach four **part B** and **part C** legs with twelve **part 1 bolts** and twelve **part 2 washers**.
Screw four **part K leg levelers** into the bottom of each leg.



2

Attach two **part D end panels** and two **part E** side panels with sixteen **part 1 bolts** and sixteen **part 2 washers**.

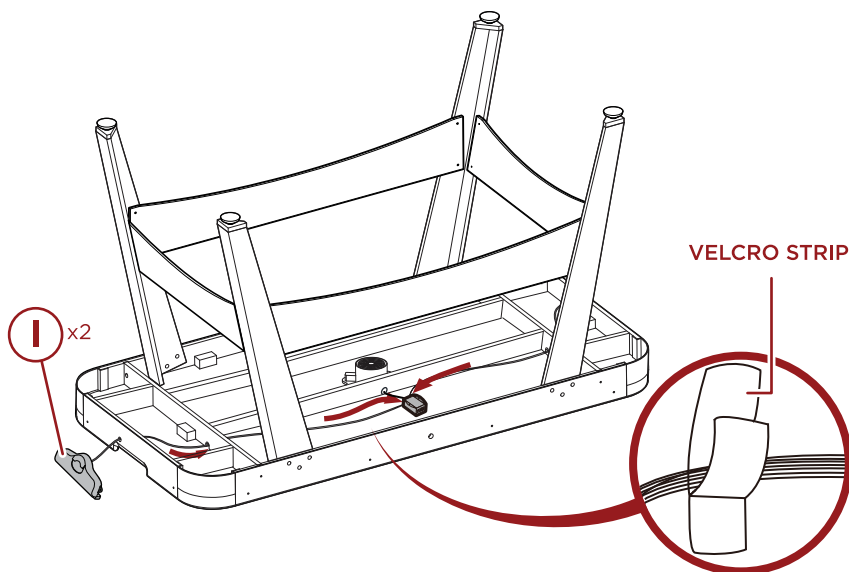


PRODUCT ASSEMBLY

3

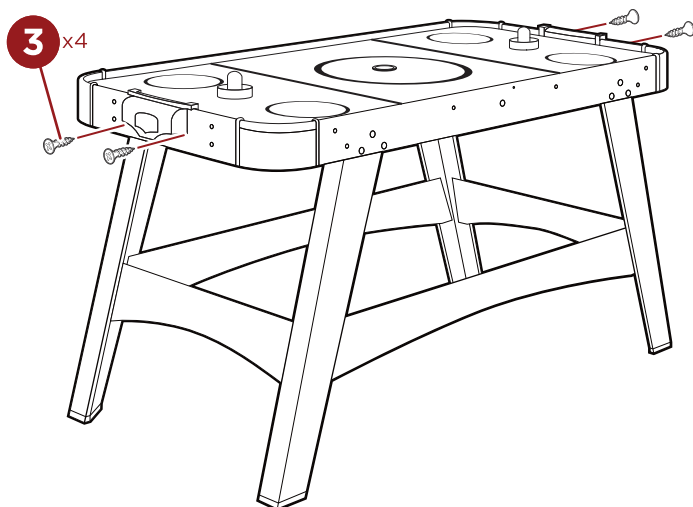
Route the wires from two **part 1 goal boxes** through opposite ends of the hockey tabletop and out the opening on the side.

With two people, carefully flip the table onto its legs.



4

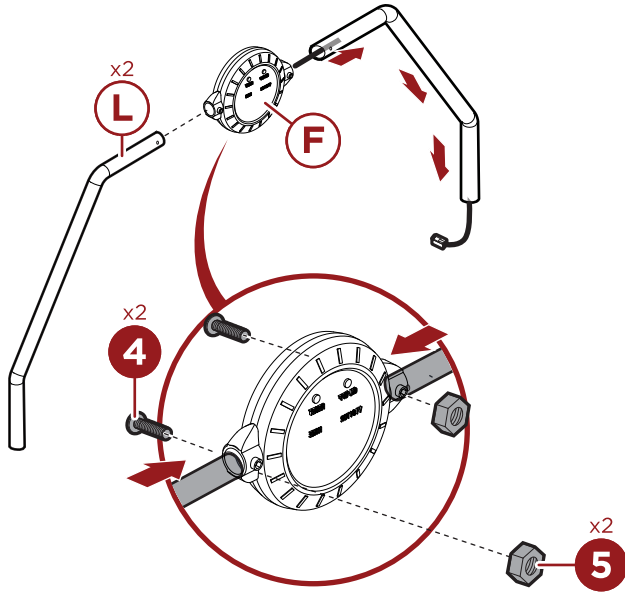
Attach the goal boxes with four **part 3 screws**.



PRODUCT ASSEMBLY

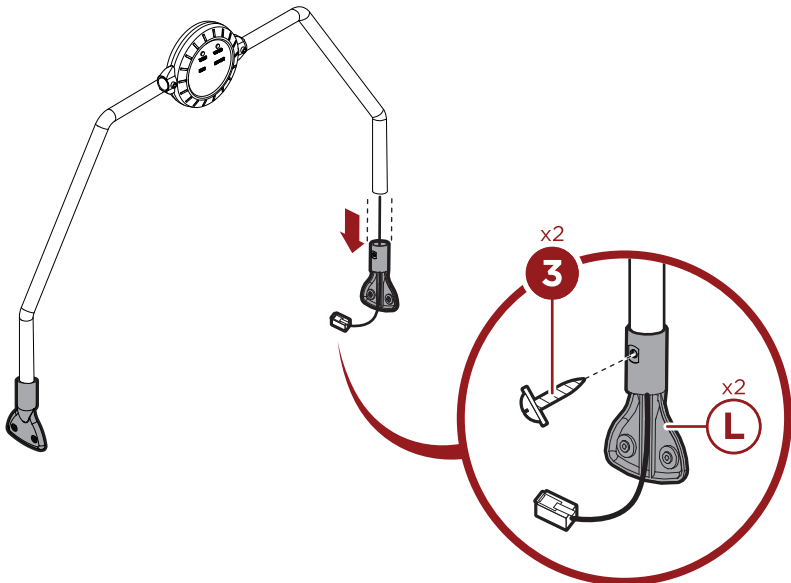
5

Route the wires from two **part F electronic scoreboard** through one of **part L poles**.
Secure the **part L poles** with two **part 4 screws** and two **part 5 nuts**.



6

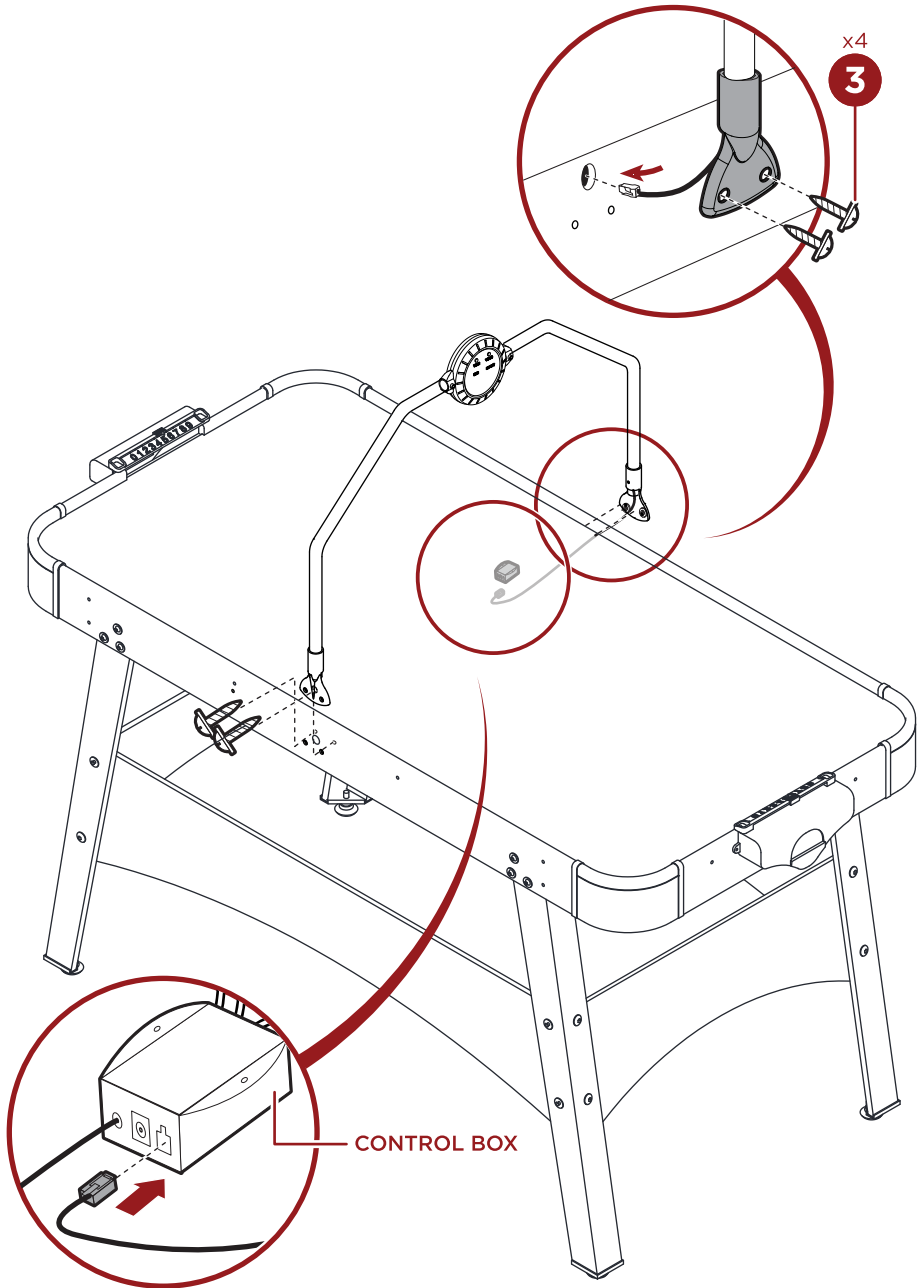
Route the wires through one of **part M pole bases**, and then secure the bases with two **part 3 screws**.



PRODUCT ASSEMBLY

7

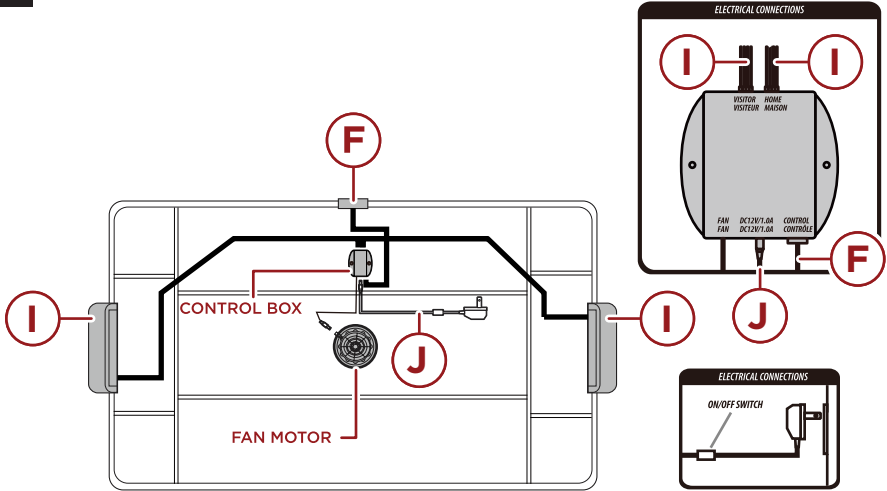
Route the wires from the scoreboard assembly through the side of the hockey tabletop. Make sure the wires are inserted into their corresponding side, and then connect it to the control box. Secure the scoreboard assembly with four **part 3 screw**.



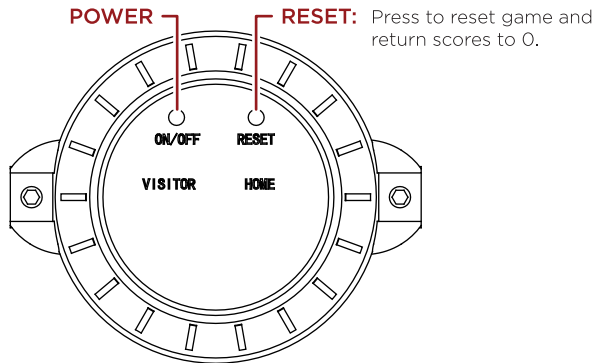
PRODUCT ASSEMBLY

8

Insert the **part J power adapter** into the control box, and then connect the control box to the fan motor under the hockey tabletop.



SCOREBOARD DIAGRAM



GAMEPLAY INSTRUCTIONS

1. Press the power button to turn on the electronic scoreboard.
2. When the "Home" player scores, the "Home" score display increases by 1 point.
When the "Visitor" player scores, the "Visitor" score display increases by 1 point.
3. The first player to reach 10 points wins the game.
NOTE: The scoreboard cannot display 10 points. The winner's score display will stay at 9 and flash for several seconds.
4. Press the reset button to start a new game.

Earn points while you shop. Join today!

bestchoiceproducts
rewards\$

Join | Earn | Redeem

Give your friends 15% off their first order! For each successful referral you'll receive 100 points.

bestchoiceproducts.com



HELP CENTER



Question about your product? We're here to help. Visit us at:

help.bestchoiceproducts.com



Chat Support



Product Inquiry



Orders FAQ



Product Assembly



Returns & Refunds

PRODUCT WARRANTY INFORMATION

All items can be returned for any reason within 60 days of the receipt and will receive a full refund as long as the item is returned in its original product packaging and all accessories from its original shipment are included. All returned items will receive a full refund back to the original payment method. All returned items will not be charged a re-stocking fee.

All returned items require an RA (Return Authorization) number, which can only be provided by a Best Choice Products Customer Service Representative when the return request is submitted. Items received without an RA may not be accepted or may increase your return processing time. Once an item has been received by Best Choice Products, refunds or replacements will be processed within 5 business days.

All returns must be shipped back to the Best Choice Products Return Center at the customer's expense. If the reason for return is a result of an error by Best Choice Products then Best Choice Products will provide a pre-paid shipping label via email. Boxes for return shipping will not be provided by Best Choice Products, and is the customer's responsibility to either use the original shipping boxes or purchase new boxes.

Pictures may be required for some returns to ensure an item is not damaged prior to its return. Items returned are not considered undamaged until they are received by Best Choice Products and verified as such. All damages to items are the customer's responsibility until the item has been received by and acknowledge by Best Choice Products as undamaged.

© Best Choice Products, Inc. All rights reserved. Distributed by Best Choice Products, Inc. Tustin, CA 92780

WARNING

Manufacturer and seller expressly disclaim any and all liability for personal injury, property damage or loss, whether direct, indirect, or incidental, resulting from the incorrect attachment, improper use, inadequate maintenance, unapproved modification, or neglect of this product.