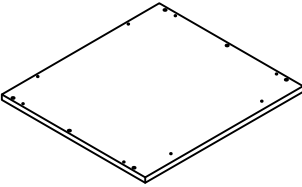
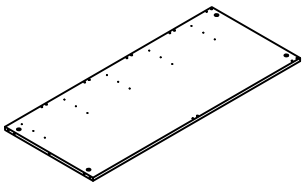
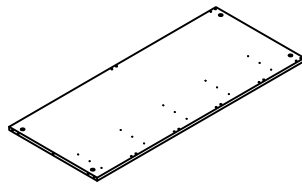
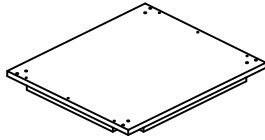
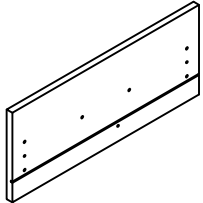
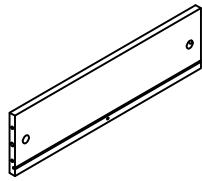
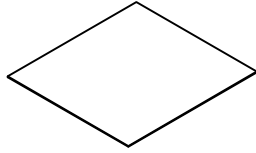
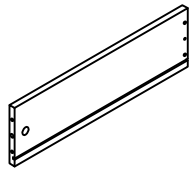
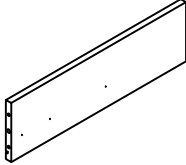
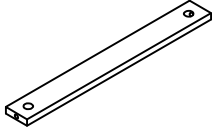
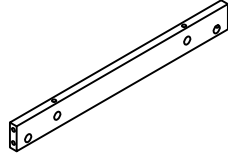
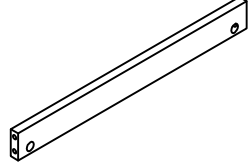







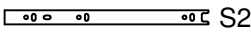

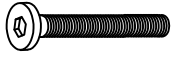


ASSEMBLY INSTRUCTION

5-DRAWER CHEST

A Top Panel 	B Left Side Panel 	C Right Side Panel 	D Bottom Panel 
1 pc	1 pc	1 pc	1 pc
E Drawer Front 	F Drawer Back Panel 	G Drawer Bottom Panel 	H Drawer Left Side Panel 
5 pcs	5 pcs	5 pcs	5 pcs
I Drawer Right Side Panel 	J Drawer Bottom Support Rail 	K Top Support Rail 	L Center Support Rail 
5 pcs	5 pcs	2 pcs	5 pcs
M Back Panel 	N Leg 	O Minifix Cam Bolt 7mm x 24mm 	P Minifix Cam Lock 15mm x 9.5mm 
2 pcs	4 pcs	56 pcs	56 pcs
Q Wood Dowel M8 x 25mm 	R Csk Screw M4 x 12mm-Black 	S Drawer Slide 250mm  S1  S2	T Allen Key M4 x 65mm 
30 pcs	60 pcs	10 sets	1 pc

U JCBC Screw
M6 x 40mm



4 pcs

V Spring Washer
M6 x 13mm



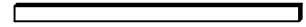
4 pcs

W Flat Washer
M6 x 19mm



4 pcs

X Plastic Strip
H Shape



1 pc

Y Panhead Screw
M3.5 x 16mm-Black



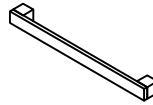
18 pcs

Z Wood Dowel
M6 x 25mm



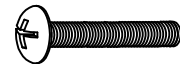
40 pcs

AA Handle



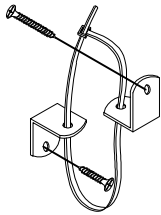
5 pcs

AB Truss M-Screw
20mm

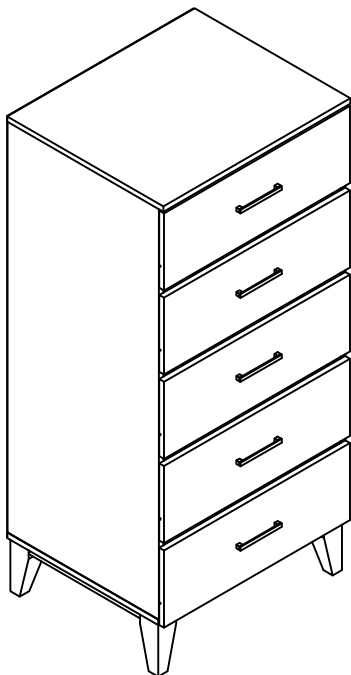


10 pcs

AC Anti-Tipping Kit

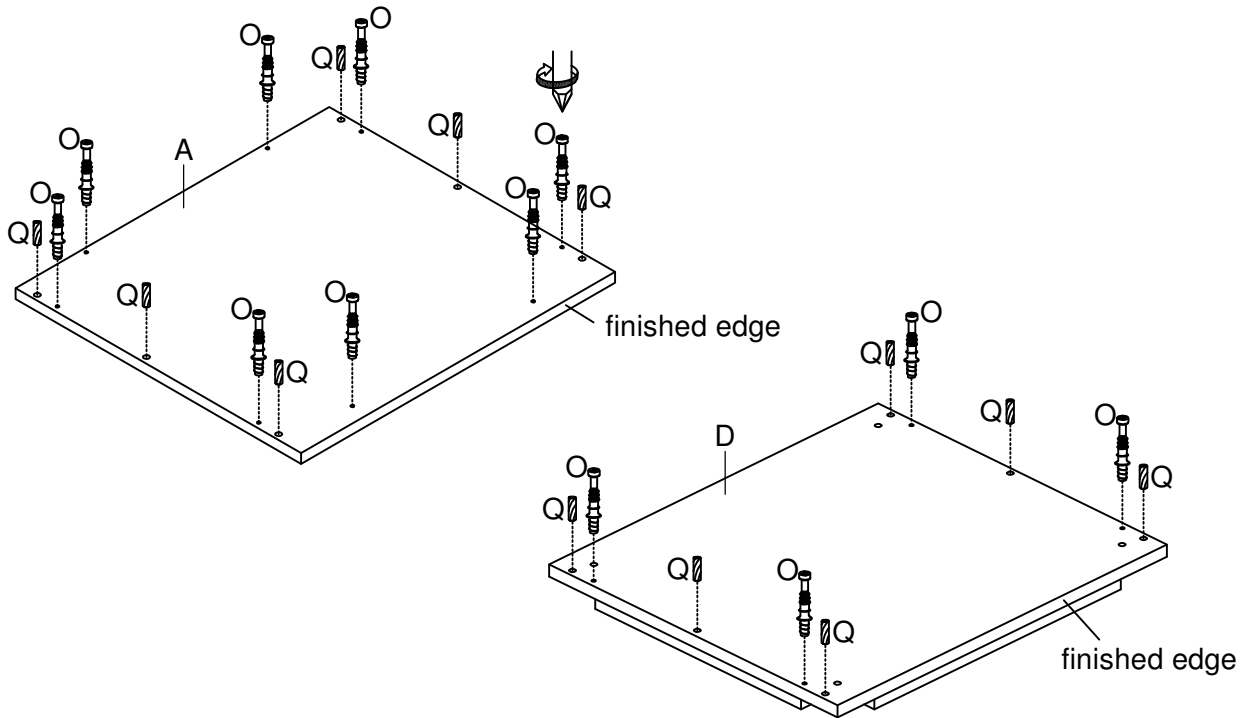


1 set



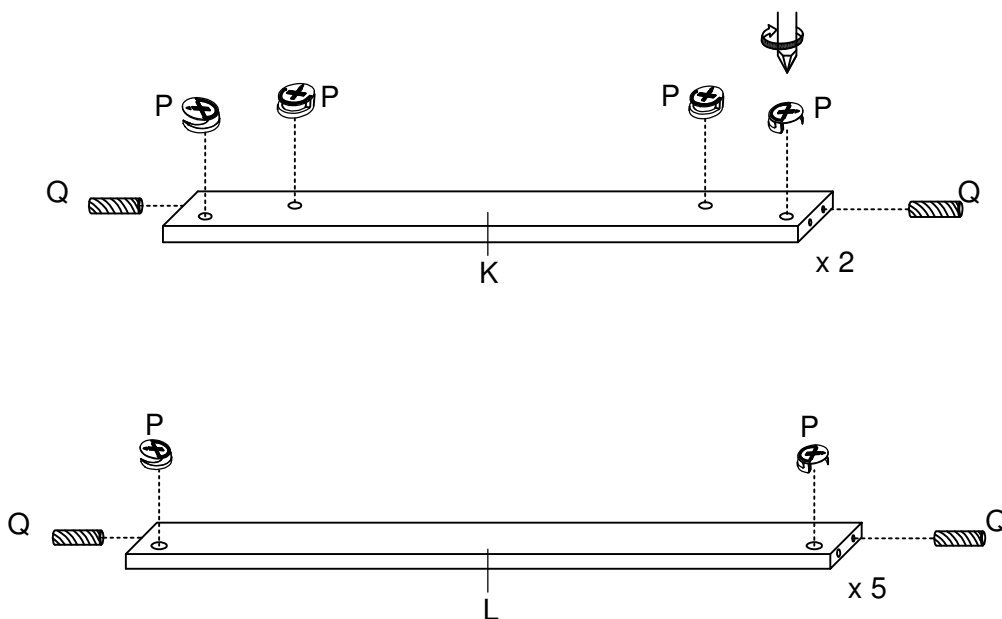
These pages list all the contents included in the box. Please take the time to identify the hardware as well as the individual components to this product. As you unpack and prepare for assembly, place the contents on a carpeted or padded area to protect them from damage.

- 1** Insert Minifix Cam Bolt (O) and Wood Dowel (Q) into the Top & Bottom Panel (A & D) with screwdriver (not provided).



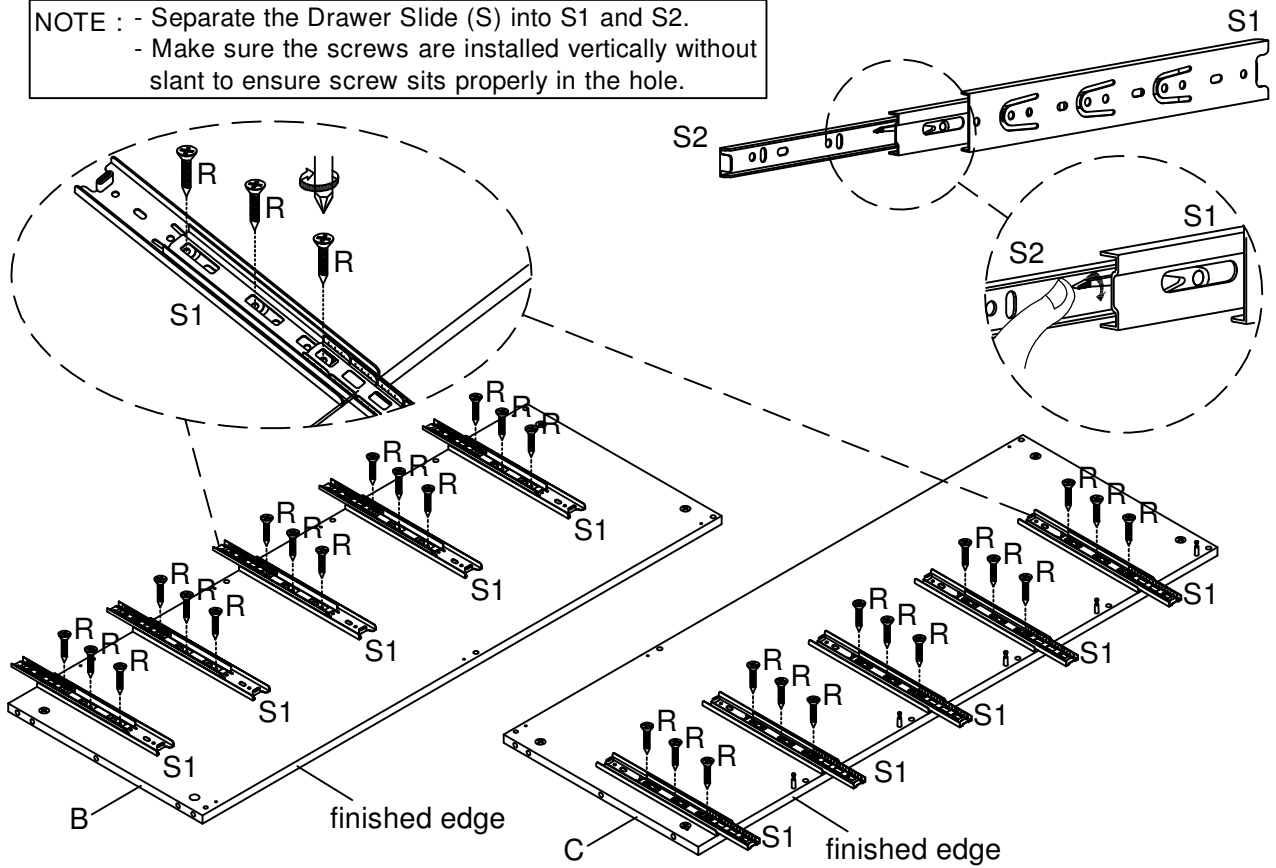
- 2** Insert Minifix Cam Lock (P) and Wood Dowel (Q) into the Top & Center Support Rail (K & L) with screwdriver (not provided).

NOTE : - Make sure arrows on each Minifix Cam Lock (P) points towards nearest edge with holes.



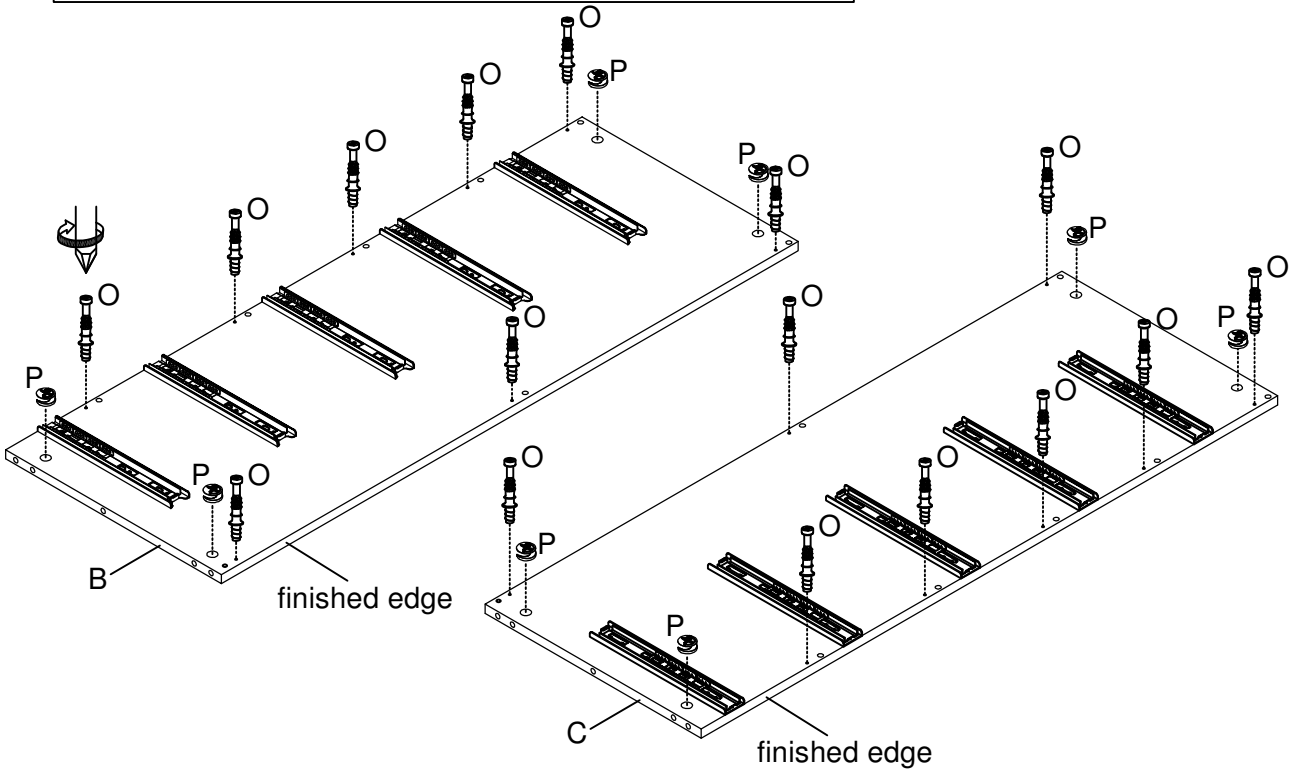
3 Attach the Drawer Slide (S1) to the Left & Right Side Panel (B & C) using Csk Screw (R) with screwdriver (not provided).

NOTE : - Separate the Drawer Slide (S) into S1 and S2.
- Make sure the screws are installed vertically without slant to ensure screw sits properly in the hole.

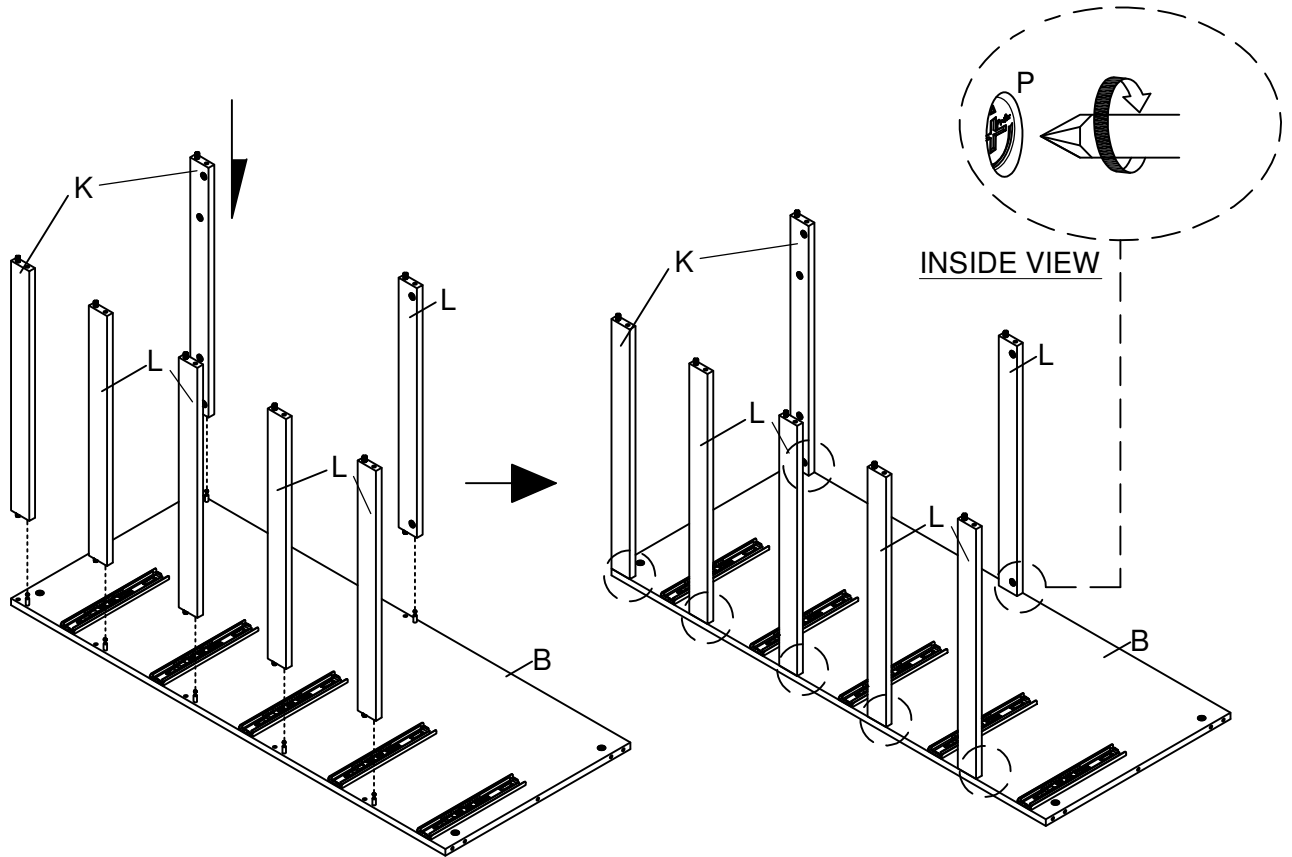


4 Insert Minifix Cam Bolt (O) and Minifix Cam Lock (P) into the Left & Right Side Panel (B & C) with screwdriver (not provided).

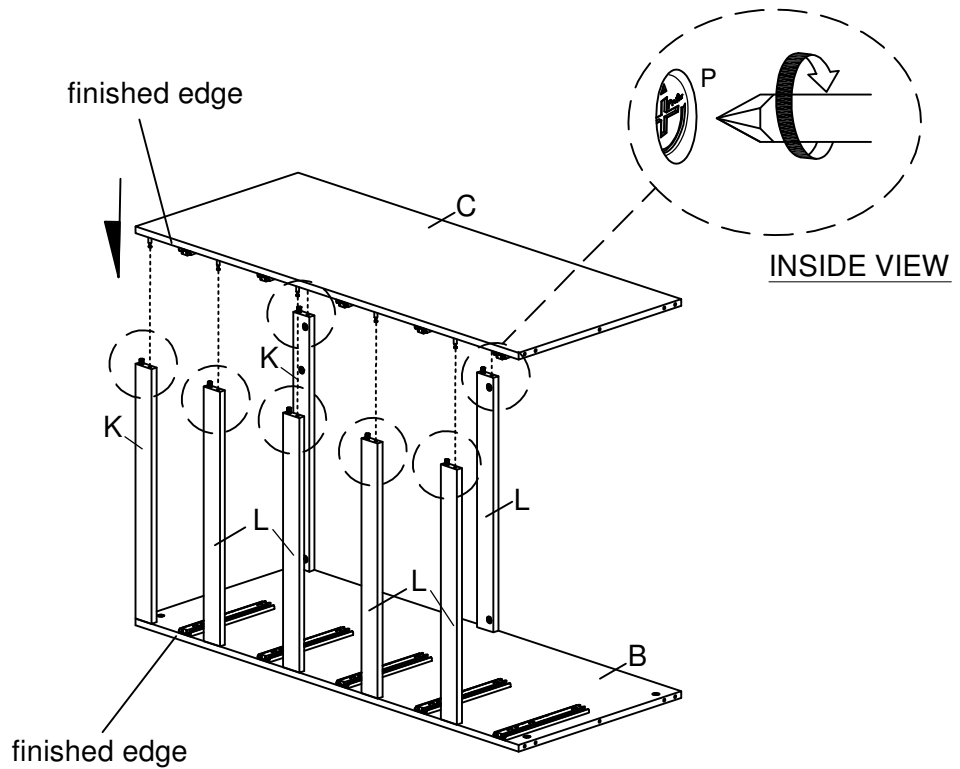
NOTE : - Make sure arrows on each Minifix Cam Lock (P) points towards nearest edge with holes.



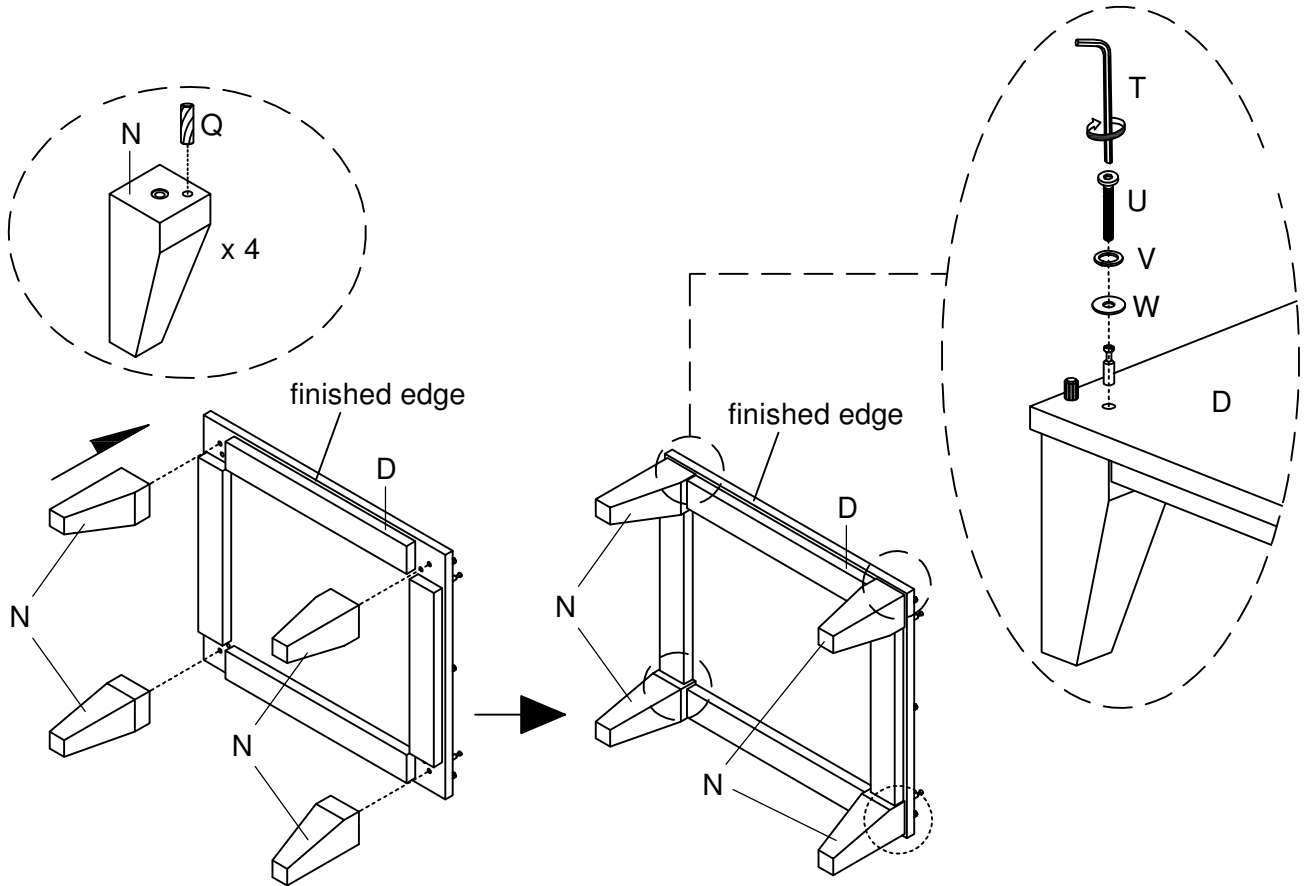
- 5** Attach the Top & Center Support Rail (K & L) to the Left Side Panel (B) and tighten the Minifix Cam Lock (P) with screwdriver (not provided).



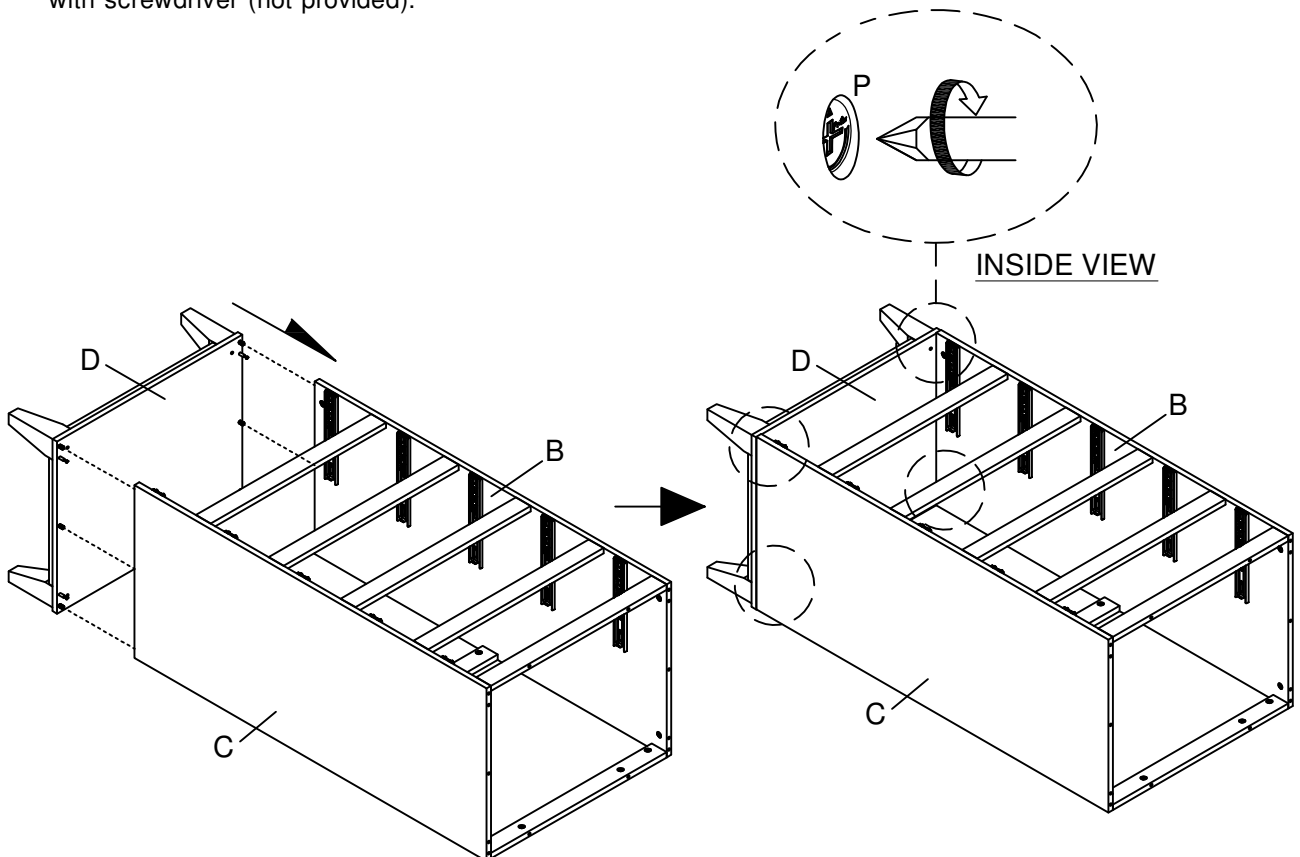
- 6** Attach the Right Side Panel (C) to the Top & Center Support Rail (K & L) and tighten the Minifix Cam Lock (P) with screwdriver (not provided).



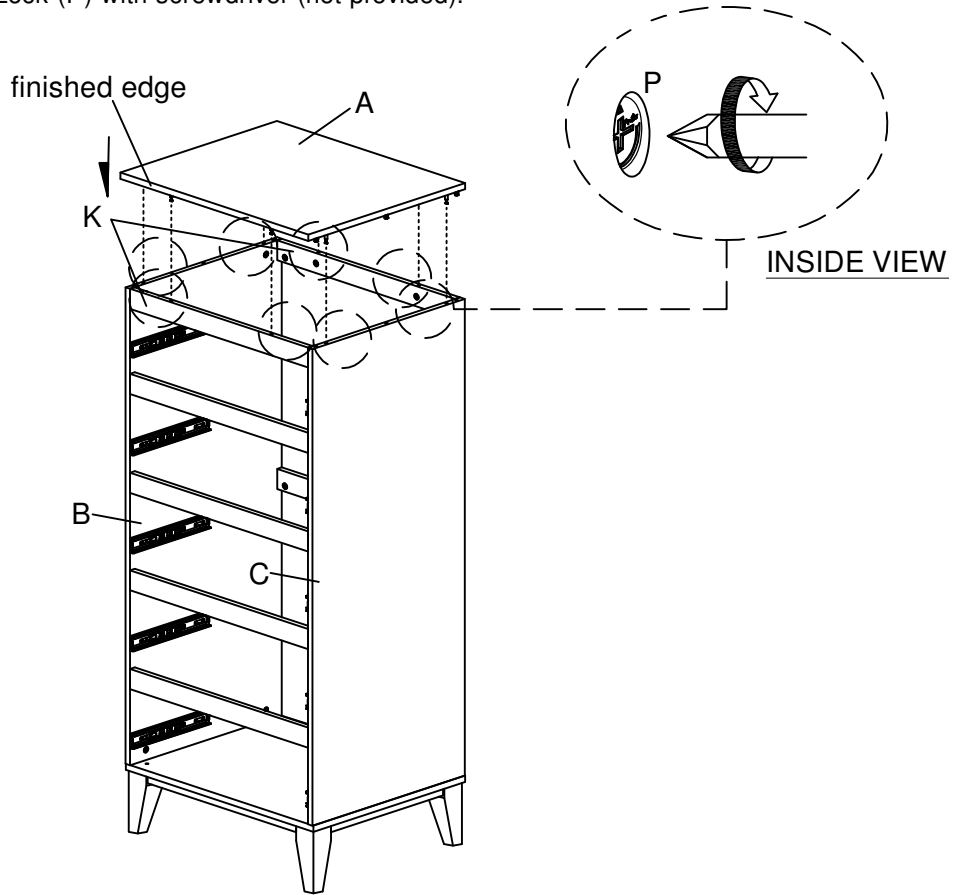
- 7** Insert Wood Dowel (Q) into the Leg (N). Attach the Leg (N) to the Bottom Panel (D) using JCBC Screw (U), Spring Washer (V) and Flat Washer (W) with Allen Key (T).



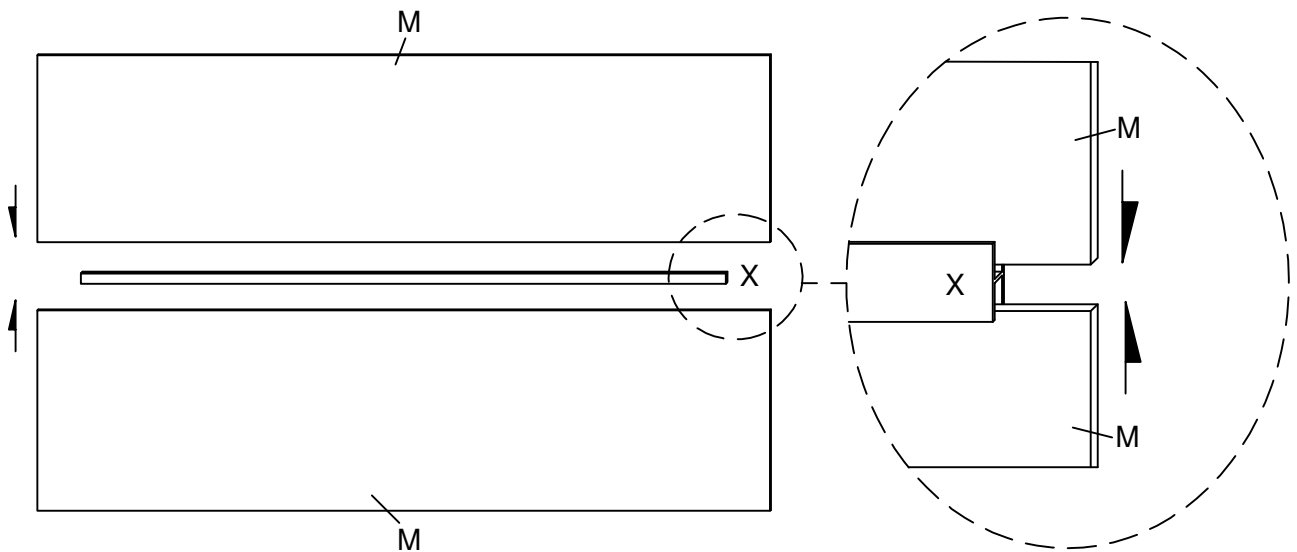
- 8** Attach the Bottom Panel (D) to the Left & Right Side Panel (B & C) and tighten the Minifix Cam Lock (P) with screwdriver (not provided).



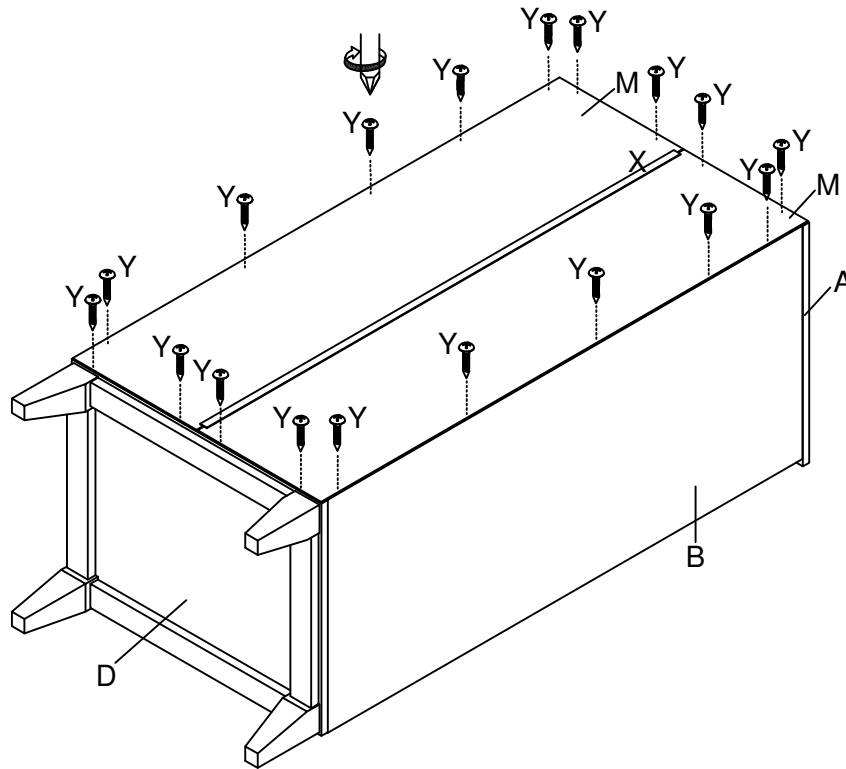
- 9** Attach the Top Panel (A) to the Left & Right Side Panel (B & C) and Top Support Rail (K) and tighten the Minifix Cam Lock (P) with screwdriver (not provided).



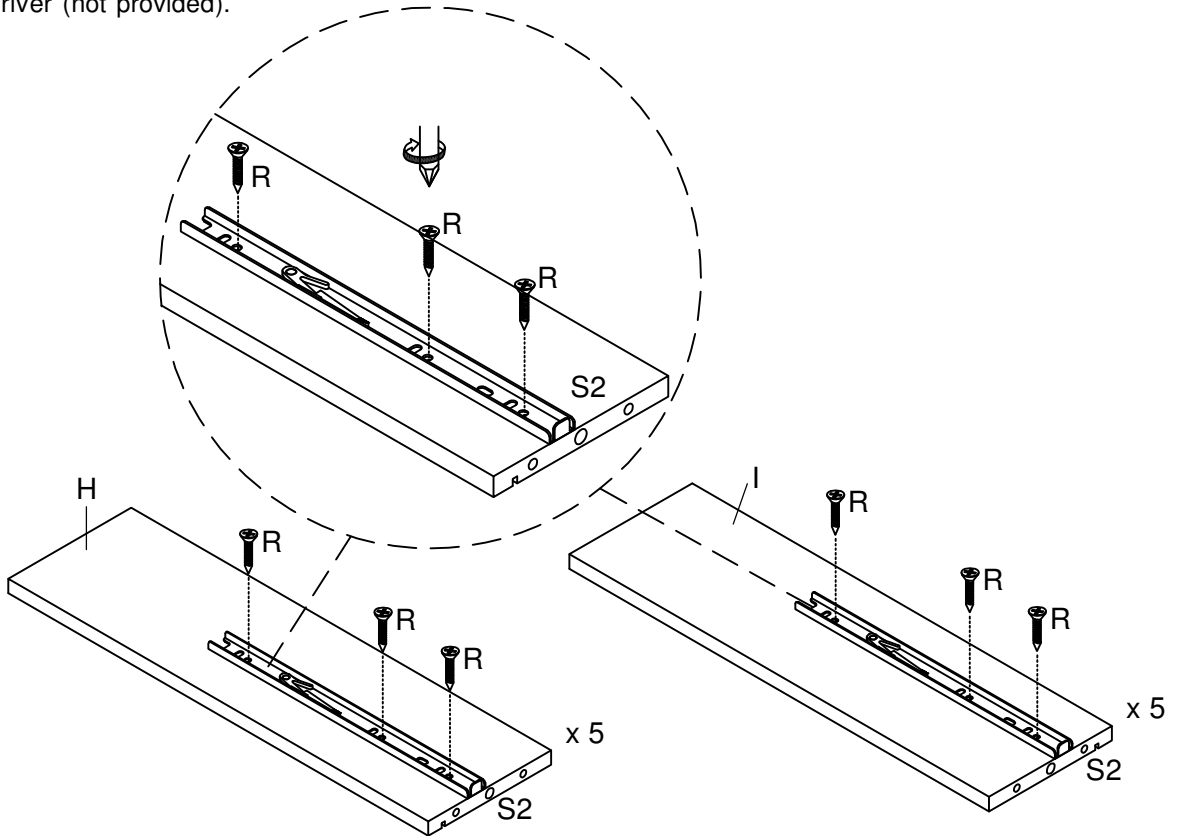
- 10** Put the Back Panel (M) to the gap of Plastic Strip (X) as shown. Direction of the side with colored paper must be the same.



11 Attach the Back Panel (M) to the assembled unit using Panhead Screw (Y) with screwdriver (not provided).

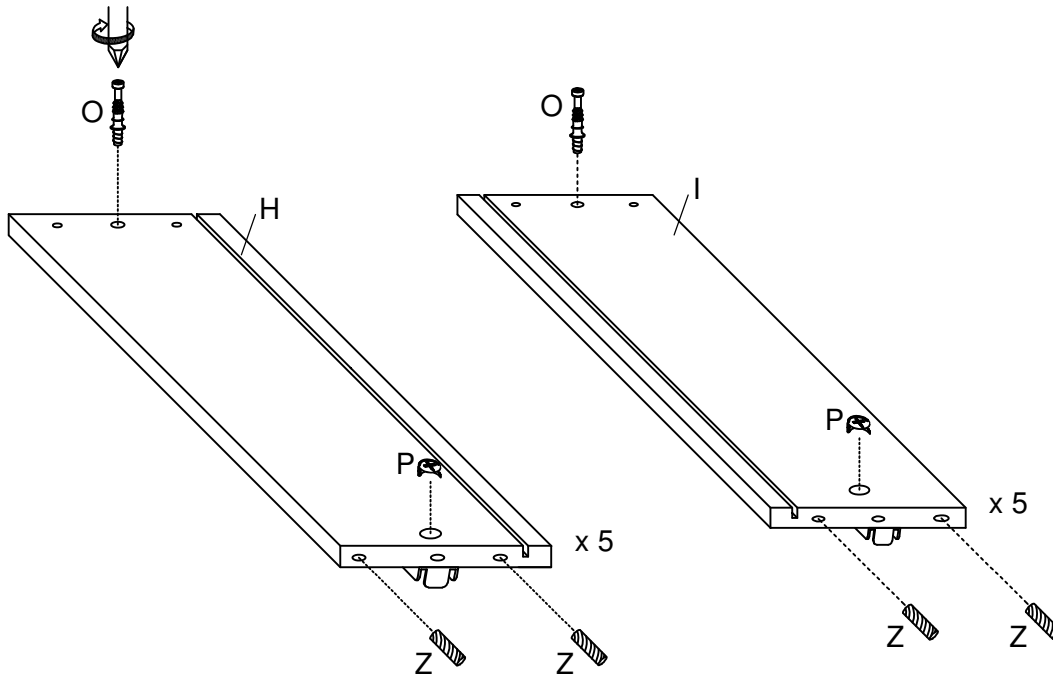


12 Attach the Drawer Slide (S2) to the Drawer Left & Right Side Panel (H & I) using Csk Screw (R) with screwdriver (not provided).



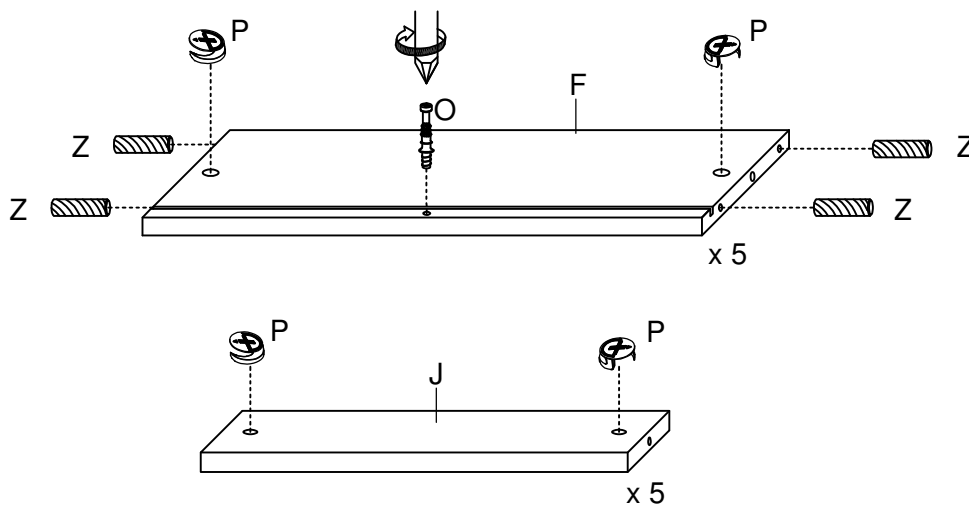
- 13** Insert Minifix Cam Bolt (O), Minifix Cam Lock (P) and Wood Dowel (Z) to Drawer Left & Right Side Panel (H & I) as shown.

NOTE : - Make sure arrows on each Minifix Cam Lock (P) points towards nearest edge with holes.

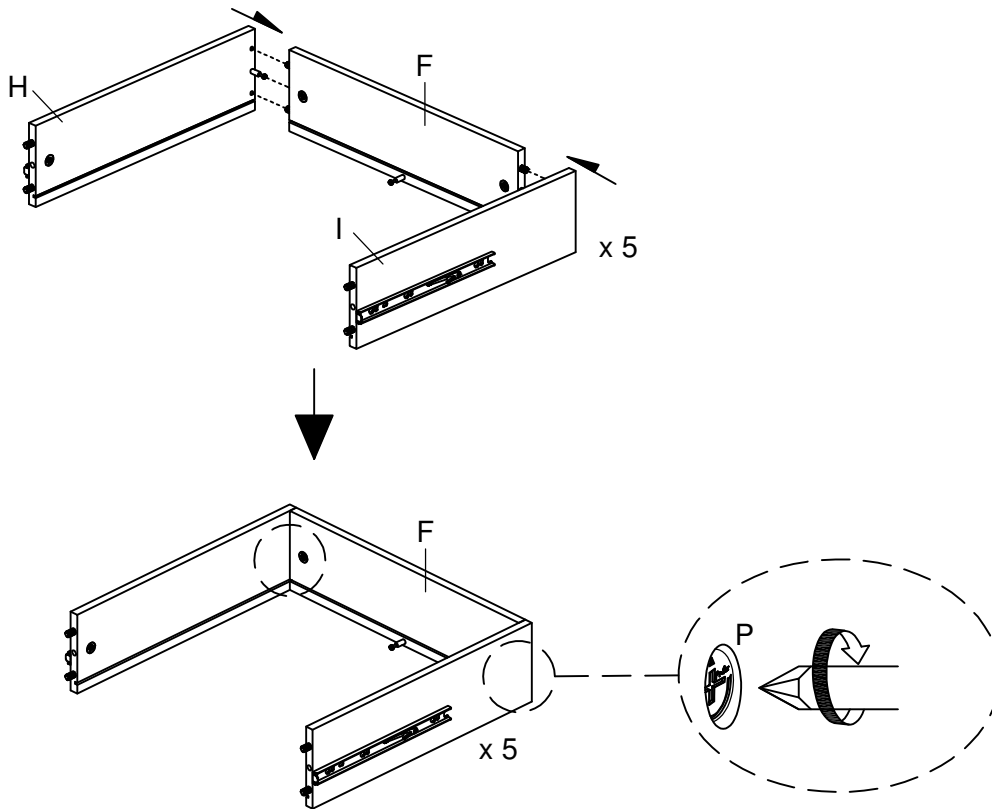


- 14** Insert Minifix Cam Bolt (O), Cam Lock (P) and Wood Dowel (Z) into the Drawer Back Panel (F) with screwdriver (not provided). Then insert Minifix Cam Lock (P) into the Drawer Bottom Support Rail (J) as shown.

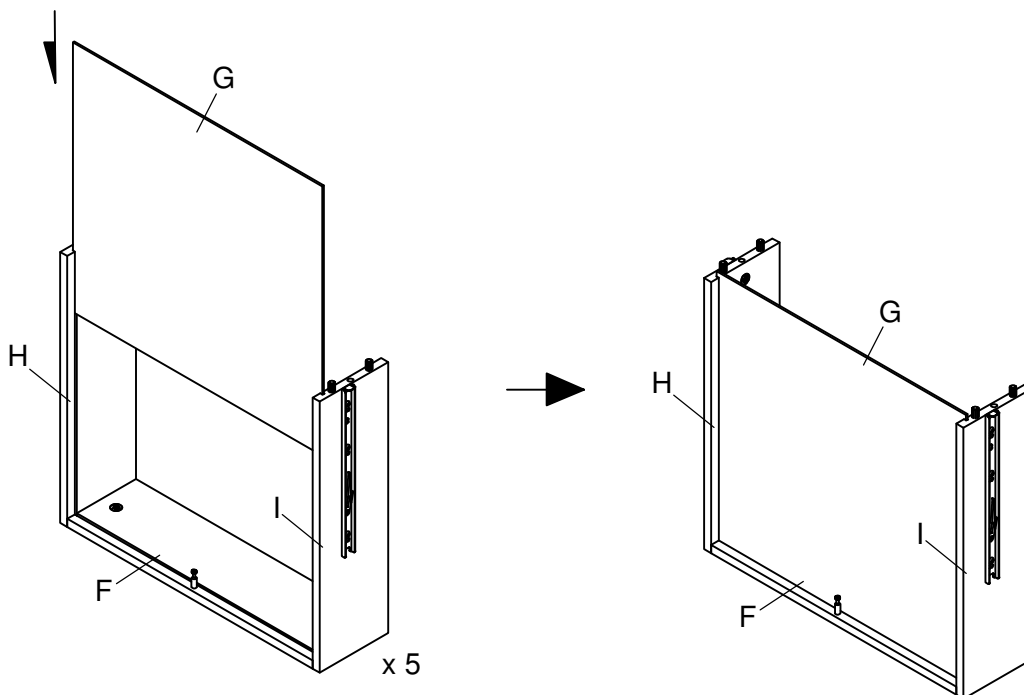
NOTE : - Make sure arrows on each Minifix Cam Lock (P) points towards nearest edge with holes.



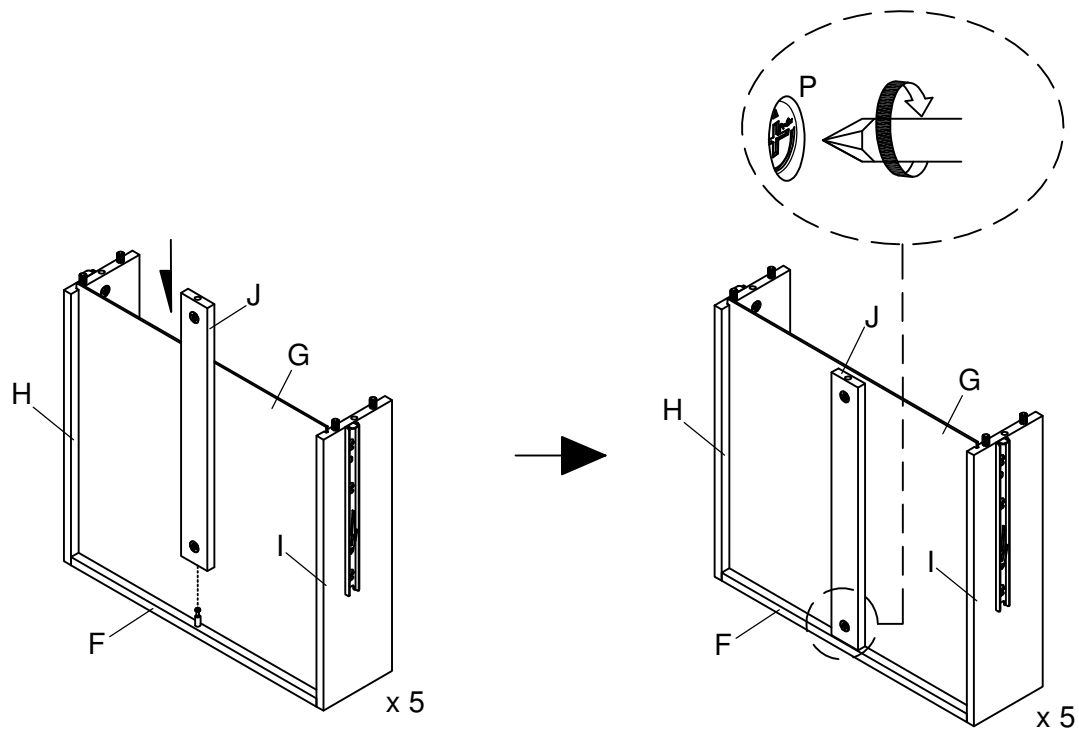
- 15** Attach the Drawer Left & Right Side Panel (H & I) to the Drawer Back Panel (F) and tighten the Minifix Cam Lock (P) with screwdriver (not provided).



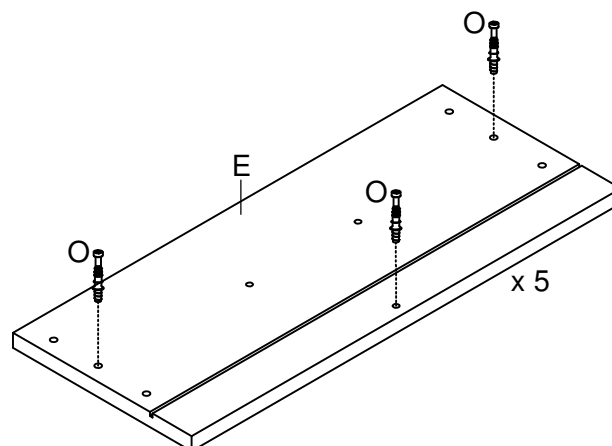
- 16** Put the Drawer Bottom Panel (G) into the gap of the Drawer Left & Right Side Panel (H & I) and Drawer Back Panel (F) as shown.



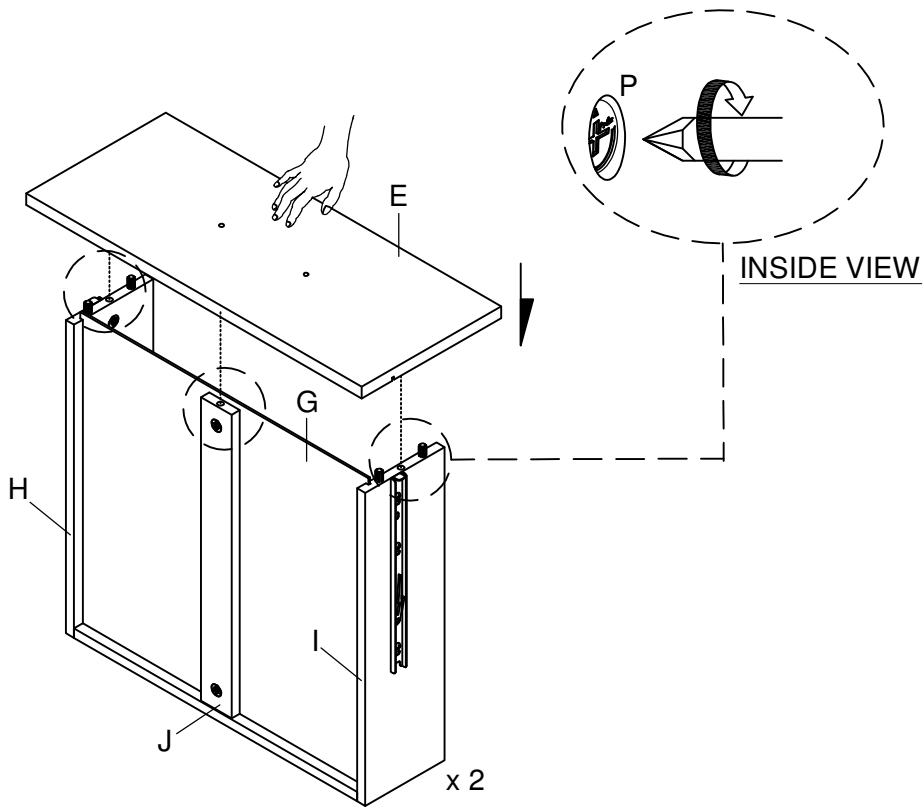
- 17** Attach the Drawer Bottom Support Rail (J) to the Drawer Back Panel (F) and tighten the Minifix Cam Lock (P) with screwdriver (not provided).



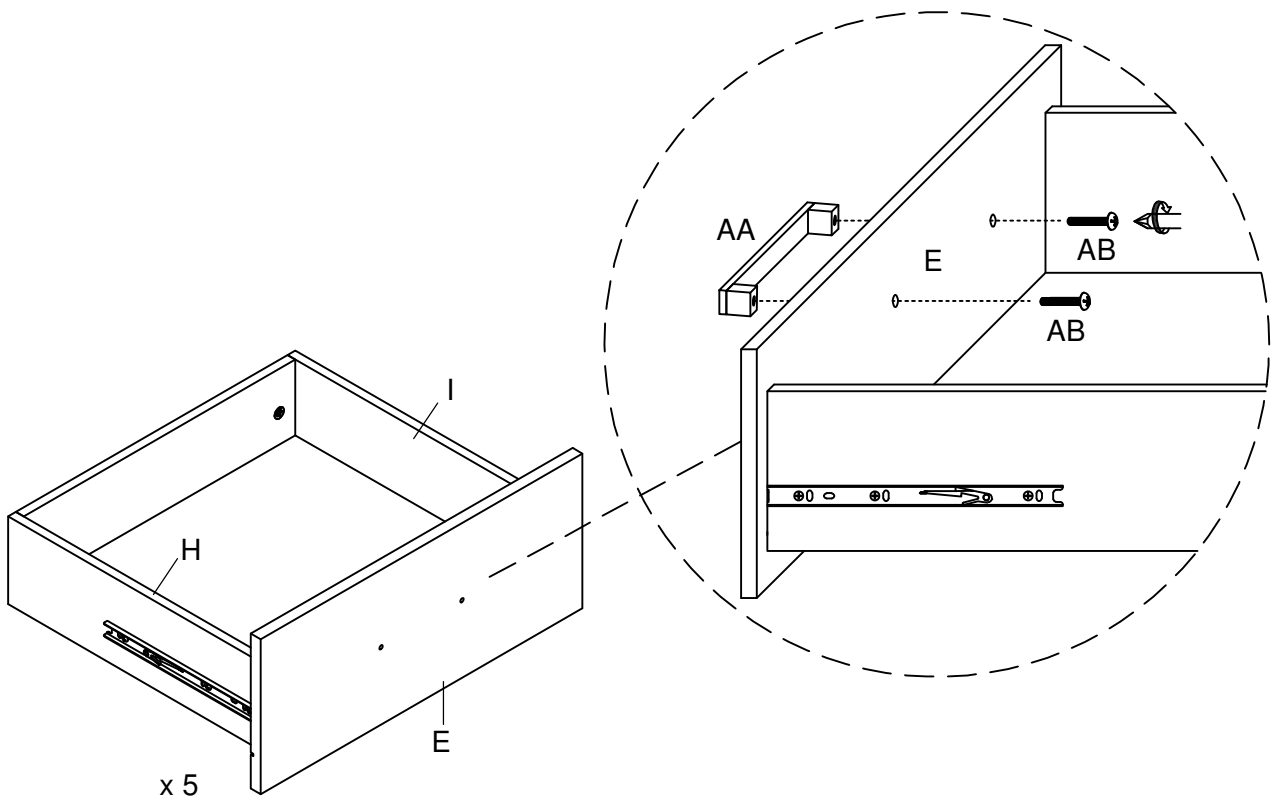
- 18** Insert Minifix Cam Bolt (O) into the Drawer Front (E) with screwdriver (not provided).



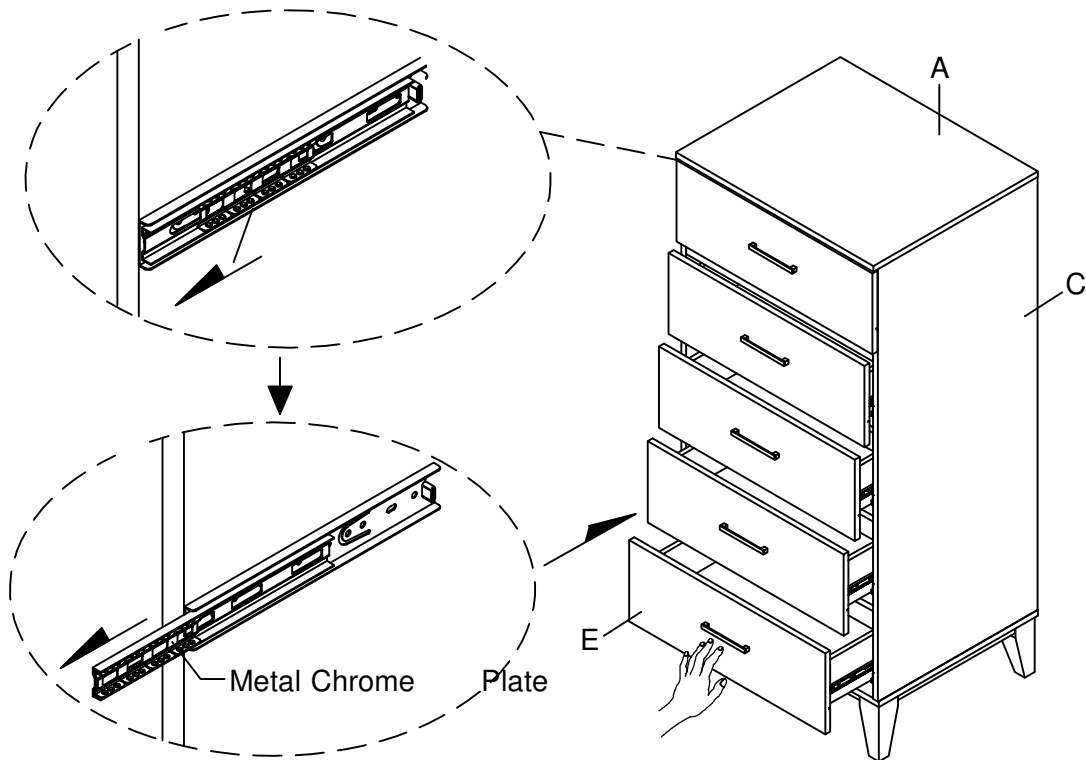
19 Attach the Drawer Front (E) to the drawer frame and tighten the Minifix Cam Lock (P) with screwdriver (not provided).



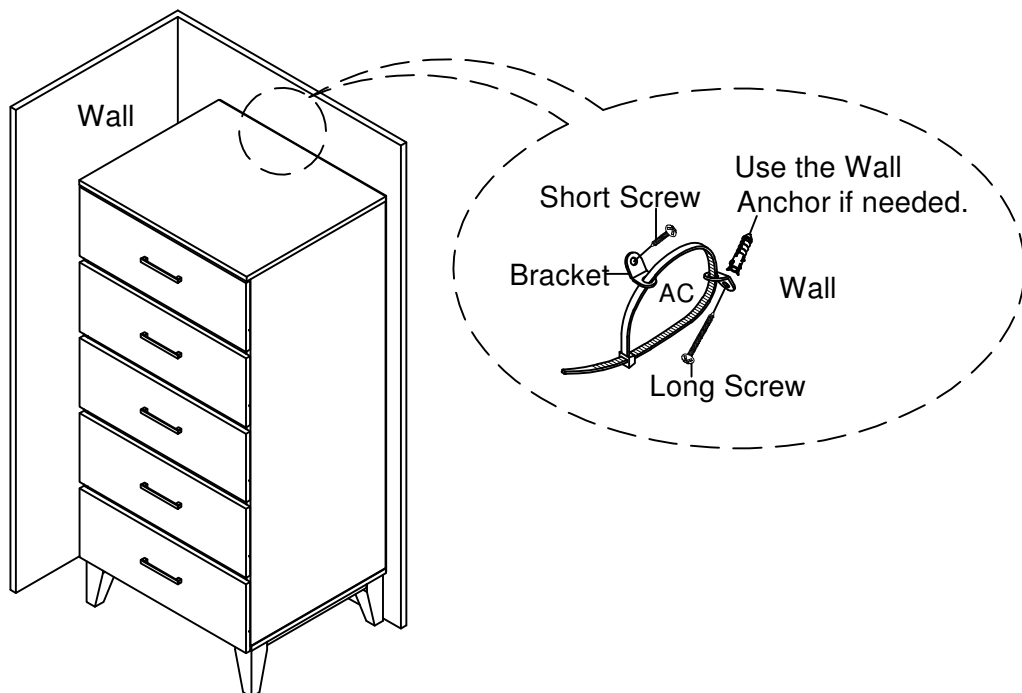
20 Attach the Handle (AA) to the Drawer Front (E) using Truss M-Screw (AB) with screwdriver (not provided).



- 21** Slide out the bearing and align the position then push the 5 pieces drawers to inside exactly by your hand as shown.



- 22** Attach Anti-Tipping Kit (AC) to wall. Attach bracket (vertically) to wall using the long screw provided. Attach bracket (vertically) to furniture back (directly below top) with short screw. Place bracket as close to center of furniture back as possible in relation to wall stud and the desired position in the room. Move furniture to its final position. Thread the strap through bracket, and pull it tight.



Cleaning & Care

Treat surfaces with care. Surfaces are resistant to scratches but are not scratch resistant. Clean surfaces with a dry or damp soft cloth. Do not use abrasive cleaners. Hardware may loosen over time. Periodically check that all connections are tight.