





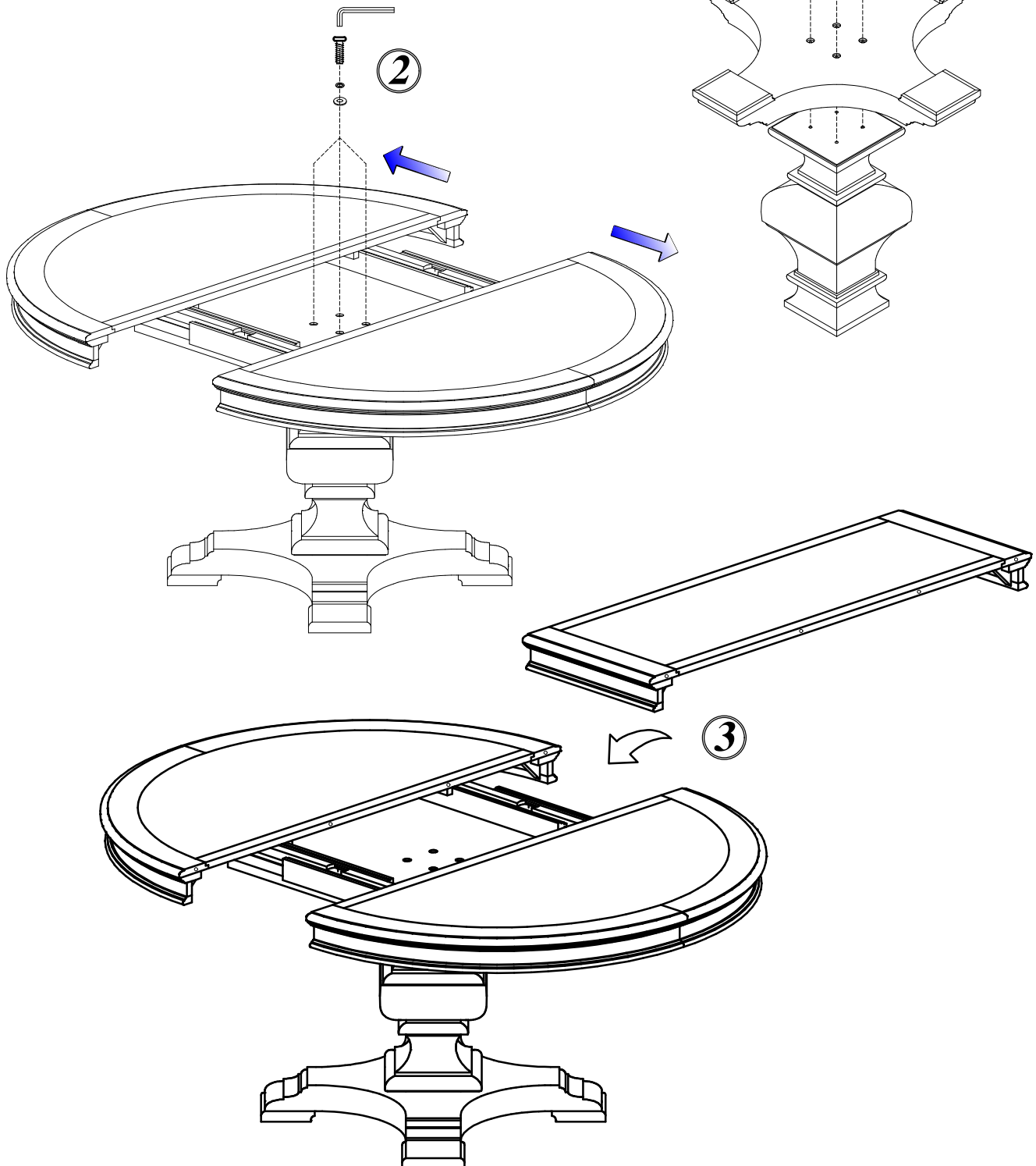
HEKMAN

A HOWARD MILLER COMPANY

ASSEMBLY INSTRUCTIONS

25421 - ROUND DINING TABLE

NO.	Hardware List		Q'ty
A		Bolt 5/16" * 45mm L	8
B		Lock Washer 5/16" Dia	8
C		Flat Washer 5/16" Dia	8
D		Wrench 3/16" Dia*4-3/4" L	1



MADE IN INDONESIA