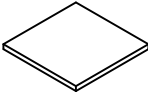
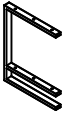

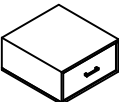







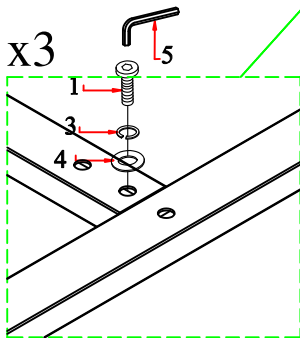
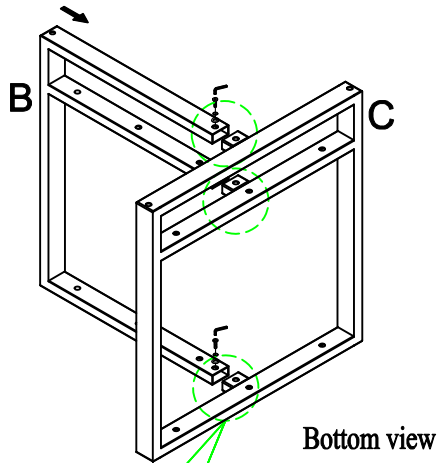
Thank you for purchasing this quality product. Be sure to check all packing material carefully for small parts that may have come loose inside the carton during shipment.

PART LIST			
NO.	Description	Sketch	Q'ty
A	Top Panel		1PC
B	Rear Frame		1PC
C	Front Frame		1PC
D	Cabinet With Drawer		1PC

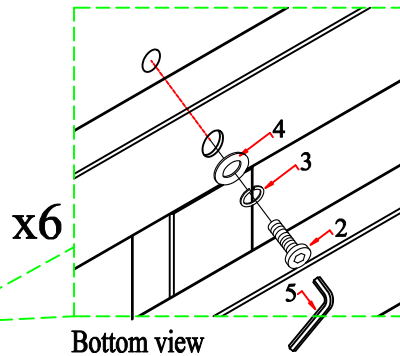
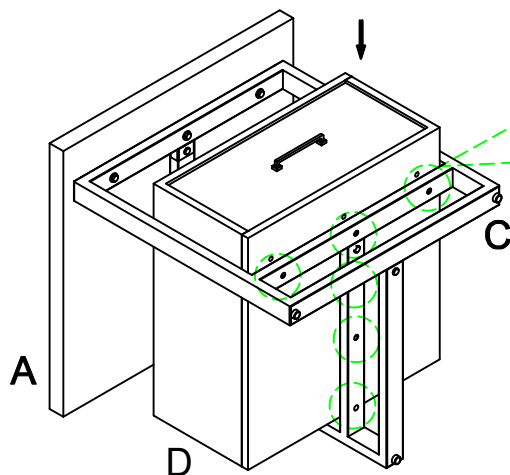
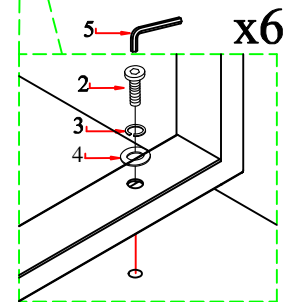
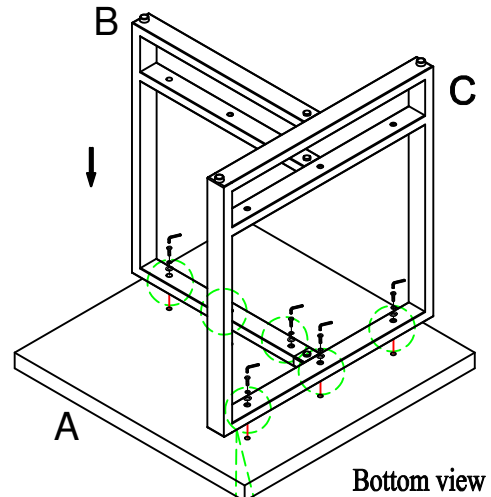
HARDWARE PACK (PUT IN 5415RF-04 CARTON)				
NO.	Description	Sketch	Size	Q'ty
1	BOLT		1/4"-20 x 3/4"	3 PCS
2	BOLT		1/4"-20 x 1-3/8"	12 PCS
3	SPRING WASHER		1/4"ID x 2/5"OD x 0.062"Tk	15 PCS
4	FLAT WASHER		9/32"ID x 5/8"OD x 0.080"Tk	15 PCS
5	ALLEN KEY		1/6"	1 PC

ASSEMBLY INSTRUCTION

Step 1

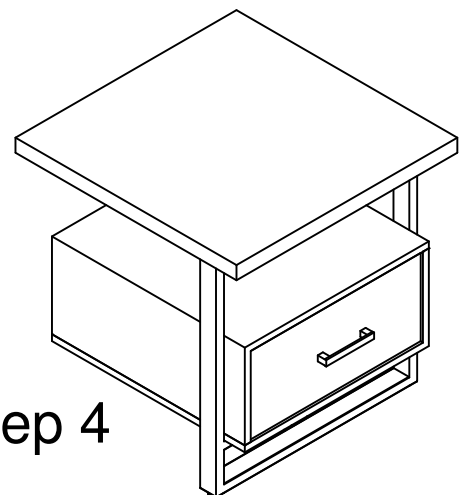


Step 2



Step 3

Step 4



It is recommended to install protective pads under all legs and supports to avoid damage or scratches when placing furniture on a wood floor or other hard surface, and to limit indentation and prevent discoloration if placing on carpet.



Il est recommandé de placer des coussins protecteurs sous tous les pieds et toutes les bases des meubles pour éviter d'endommager ou d'égratigner les planchers en bois ou autres surfaces dures, et pour limiter l'empreinte et empêcher la décoloration quand les meubles reposent sur la moquette.