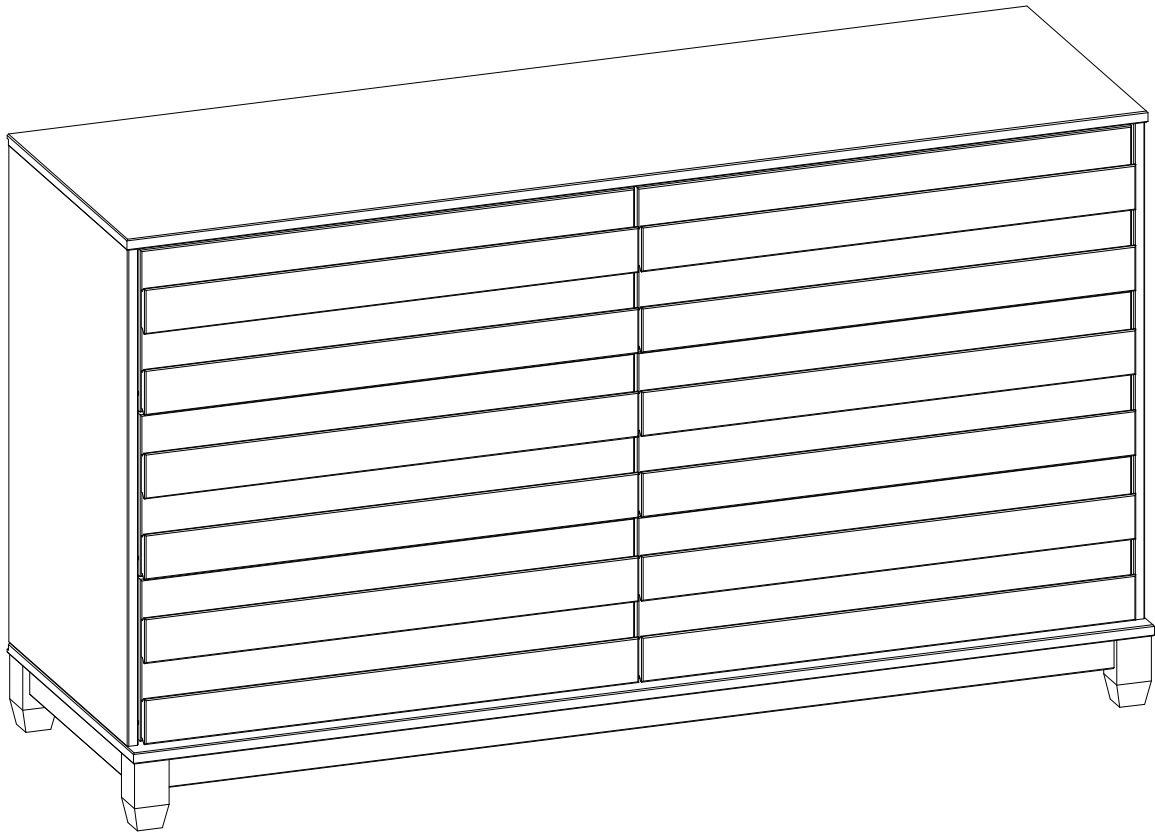


# Item: BR6DPRIDR-T

## Assembly Instructions

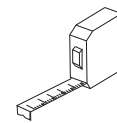
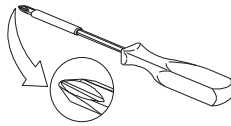
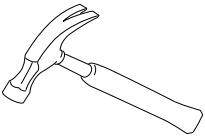


Please visit our website for the most current instructions, assembly tips, to report damage or request parts. [www.walkeredison.com](http://www.walkeredison.com)

Revised 11/2023-V1

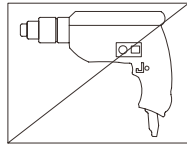
# General assembly guidelines

- I. Ensure that all parts and hardware are available before beginning assembly.
- II. Follow each step carefully to ensure the proper assembly of this product.
- III. Two people are recommended for ease in the assembly of this product.
- IV. The three main types of hardware used to assemble this product are wood dowels, screws and bolts.
- V. A Phillips head screwdriver, hammer and tape measure is required for the assembly of this product.



Tape measure

- VI. Power tools should not be used to assemble this product.



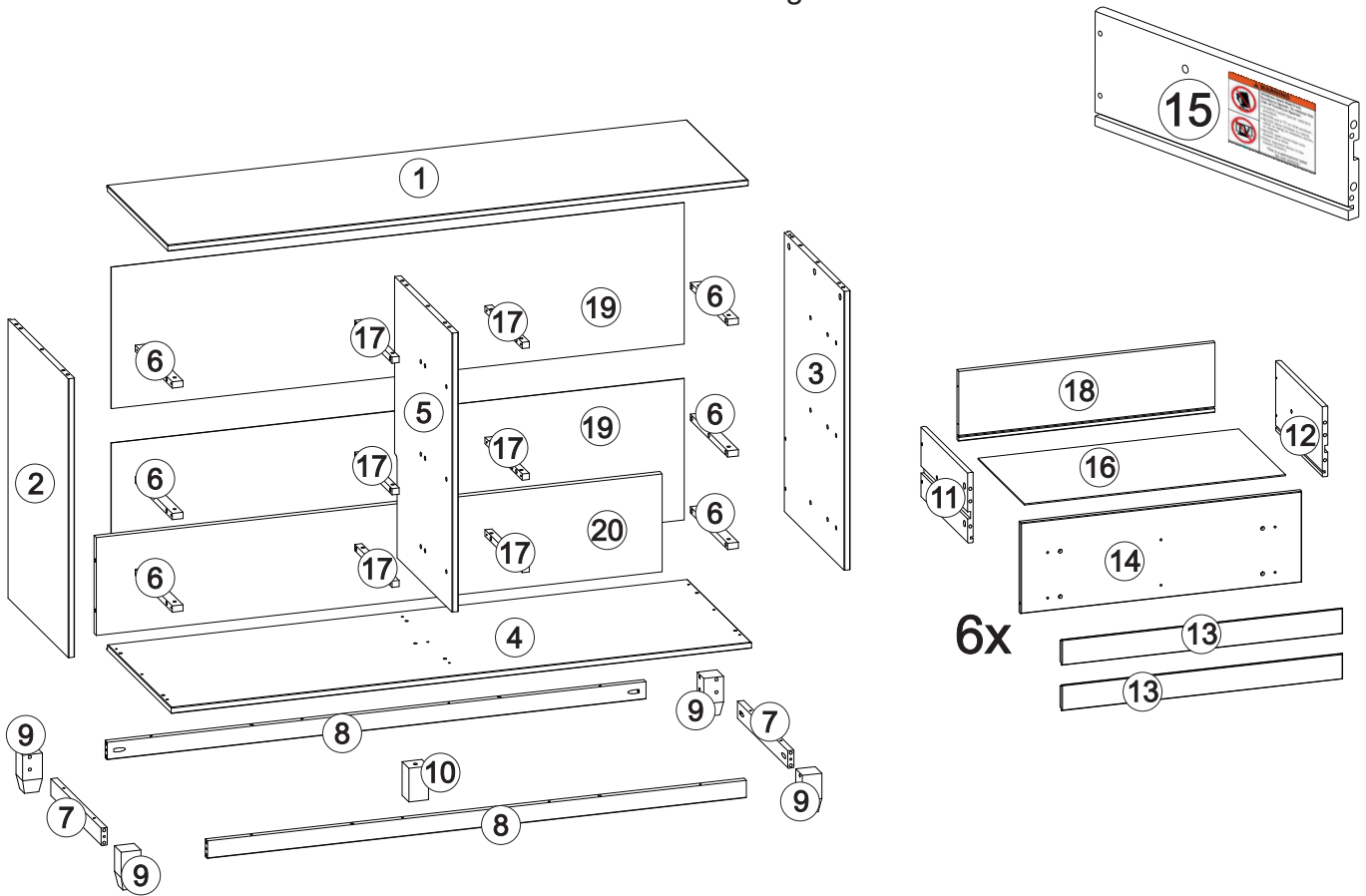
## VII. Maintenance Guide

To maintain long term performance and easy gliding of your solid wood drawers, we recommend applying wax to the wooden guide rails.

1. Bee's wax is recommended or Paraffin wax from a standard candle can be used.
2. Apply the wax by rubbing it on the wooden guide rails where there is wood-on-wood contact when opening and closing the drawer. (Wax should be room temperature, do not melt the wax onto the wood)
3. Wax should be applied every few months for the first year and then only when needed after that to keep the drawers sliding smoothly.

# Parts List

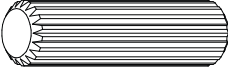





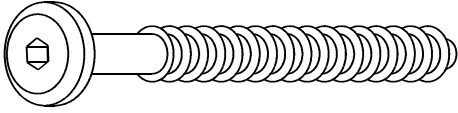
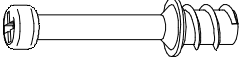
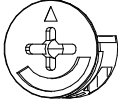





The side drawer with WARNING LABEL, should be mounted in highest drawer.

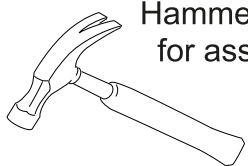


Part #	Description	Qty
1	Top panel	01 pc
2	Left side panel	01 pc
3	Right side panel	01 pc
4	Bottom panel	01 pc
5	Division	01 pc
6	Large wood slider	06 pcs
7	Bottom side rail	02 pcs
8	Bottom front rail	02 pcs
9	Foot	04 pcs
10	Central foot	01 pc

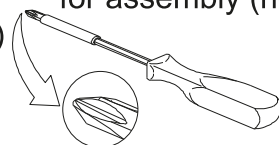
Part #	Description	Qty
11	Left drawer side	06 pcs
12	Right drawer side	05 pcs
13	Drawer handle	12 pcs
14	Drawer front	06 pcs
15	Right drawer side with warning	01 pc
16	Drawer bottom	06 pcs
17	Wood slider	06 pcs
18	Drawer back	06 pcs
19	Back panel	02 pcs
20	Back rail	01 pc

# Hardware List

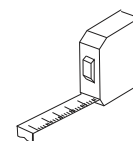
A		Ø8*30mm	Wooden dowel	44 pcs
B		Ø10*20mm	Wooden dowel	60 pcs
C		Ø4*25mm	Screw	72 pcs
D		Ø3,5*30mm	Screw	24 pcs
E		Ø4,0*40mm	Screw	30 pcs
F		10*7	Nail	32 pcs
G		Ø7*60mm	Screw	01 pc
H		Ø6*31mm	Cam bolt	33 pcs
I		Ø15*11mm	Cam lock	33 pcs
K		4mm	Hex Key	01 pc
L			Wall anchor	01 pc
M			Washer	02 pcs
N		Ø4,0*16mm	Screw	01 pc
O		Ø6*35mm	Plastic bush	01 pc



Hammer recommended for assembly (not included)



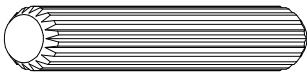
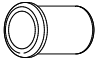
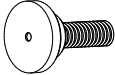
Philips head screwdriver required for assembly (not included)

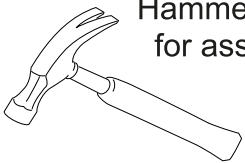


Tape measure required for assembly (not included)

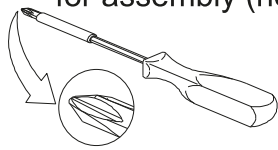
*The hardware quantities listed above are required for proper assembly. Some extra hardware may also have been included.*

# Hardware List

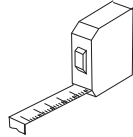
P		Ø8*40mm	Wooden dowel	28 pcs
Q			Threaded foot insert	01 pc
R		Ø1/4*25mm	Threaded leveling foot	01 pc



Hammer recommended for assembly (not included)



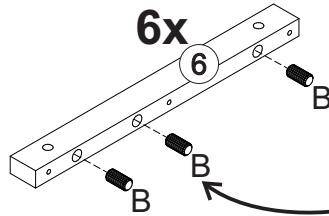
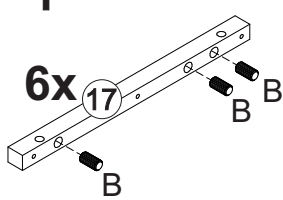
Philips head screwdriver required for assembly (not included)



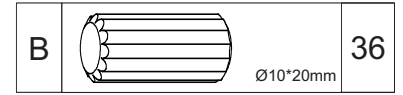
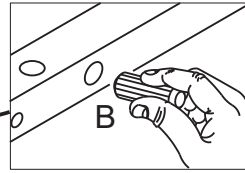
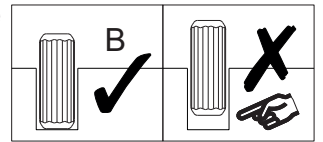
Tape measure required for assembly (not included)

*The hardware quantities listed above are required for proper assembly. Some extra hardware may also have been included.*

# Step 1

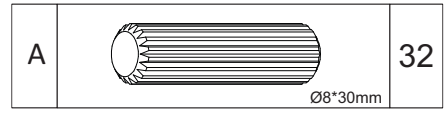
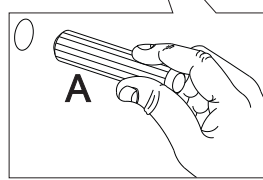
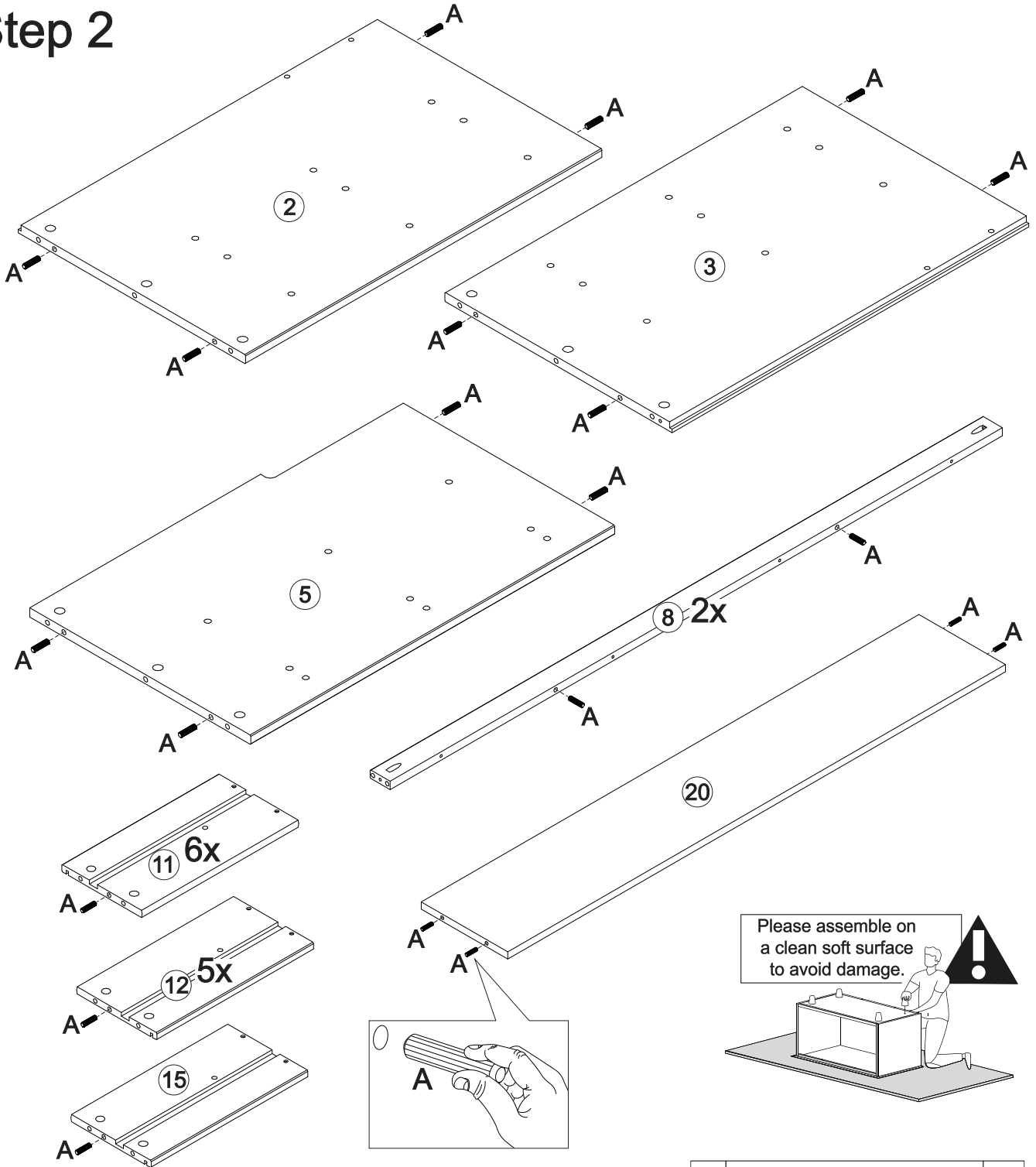


Attention to the  
dowel length:  
Ø10\*20mm



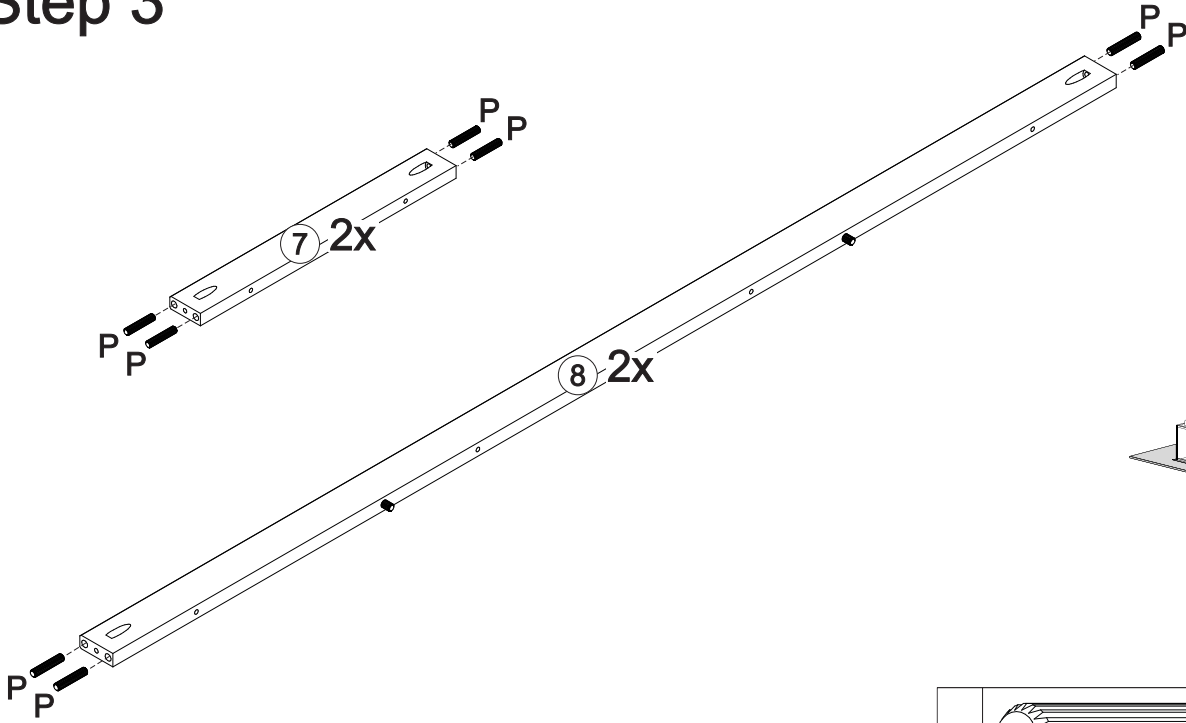
Insert wood dowel (B) into part 6 and 17.

# Step 2

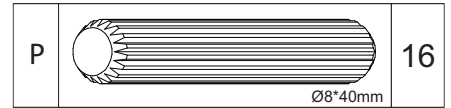


Insert wood dowel (A) into parts 2, 3, 5, 8, 11, 12, 15, and 20.

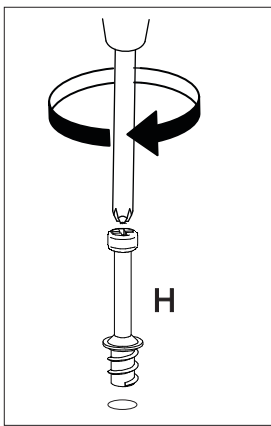
# Step 3



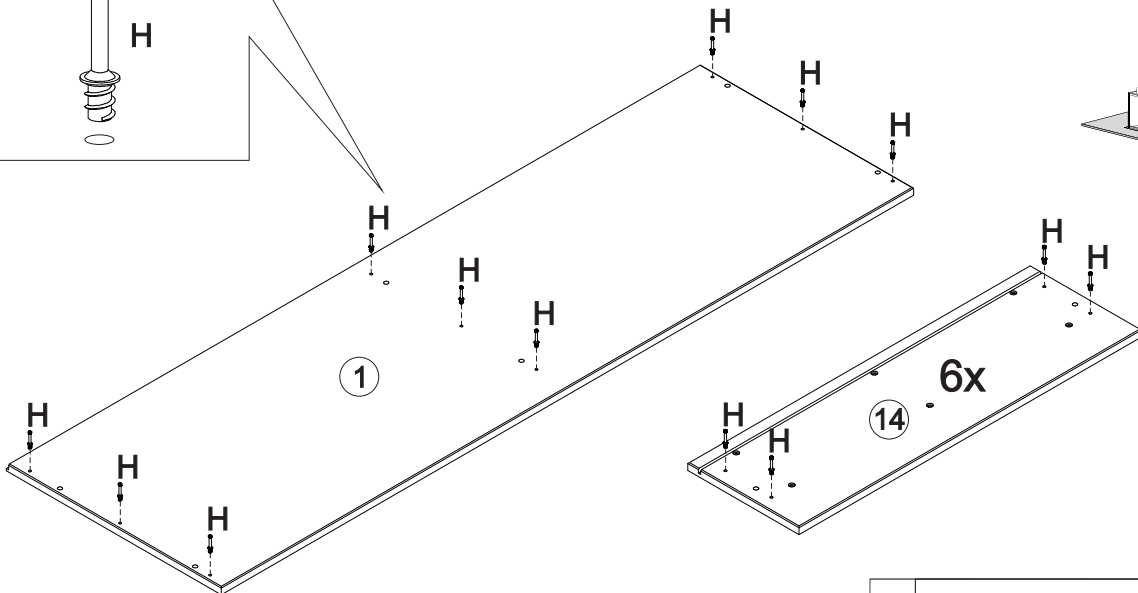
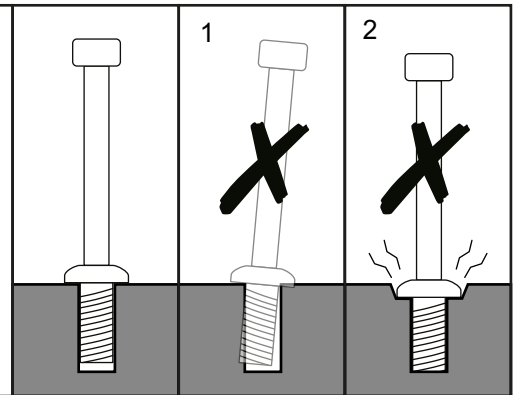
Insert wood dowel (P) into parts 7 and 8.



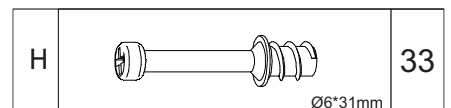
# Step 4



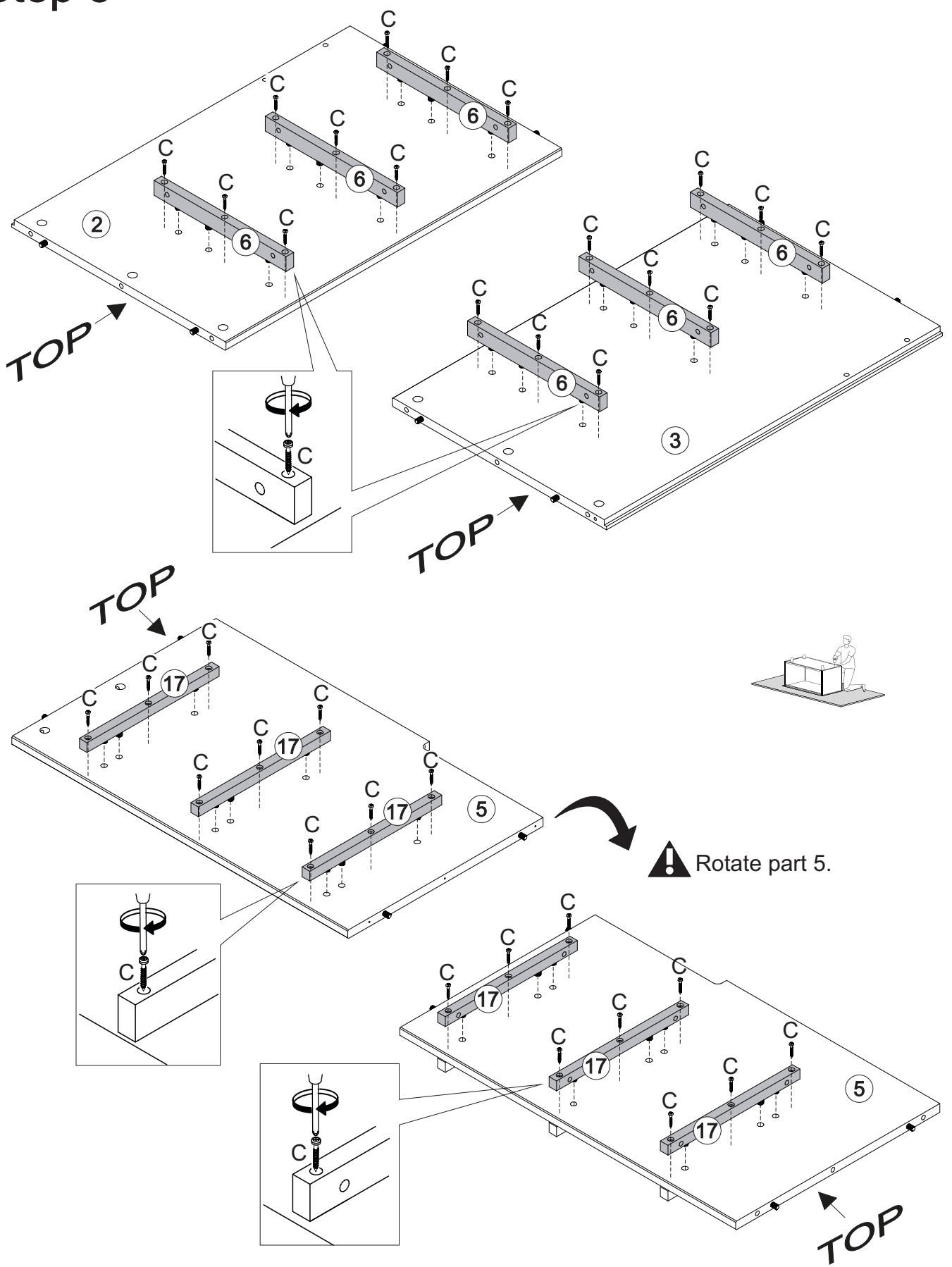
1 - Ensure cam bolt is installed straight and not at an angle.  
 2 - Tighten cam bolt until shoulder on cam bolt is flush. Do not over-tighten.



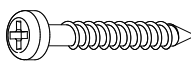
Attach cam bolt (H) into the holes in parts 1 and 14 with Phillips head screwdriver.



# Step 5

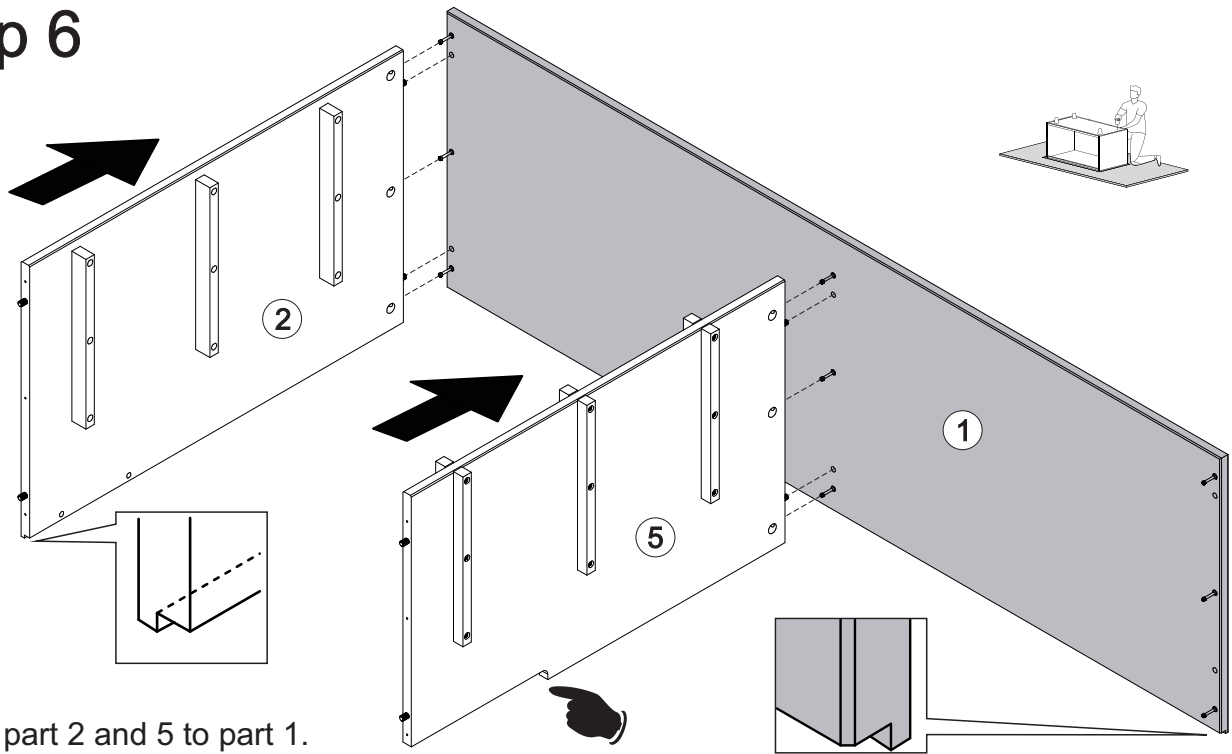


Secure parts 6 to part 2 and 3 with screw (C) and Phillips head screwdriver.  
 Secure parts 17 to part 5 with screw (C) and Phillips head screwdriver.

C		36 Ø4*25mm
---	---	---------------

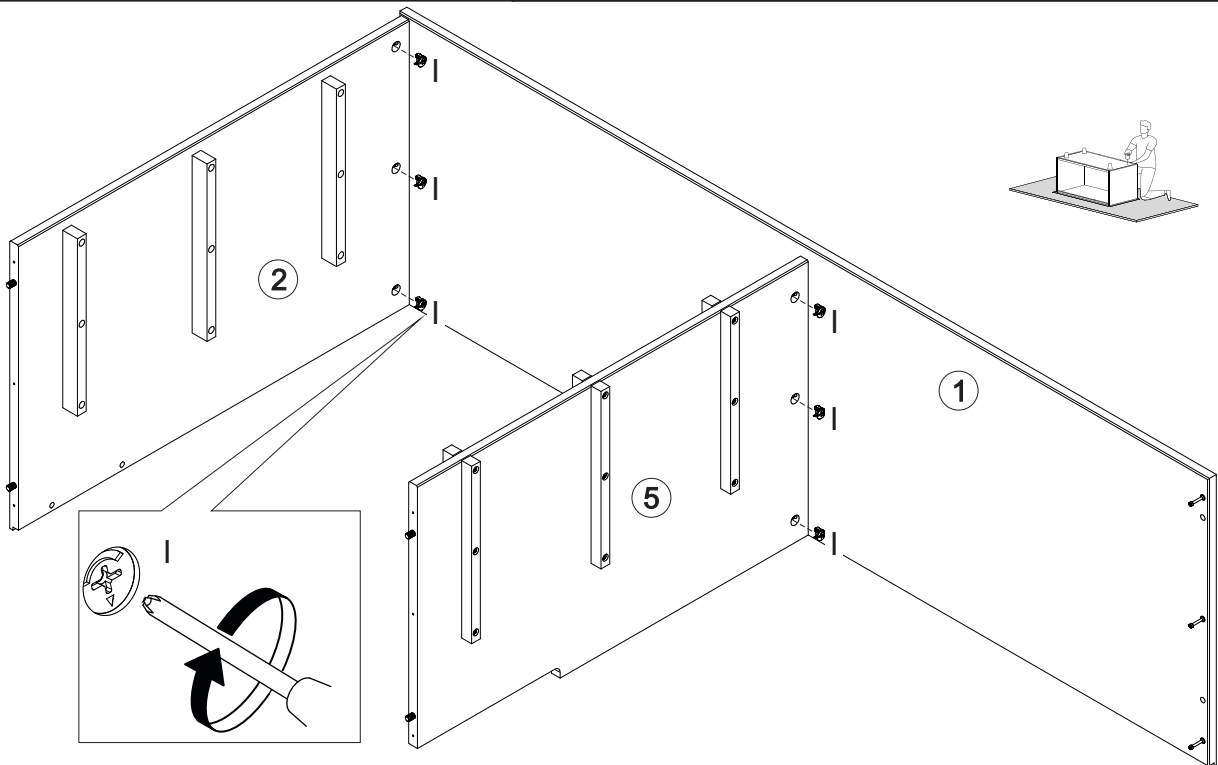
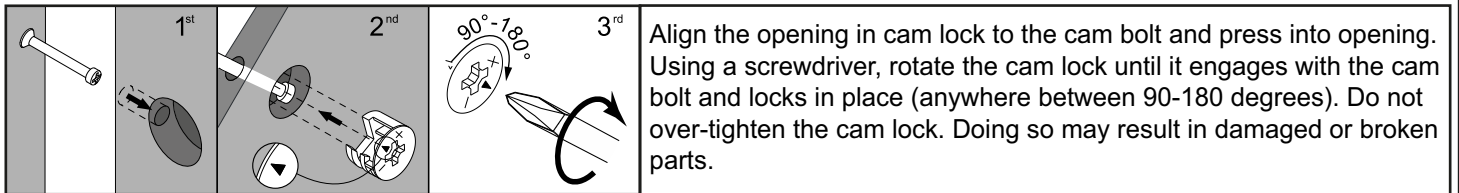


## Step 6

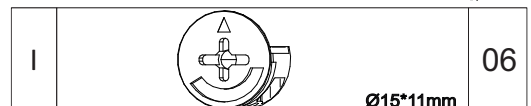


Attach part 2 and 5 to part 1.

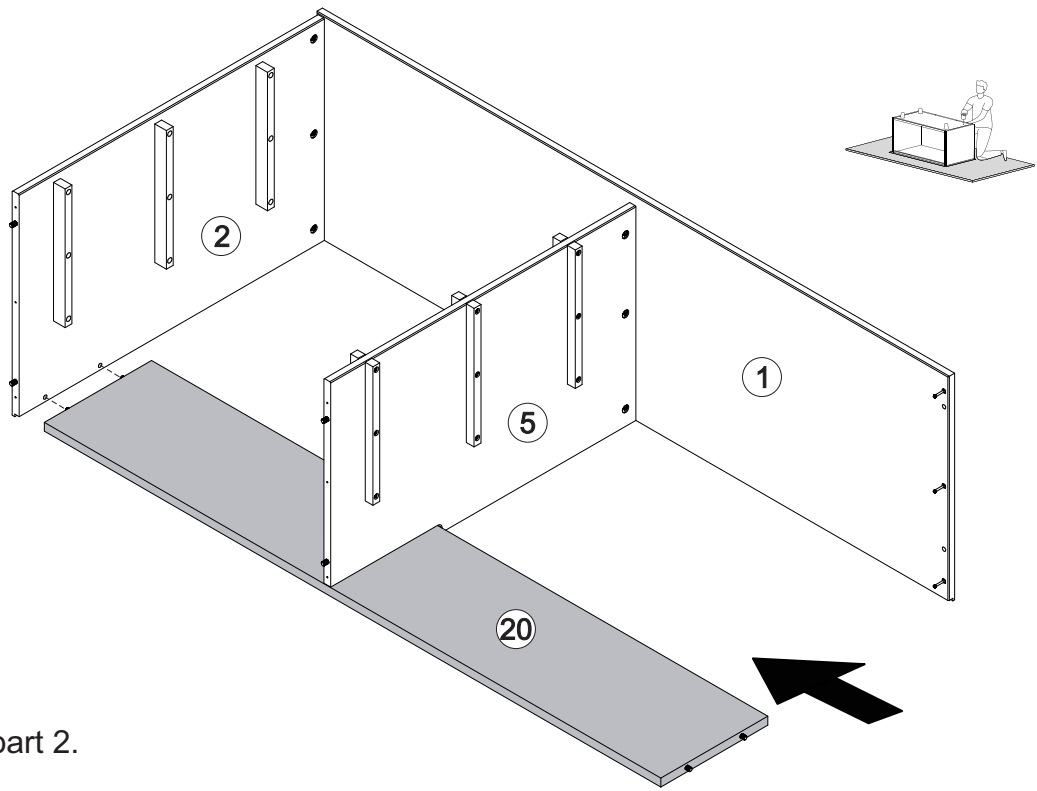
## Step 7



Insert Cam lock (I) in the hole of the part 2 and part 5, and attach with Phillips head screwdriver.

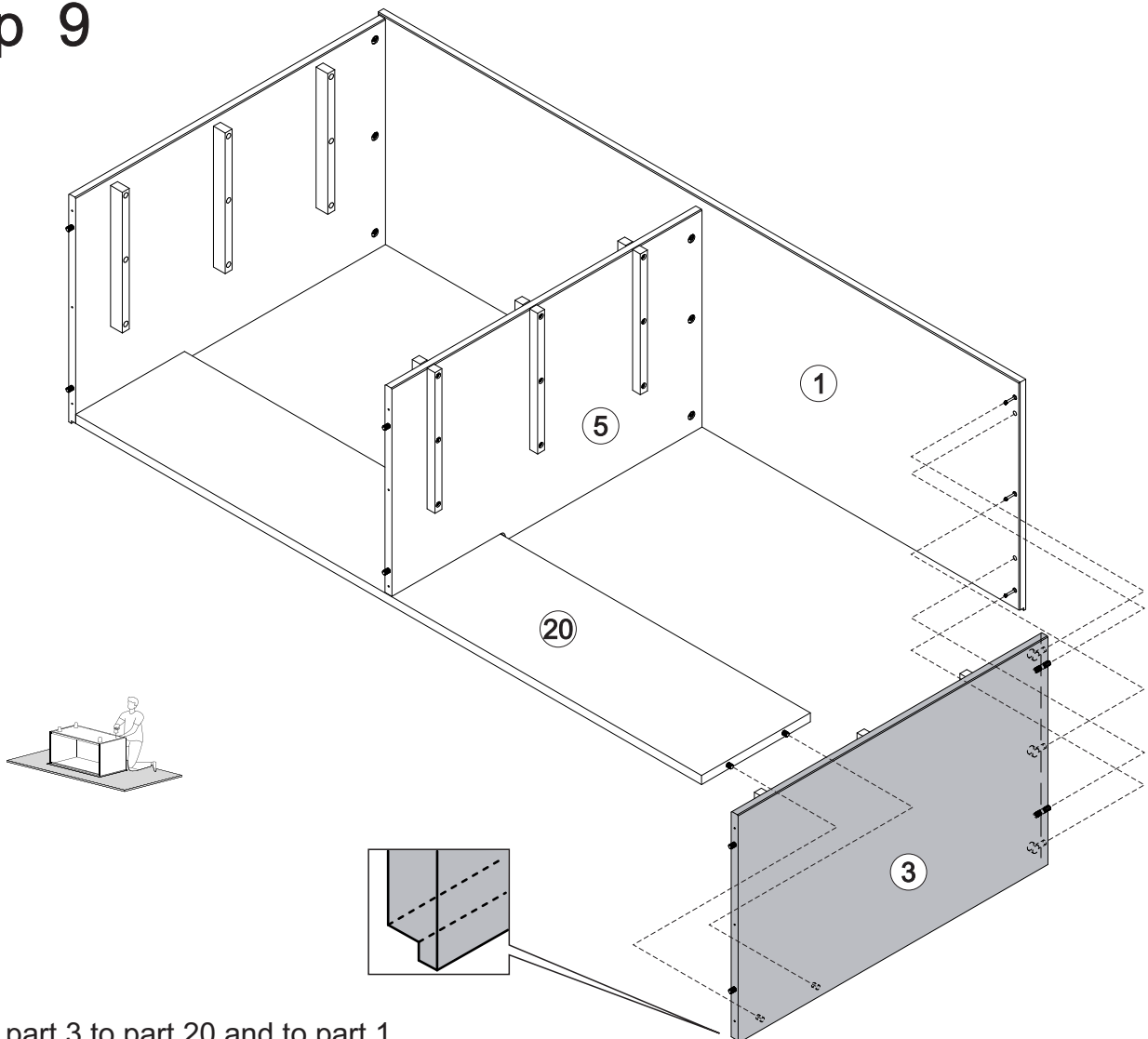


## Step 8



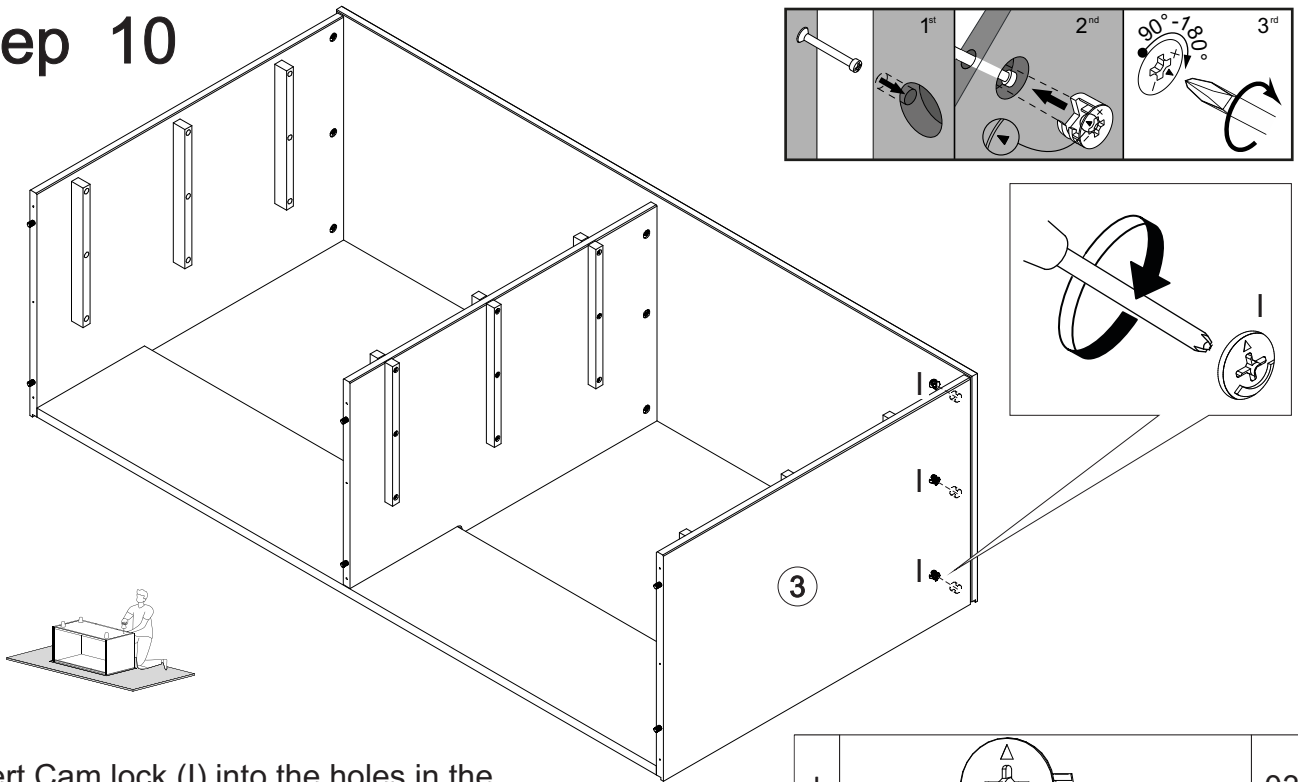
Attach part 20 to part 2.

## Step 9



Attach part 3 to part 20 and to part 1.

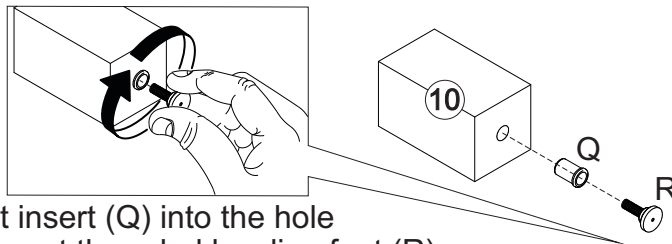
# Step 10



Insert Cam lock (I) into the holes in the part 3, and attach with Phillips head screwdriver.

I		03
$\varnothing 15 \times 11 \text{mm}$		

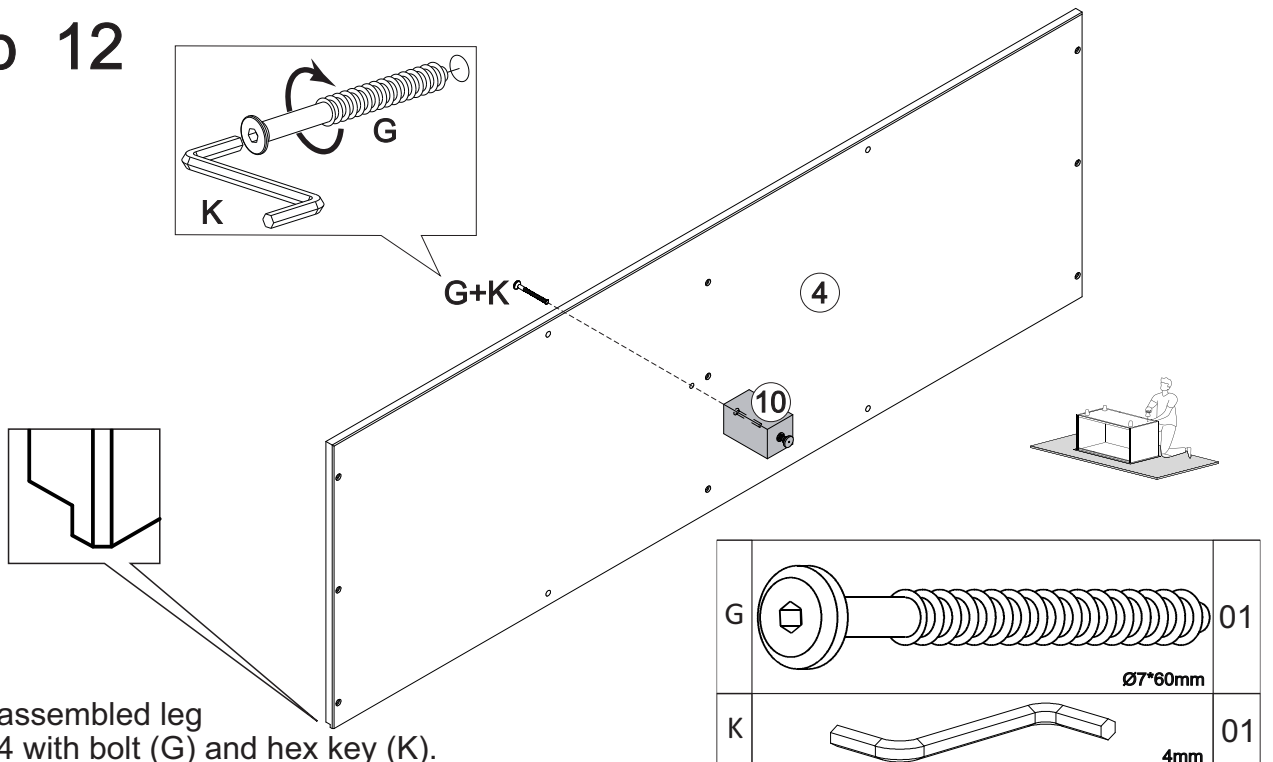
# Step 11



Insert threaded foot insert (Q) into the hole in the part 10 and insert threaded leveling foot (R).

Q		01
R		01
$\varnothing 1/4 \times 25 \text{mm}$		

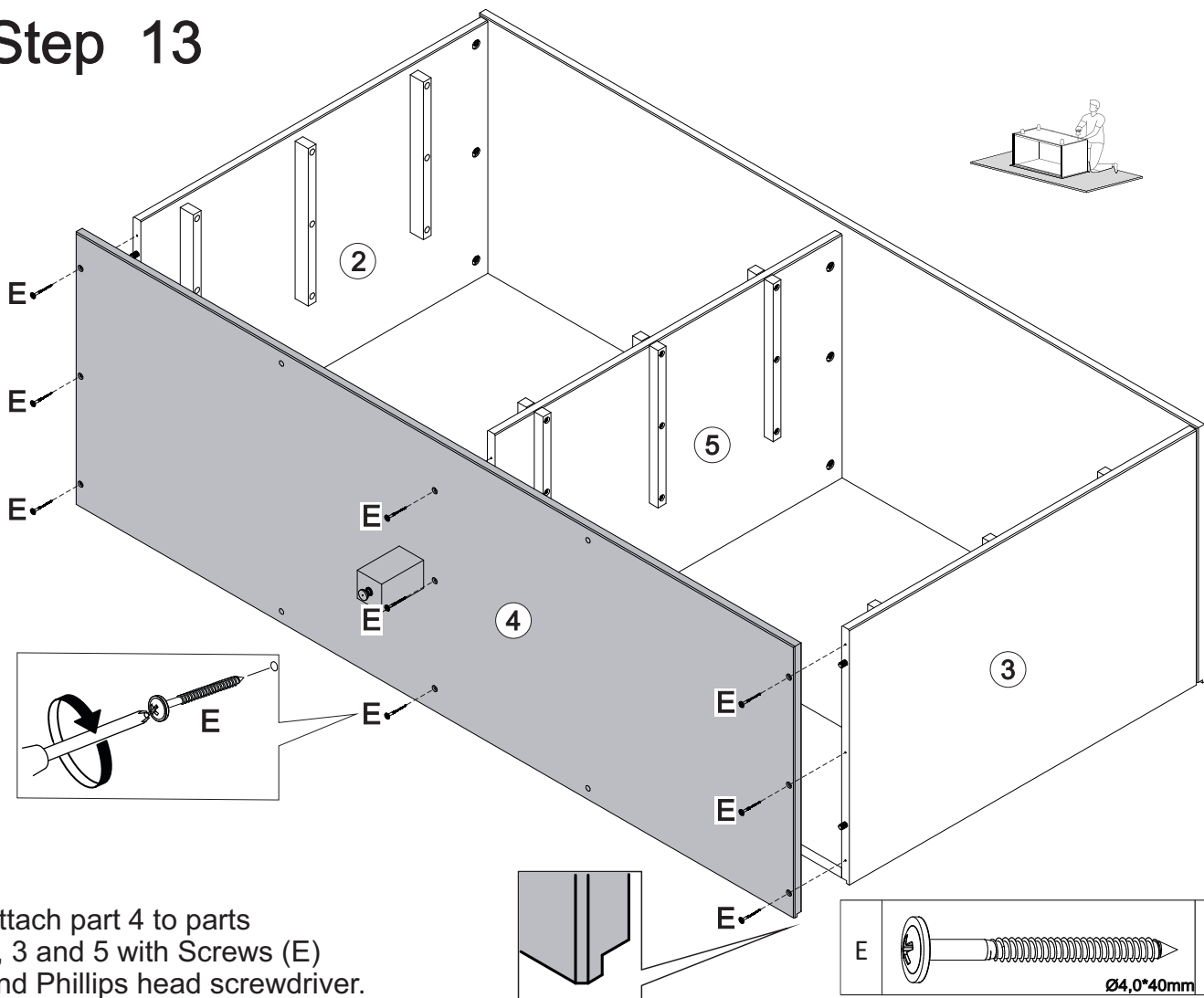
# Step 12



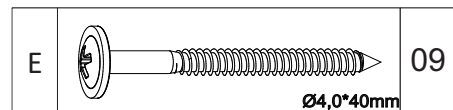
Attach assembled leg to part 4 with bolt (G) and hex key (K).

G		01
$\varnothing 7 \times 60 \text{mm}$		
K		01
$4 \text{mm}$		

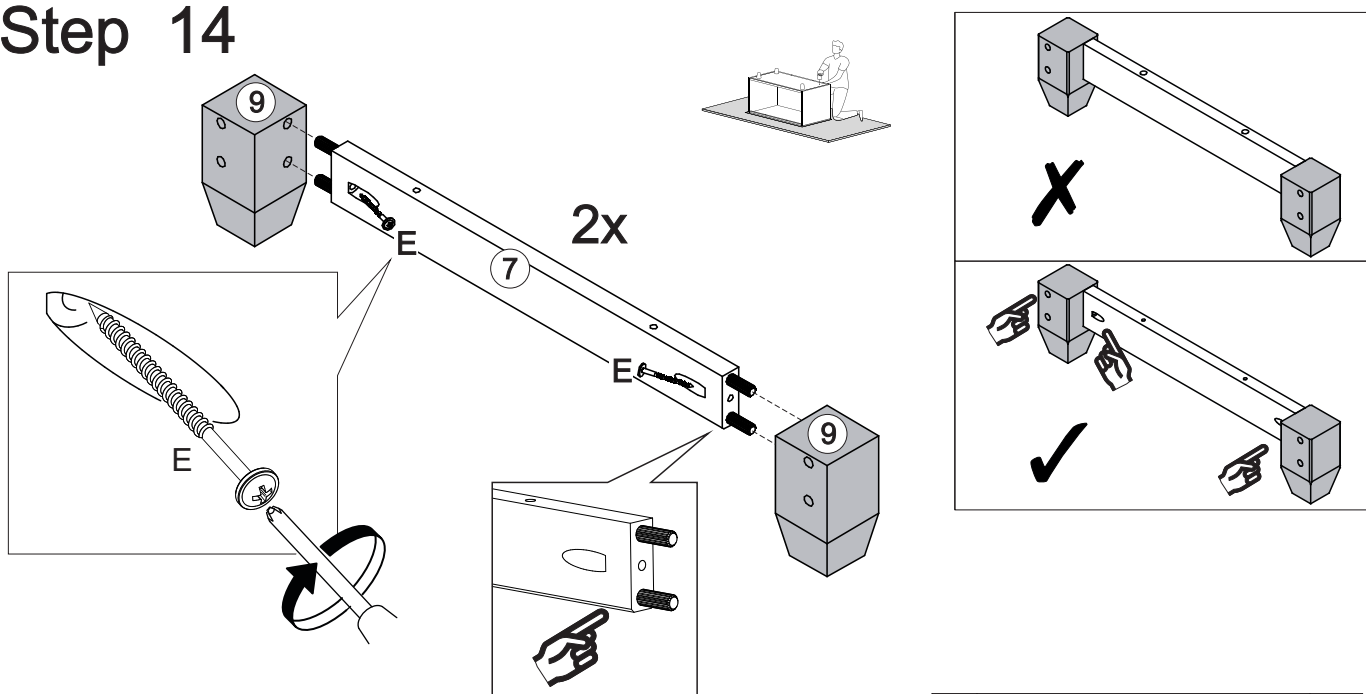
# Step 13



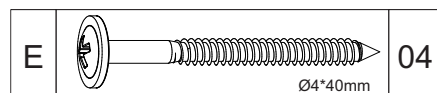
Attach part 4 to parts 2, 3 and 5 with Screws (E) and Phillips head screwdriver.



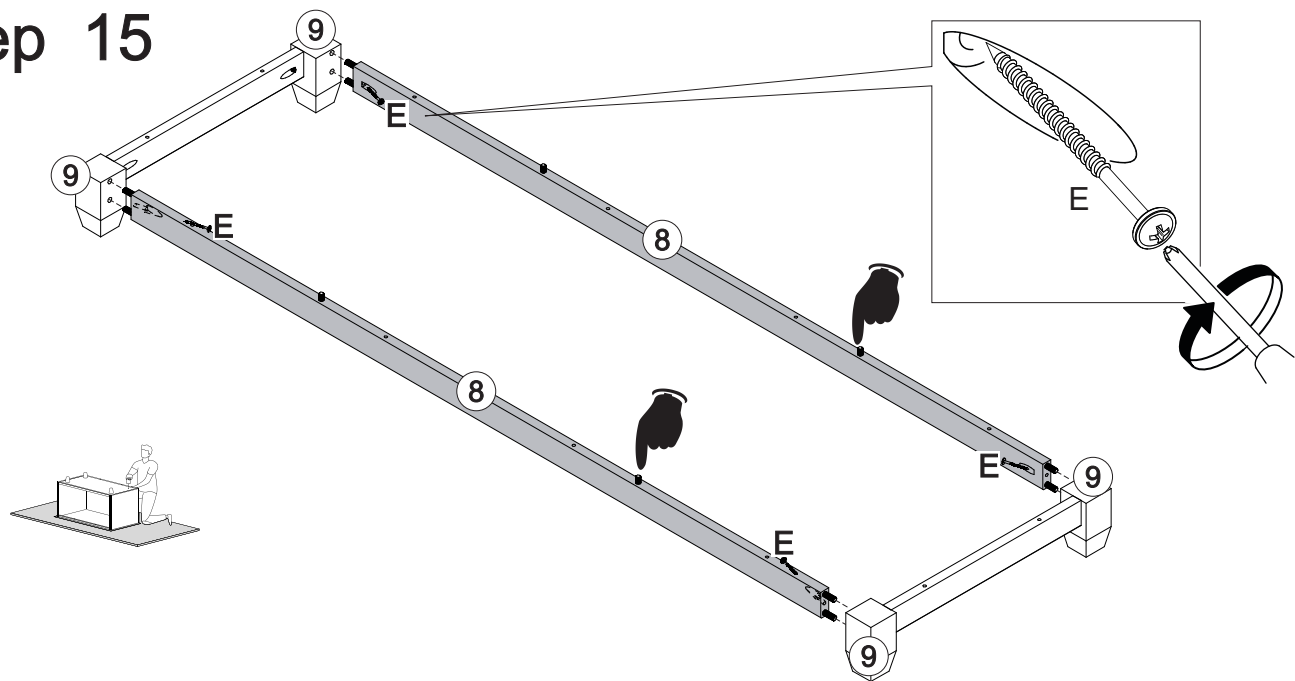
# Step 14



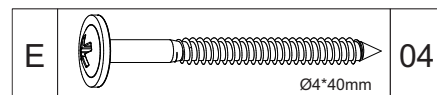
Attach part 7 to parts 9 with Screws (E) and Phillips head screwdriver.



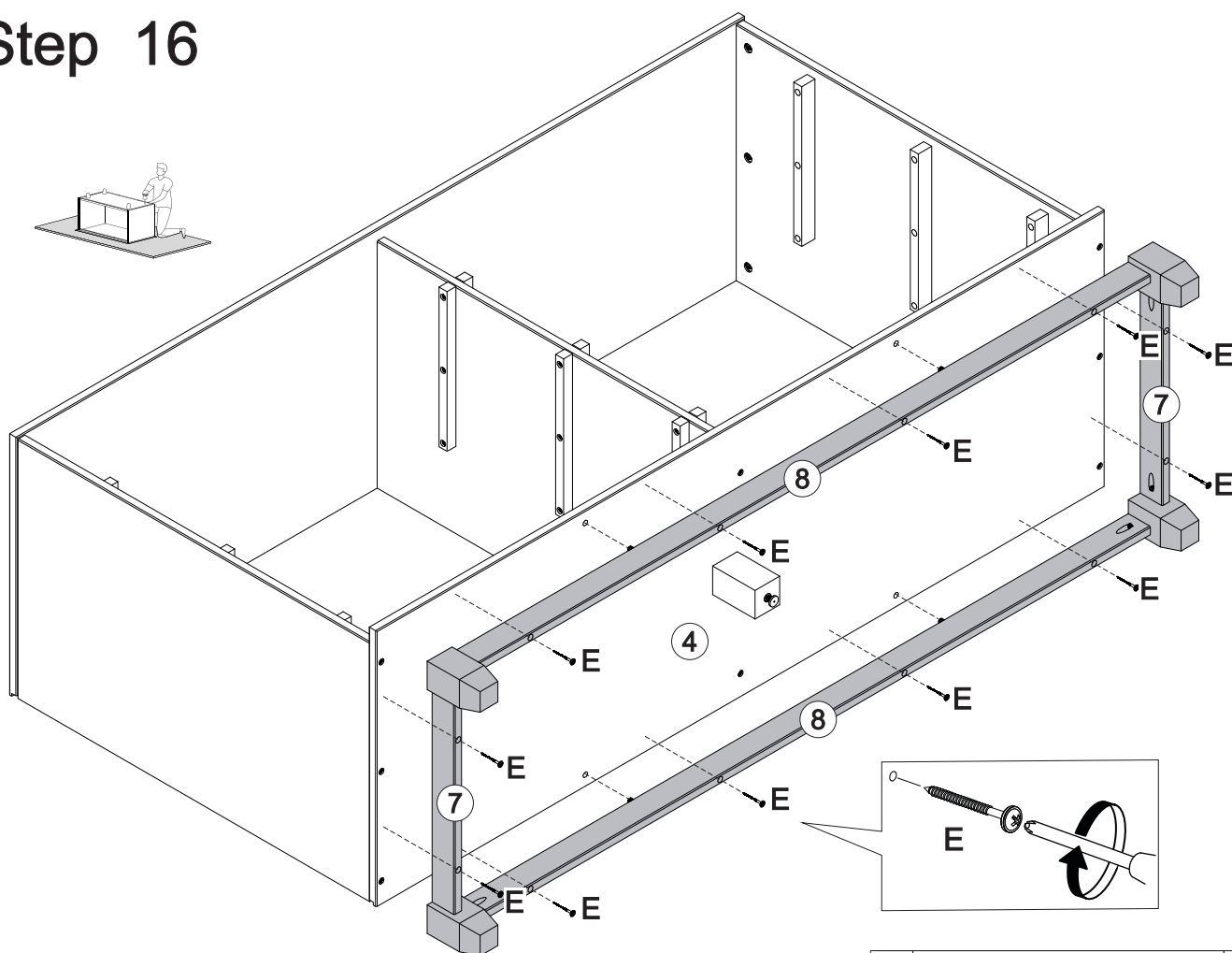
# Step 15



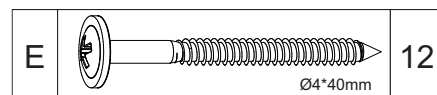
Attach part 8 to parts 9 with Screws (E) and Phillips head screwdriver.



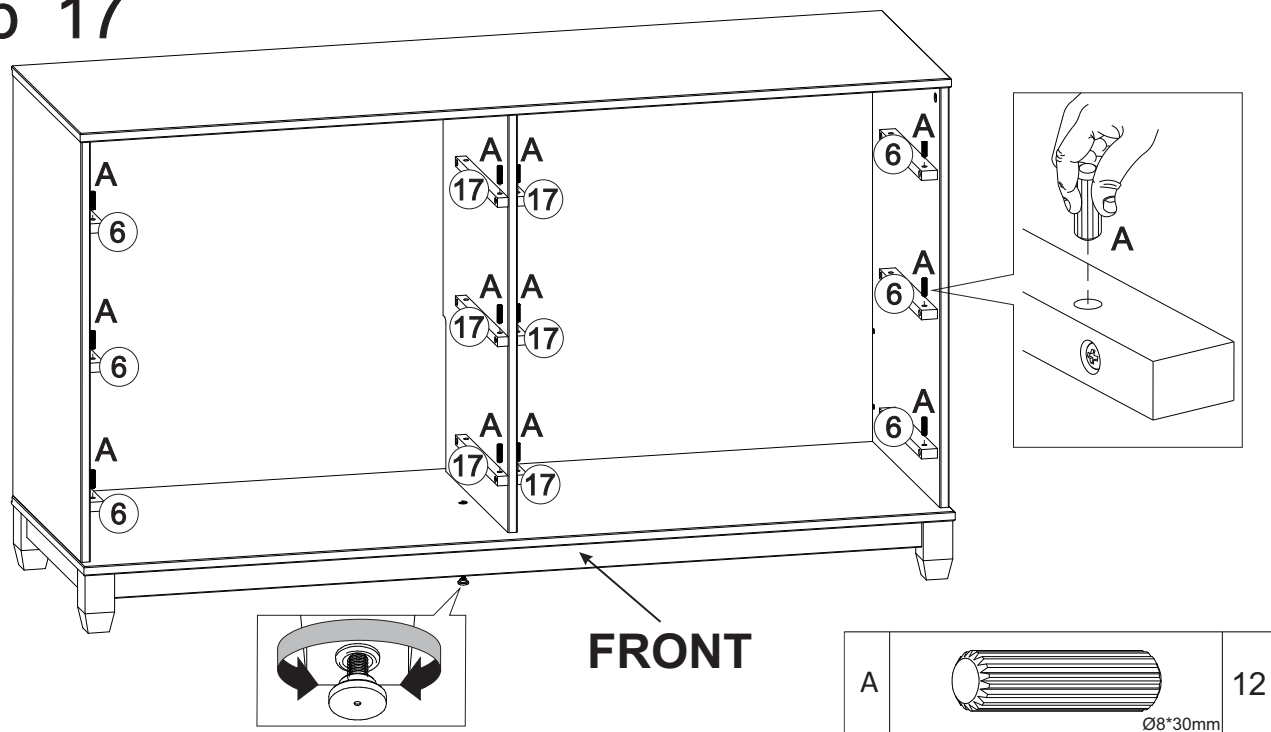
# Step 16



Attach parts 7 and 8 to part 4 with Screws (E) and Phillips head screwdriver.



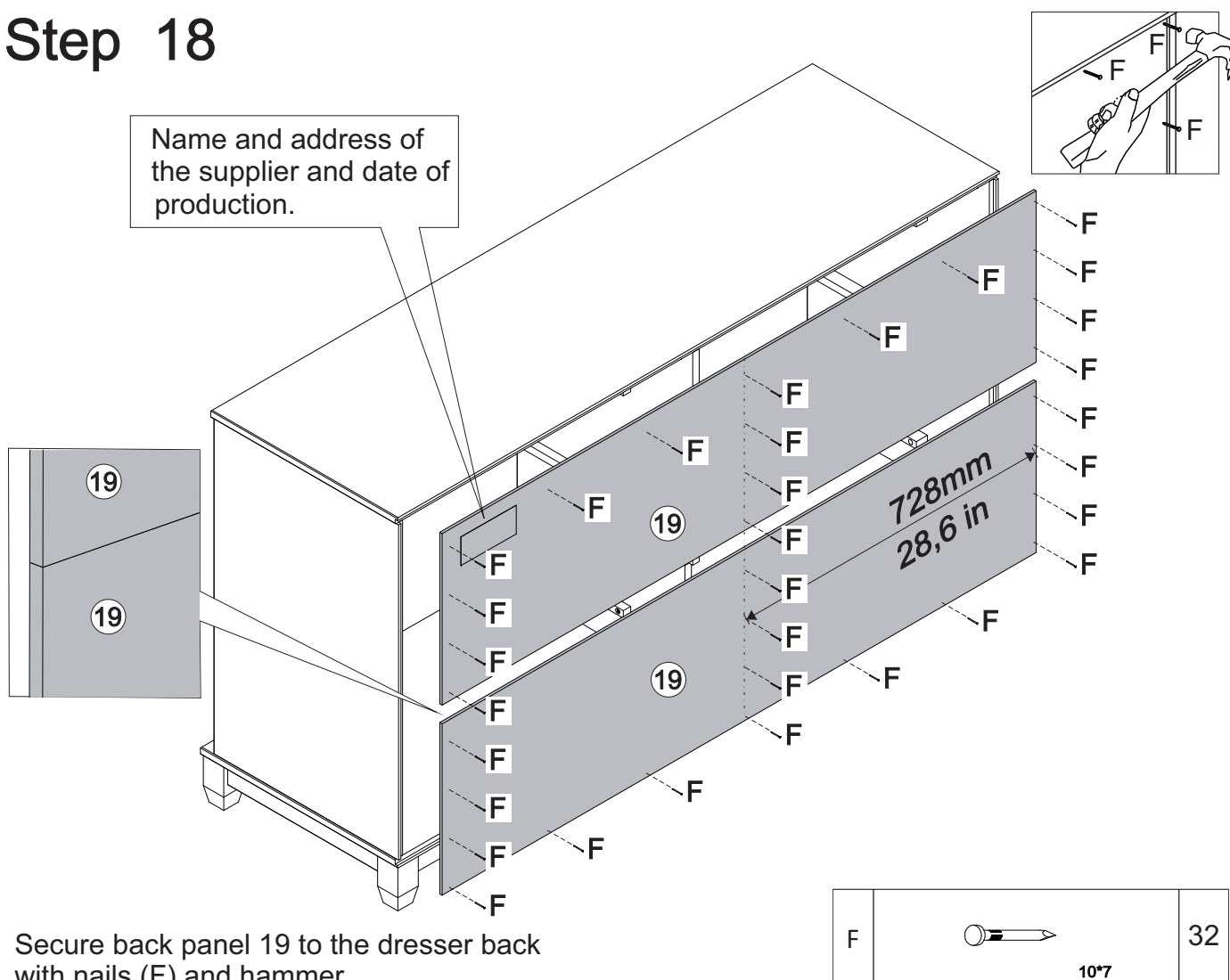
# Step 17



Insert wood dowel (A) into the front hole in the wood sliders 6 and 17.

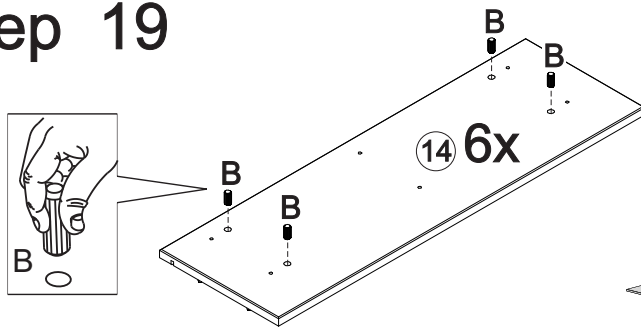
# Step 18

Name and address of the supplier and date of production.

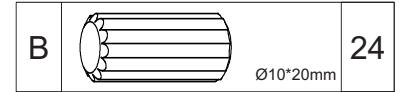
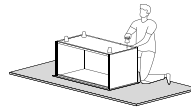
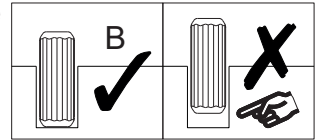


Secure back panel 19 to the dresser back with nails (F) and hammer.

# Step 19

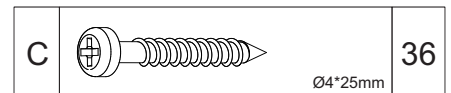
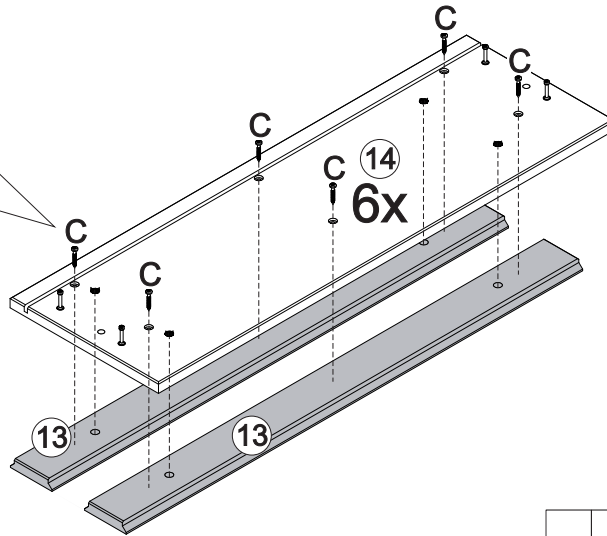
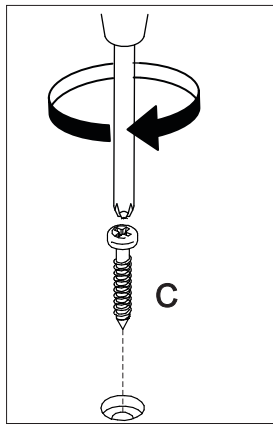


Attention to the  
dowel length:  
Ø10\*20mm



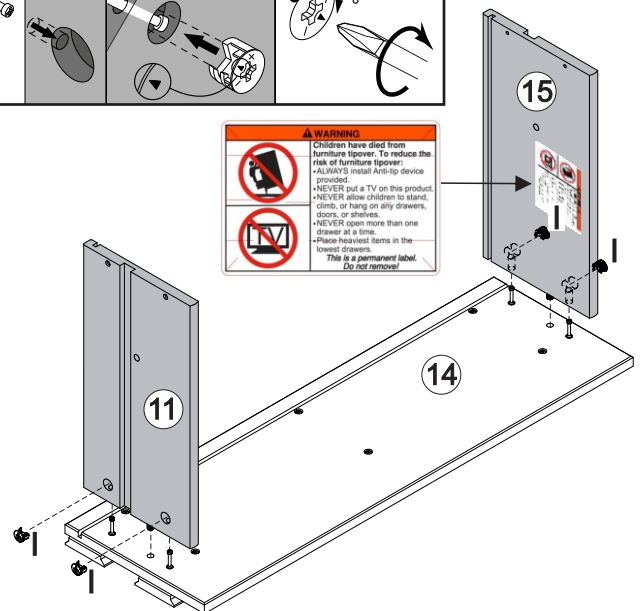
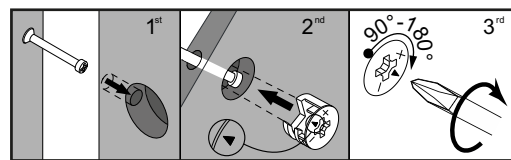
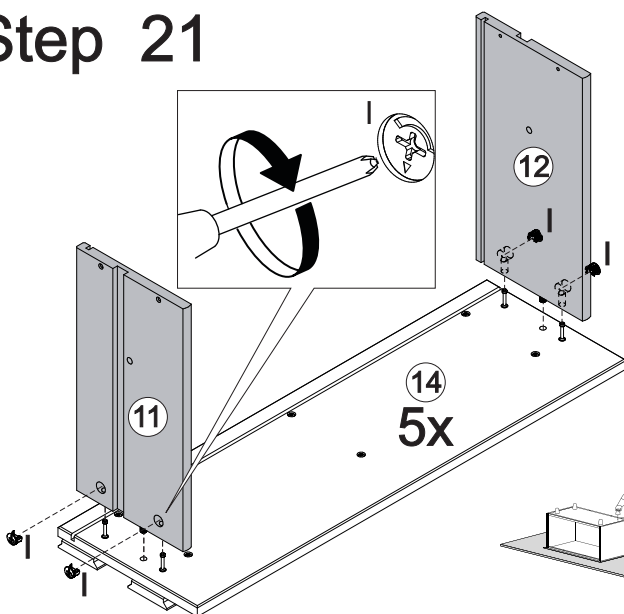
Insert wood dowel (B) into part 14.

# Step 20



Attach part 14 to part 13 with screws (C) and Phillips head screwdriver.

# Step 21

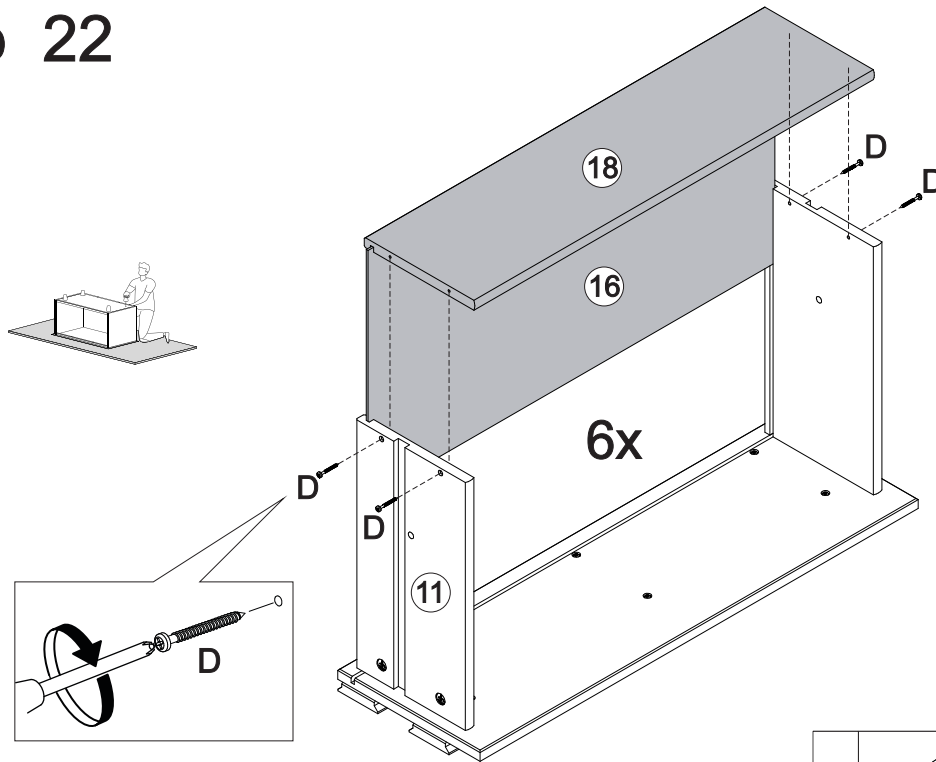


Attach part 11 and 12 to part 14. Insert Cam lock (I) into the holes in the parts 11 and 12, and attach with Phillips head screwdriver.

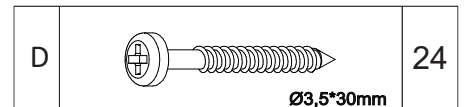
Attach part 11 and 15 to part 14. Insert Cam lock (I) into the holes in the parts 11 and 15, and attach with Phillips head screwdriver.



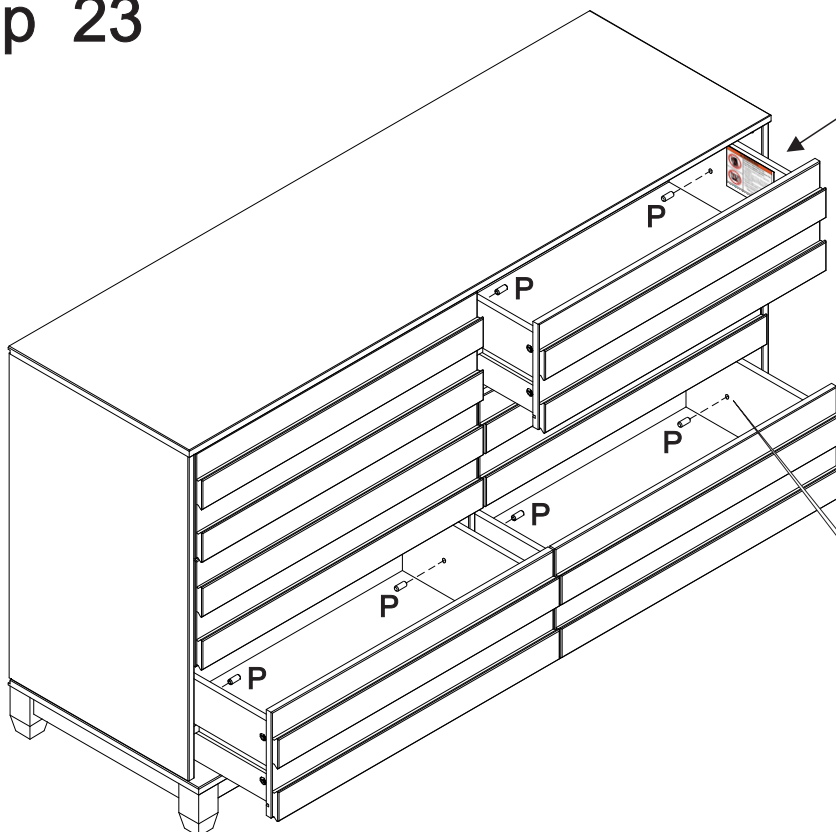
## Step 22



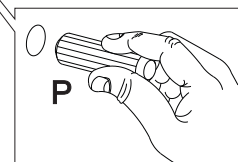
Insert panel 16 into grooves and secure part 18 with screws (D) and Phillips head screwdriver.



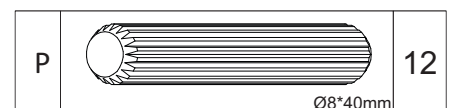
## Step 23



The side drawer with WARNING LABEL, should be mounted in highest drawer.



Insert wood dowel (P) on the inside of all drawers, with the drawer inside the unit after having passed the wood dowel that is in the drawer slide. The dowel is not flush with the panel, it is a little inside the drawer to help when you need to remove the lock dowel to remove the drawer.



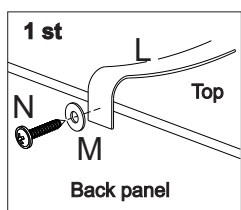


# Step 24

# WARNING

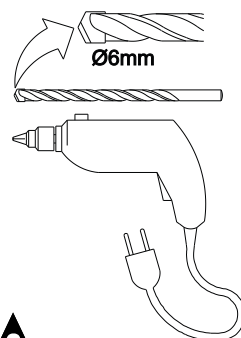
**Serious or fatal injuries can occur from furniture tipping over. To prevent the furniture from tipping over we recommend that it is permanently fixed to the wall.**

**Wall anchor and hardware are included with this product. Please make sure hardware is suitable for your walls before installing, as different wall materials may require different types of anchors.**



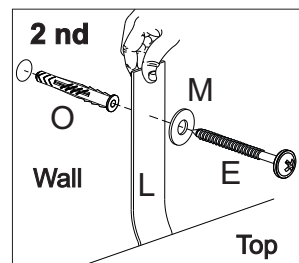
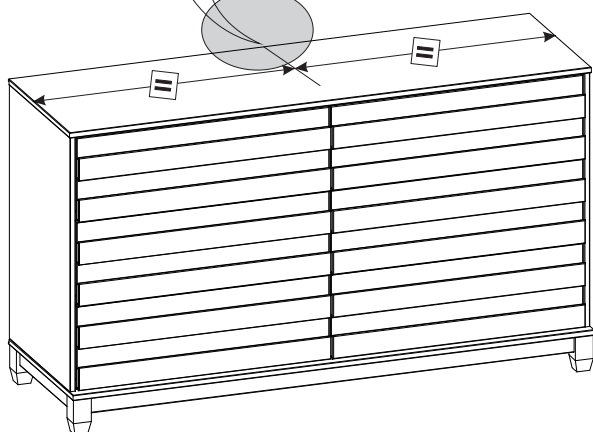
**1st**

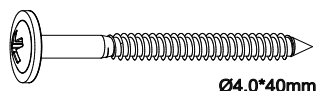


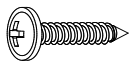

Attach part (L) with screw (N) and washer (M), in the frame of top panel unit using Phillips head screwdriver.



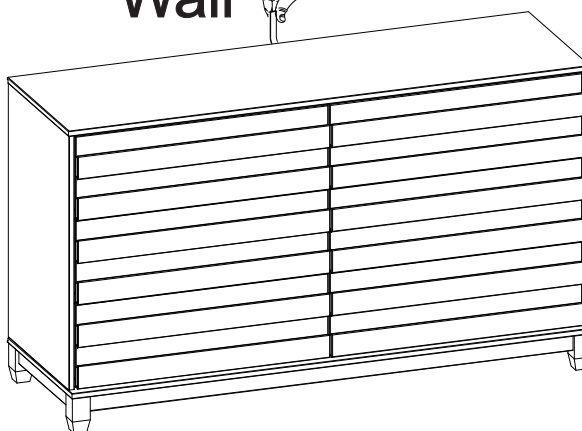
**2nd**

With drilling machine make one hole in the wall, insert part (O) in the hole. Secure part (L) with screw (E) and washer (M) in the wall using a Phillips head screwdriver.



E		01
L		01
M		02
N		01
O		01

**Wall**



Name and address information for the manufacturer responsible for the anti-tip hardware and date of production can be found on the label on the back of the furniture.

# Assembly Complete!

