

Features

- A selection of products within this collection is in stock and ready to ship. Please visit kallista.com/resources/#ReadyToShip for the complete list of Ready-to-Ship products and finishes
- High-quality solid-brass construction for durability and reliability
- Required shower arm sold separately
- Maximum flow rate of 2.5 gpm (9.5 lpm)
- Single-function spray
- Includes escutcheon
- Diameter is 8-3/8" (213 mm)

Required Products/Accessories

P21520-00 Rain Showerhead Arm

or

P21521-00 Rain Showerhead Arm

or

P21522-00 12" ceiling-mount rain showerhead arm

or

P21523-00 Wall-Mount Rain Showerhead Arm

Recommended Products/Accessories

P34709-PL Transitional 6" Shower Door Handle Pull

P23153-00 Single-function Handshower

P23122-LV Thermostatic Trim, Lever Handle



Codes/Standards

ASME A112.18.1/CSA B125.1

DOE - Energy Policy Act 1992

NOM Standards



NOM 008-CONAGUA

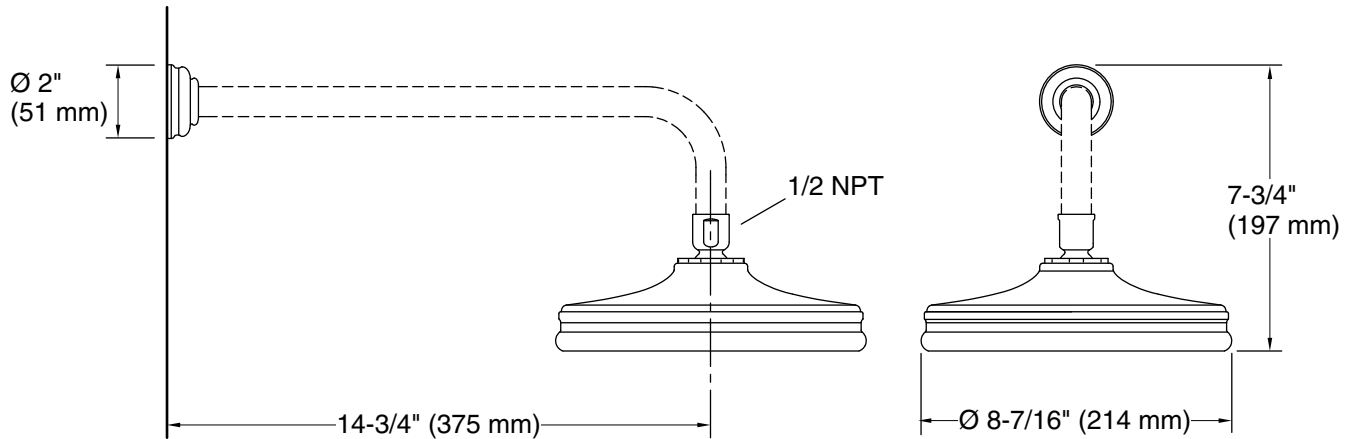
KALLISTA® Five-Year Limited Warranty

See website for detailed warranty information.

Available Colors/Finishes

Color tiles intended for reference only.

Color	Code	Description
	CP	Polished Chrome
	ULB	Unlacquered Brass
	BAF	Brushed French Gold
	BN	Brushed Nickel
	BV	Brushed Bronze
	SN	Polished Nickel



Technical Information

All product dimensions are nominal.

Shower/Rainhead rated max flow: 2.5 gal/min (9.5 l/min)

Notes

For use with automatic compensating valves rated at 2.5 gal/min (9.5 l/min) or less.