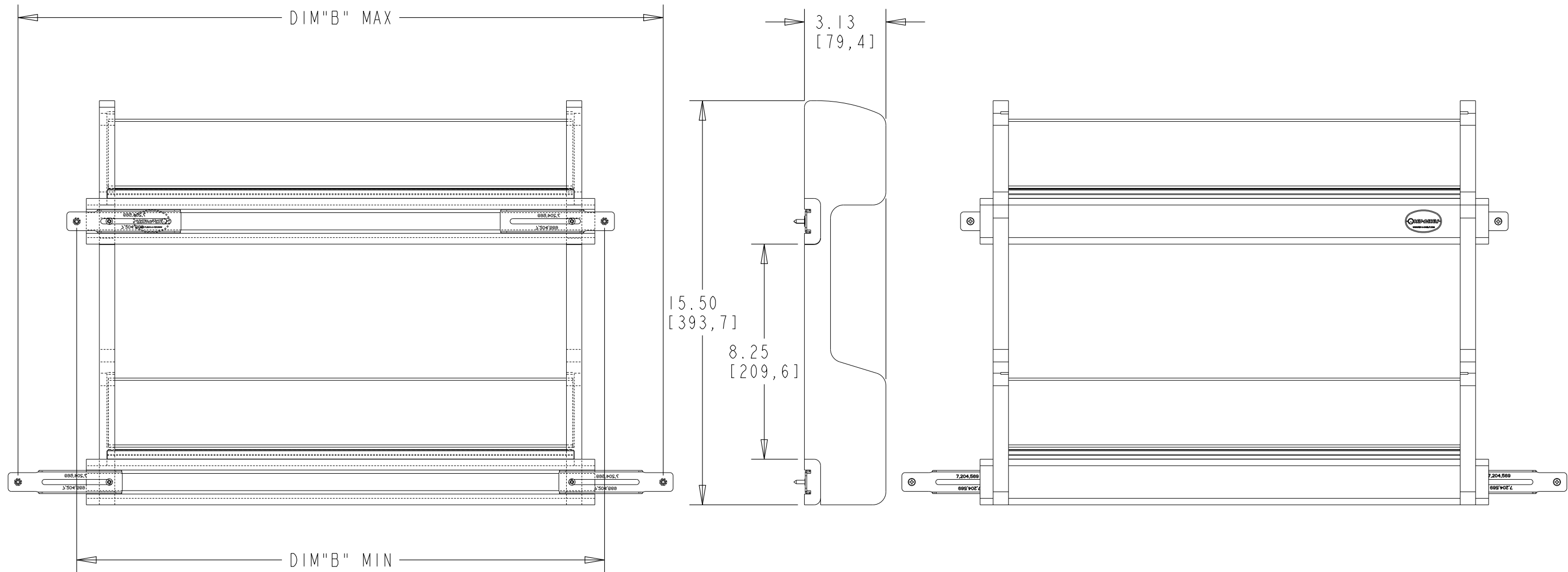


PART NUMBER	DIM "A"	"B" MIN	DIM " B" MAX
4VR1215	7.50" / [190,5 MM]	8.24" / [209.296 MM]	12.74" / [323.596]
4VR1515	10.50" / [266,7 MM]	11.24" / [285.496 MM]	15.74" / [399.796]
4VR1815	13.50" / [342.9 MM]	14.24" / [361.696 MM]	18.74" / [475.996]
4VR2115	16.50" / [419.1 MM]	17.24" / [437.896 MM]	21.74" / [552.196]
4VR2415	19.50" / [495,3 MM]	20.24" / [514.096 MM]	24.74" / [628.396]



CUSTOMER DRAWING

This drawing is the property of Rev-A-Shelf (RAS) and is disclosed in confidence to the extent its subject matter is original to RAS. Any vendor receiving this drawing from RAS shall hold and use this drawing for the sole benefit of RAS and shall not disclose it to, or use or reproduce it for any third party, or perform any act adverse to the interest of RAS with respect to this drawing without the express written permission of RAS. Vendors shall not revise any physical, dimensional or performance characteristic unless authorized by Rev-A-Shelf Engineering.

REV.	DATE	BY	DESCRIPTION OF CHANGE
A	5/16/19	JCD	ECN19-025

INCH [MM]	AMERICAN PROJECTION	DRAWN	BY	DATE	REV-A-SHELF, INC.	
			BKT	9/19/17	SIZE B	4VRXX-15 VANITY RACK
TOLERANCES MAT. DEC. (WOOD) .XX ±.03 [.8mm] (OTHER) .XX ±.02 [.5mm] (ALL) .XXX ±.005 [.13 mm] FRACTIONS ±1/32 [.8 mm]		ANGLES ±1/2°		MATERIAL	DRAWING NO.	SCALE
		FINISH		PART NO.	4VRXX15-CUST	0.250
					4VRXX15	SHEET OF 1 1