

DSE11 and DSE15

Edge Lit Surface Mount LED Downlight

Product Description

NICOR introduces our 11" & 15" DSEv3 Surface Mount Downlight that offers a slim profile with 5CCT selectability. With 1500 and 2000+ lumens and with an optional pendant mount kit, the DSEv3 11" & 15" offers a clean aesthetic and excellent performance, in any area of the home.

Construction

- Steel housing and backplate
- Steel mounting frame
- Driverless design minimizes installation depth
- CCT Selection switch on back of fixture

Optical System

- Precision engineered optical stack creates uniform light distribution that maximizes lumen output
- Offered with 5CCT selection of 2700K/3000K/3500K/4000K/5000K
- Utilizes high performing LEDs with a greater than 90 CRI and an R9 greater than 50

Electrical

- Input voltage of 120VAC, 50/60Hz
- Dimmable to less than 5% with compatible TRIAC or ELV dimmers
- Operating temperature of -4°F to 104°F (-20°C to 40°C)

Finish

- Matte White

Mounting and Installation

- Mounts to most 4" junction boxes or direct to drywall with mounting frame
- Mounting frame can be aircraft cable suspended (not included)
- Frame mounts to surface and fixture twist-locks into place
- Pendant mount option available

Listings

- cETLus 1598 Listed for wet locations
- Compliant with NFPA® 70, NEC® Section 410.16 (A)(3) and 410.16 (C)(5) for closet use
- RoHS Compliant
- Meets FCC Part 15, Subpart B, Class B standards for conducted and radiated emissions per ANSI C63.4:2014
- TM-21 Reported L70(9k) life >90,000 hrs
- LM-79, LM-80 testing performed in accordance with IESNA standards

Warranty

- 5-year limited system warranty standard
- Warranty does not cover product failure due to an overvoltage event (power surge)
- For installations where power surge may be possible, NICOR recommends installing additional surge protection at the electrical distribution panel

Project

Catalog

Type

Date



DSE
11" and 15"
1500 and 2000 Lumen
CCT Selectable
2700/3000/3500/4000/5000K



Ordering

Ordering Chart

Example: DSE113120SRDWH

Series	Size	Version	Voltage	CCT's	Trim Shape	Trim Color
DSE	11 (11 inch)	3	120	S (2700/3000/3500/4000/5000K)	RD (Round)	WH (White)
	15 (15 inch)					

Specifications and dimensions subject to change without notice

11" & 15" Accessories

DSE1115-PEND-KIT	Pendant Mount Kit
------------------	-------------------

Performance Data

Performance Data			
Model Number	Lumens	Watts	Lumens/Watt
DSE113 (2700K)	1523		95.8
DSE113 (3000K)	1552		97.6
DSE113 (3500K)	1569	15.9	98.7
DSE113 (4000K)	1601		100.7
DSE113 (5000K)	1588		99.9
DSE153 (2700K)	2020		105.8
DSE153 (3000K)	2058		107.8
DSE153 (3500K)	2081	19.1	108.9
DSE153 (4000K)	2123		111.2
DSE153 (5000K)	2107		110.3

Recommended Dimmers*

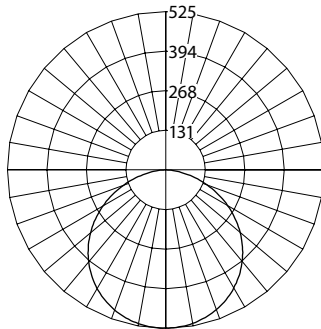
Lutron Skylark SCL-153P
 Lutron Diva DVCL-153P
 Lutron DIVA DVELV-300P
 Lutron Skylark SELV-300P
 Lutron Maestro MAELV-600

**Not a complete list.
 Check compatibility before installation.*

Photometric Data

DSE11 (2700K Setting)

Input Voltage (VAC)	120V
System Level Power (W)	15.9
Delivered Lumens (Lm)	1523
System Efficacy (Lm/W)	95.8
Correlated Color Temp (K)	2700
Color Rendering Index (CRI)	90
Beam Angle	113.6
Spacing Criteria	1.28



Intensity Summary (Candle Power)

Angle	Mean CP
0	523
5	519
15	503
25	470
35	420
45	357
55	281
65	196
75	107
85	30
90	4

Cone of Light Tabulation

Mounted height (Feet)	Footcandles Beam Center	Diameter (Feet)
4	32.6	12.2
6	14.5	18.3
8	8.2	24.5
10	5.2	30.6

Zonal Lumen Summary

Zone	Lumens	% of Luminaire
0-30	407	26.7%
0-40	668	43.9%
0-60	1188	78%
0-90	1523	100%
90-180	0	0%
0-180	1523	100%

CCT Data Multiplier

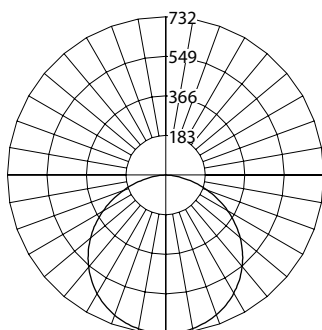
3000K	1.019
3500K	1.030
4000K	1.051
5000K	1.043



Photometric Data

DSE15 (2700K Setting)

Input Voltage (VAC)	120
System Level Power (W)	19.1
Delivered Lumens (Lm)	2020
System Efficacy (Lm/W)	105.8
Correlated Color Temp (K)	2700
Color Rendering Index (CRI)	90
Beam Angle	109.0
Spacing Criteria	1.25



Intensity Summary (Candle Power)

Angle	Mean CP
0	728
5	726
15	701
25	650
35	574
45	478
55	371
65	256
75	141
85	42
90	7

Cone of Light Tabulation

Mounted height (Feet)	Footcandles Beam Center	Diameter (Feet)
4	45.7	11.2
6	20.3	16.8
8	11.4	22.4
10	7.3	28.0

Zonal Lumen Summary

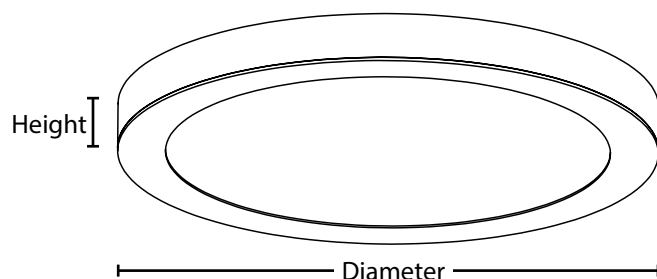
Zone	Lumens	% of Luminaire
0-30	561	27.8%
0-40	914	45.3%
0-60	1596	79%
0-90	2020	100%
90-180	0	0%
0-180	2020	100%

CCT Data Multiplier

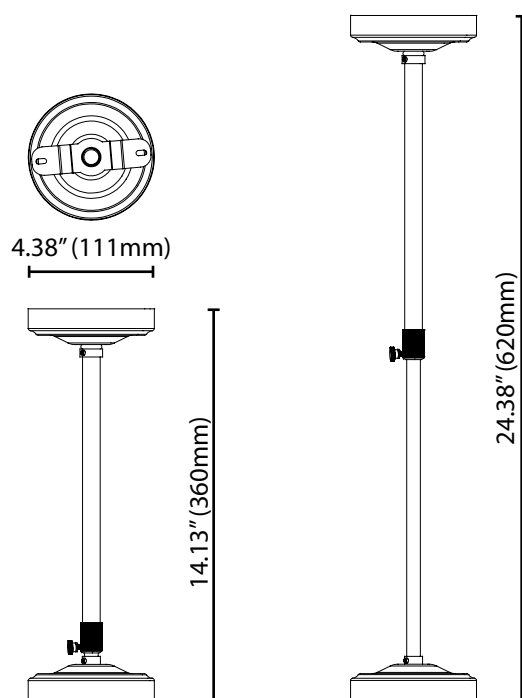
3000K	1.019
3500K	1.030
4000K	1.051
5000K	1.043

Fixture tested per LM-79-08. Photometric data is of the performance of a representative fixture. Results may vary in the field.

Dimensions



Dimensions		
Round	Diameter	Height
DSE11-RD	11.00in (280mm)	0.67in (17mm)
DSE15-RD	15.00in (380mm)	



This device complies with part 15 of the FCC Rules. Operation is subject to the following two conditions: (1) This device may not cause harmful interference, and (2) this device must accept any interference received, including interference that may cause undesired operation.

NOTE: This equipment has been tested and found to comply with the limits for a Class A digital device, pursuant to part 15 of the FCC Rules. These limits are designed to provide reasonable protection against harmful interference when the equipment is operated in a commercial environment. This equipment generates, uses, and can radiate radio frequency energy and, if not installed and used in accordance with the instruction manual, may cause harmful interference to radio communications. Operation of this equipment in a residential area is likely to cause harmful interference in which case the user will be required to correct the interference at his own expense.