



OC-SS-39

39-3/8" x 39-3/8" Vikrell® shower with right seat, left grab bars, center drain

62050115



Features

- 1/2" (12.7 mm) threshold
- Durable swirl-gloss finish
- Three-piece tongue-and-groove walls with snap-together installation
- Fold-down seat with stainless steel supports on right, grab bars at left
- Type A and B multifamily dwellings: Showers will comply with ICC ANSI A117.1 Standards section 1104.11.3.1.3.3 and the Fair Housing Act Accessibility Guidelines when installed per Requirement 6 (Reinforced walls for grab bars) of the Accessibility Guidelines

Installation

- Alcove
- Center drain
- Caulk required for proper installation

Recommended Products/Accessories

K-23726 Drain treatment

Included Components

- 62055115 39-3/8" Vikrell® seated shower end wall set with right seat, left grab bar
- 62051100 39-3/8" x 39-3/8" Vikrell® shower base, center drain
- 62052113 39-3/8" Vikrell® shower back wall with left grab bar



Codes/Standards

- CSA B45.5/IAPMO Z124
- ASTM E162
- ASTM E662
- HUD, UM Bulletin 73

STERLING® Vikrell® or Acrylic Baths and Shower Bases Ten-Year Limited Warranty


STERLING® Grab Bars Ten-Year Limited Warranty

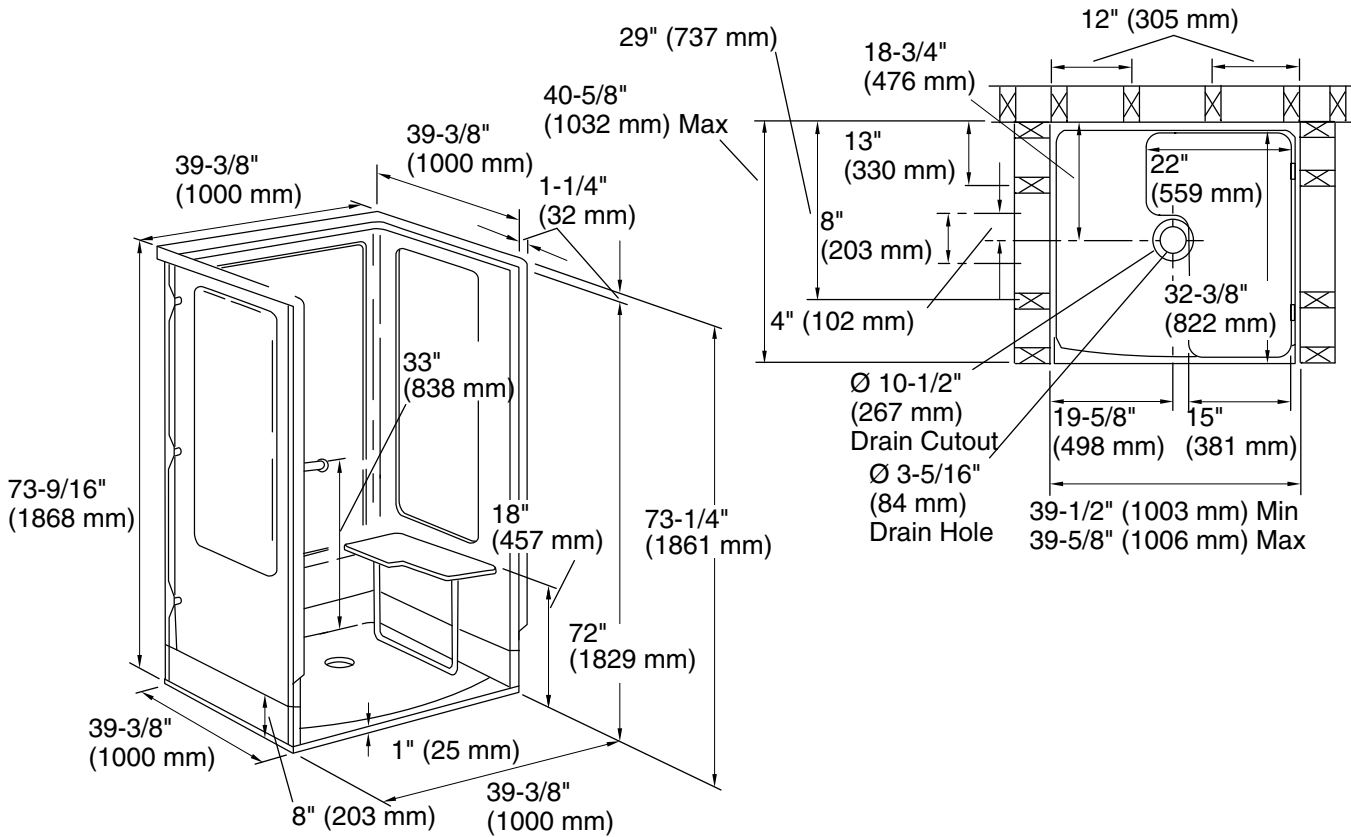
See website for detailed warranty information.

Available Colors/Finishes

Color tiles intended for reference only.

Color	Code	Description
-------	------	-------------

	0	White
---	---	-------



Technical Information

All product dimensions are nominal.

Drain location: Center

Notes

Install this product according to the installation instructions.

1/2" minimum finished floor thickness required. Studs should be positioned as shown.

Backerboards and fasteners protrude beyond the back wall 1-1/2" (38 mm). If installing this product against wall board, 1-1/2" (38 mm) furring strips installed over the wall board are recommended. The stud pocket depth of 40-5/8" (1032 mm) will need to be increased by the combined thickness of the wall board and furring strips.

Drain cutout in subfloor to be 10-1/2" (267 mm) per rough-in illustration as shown to allow the backside of the drain to sit below the subfloor surface.