

Features

- Metal construction
- Pop-up drain with lift rod and tailpiece
- Vandal-resistant aerator
- Red and blue index rings
- Quarter-turn washerless ceramic disc valves
- 5-1/8" (130 mm) spout reach
- 2.2 gpm (8.3 lpm) maximum flow rate at 60 psi (4.14 bar)

Material

- Brass valve bodies

Installation

- Flexible connections for easy installation

Recommended Products/Accessories

K-23726 Drain treatment



ADA

CSA B651

Codes/Standards

ASME A112.18.1/CSA B125.1

NSF/ANSI/CAN 61

NSF/ANSI/CAN 372

DOE - Energy Policy Act 1992

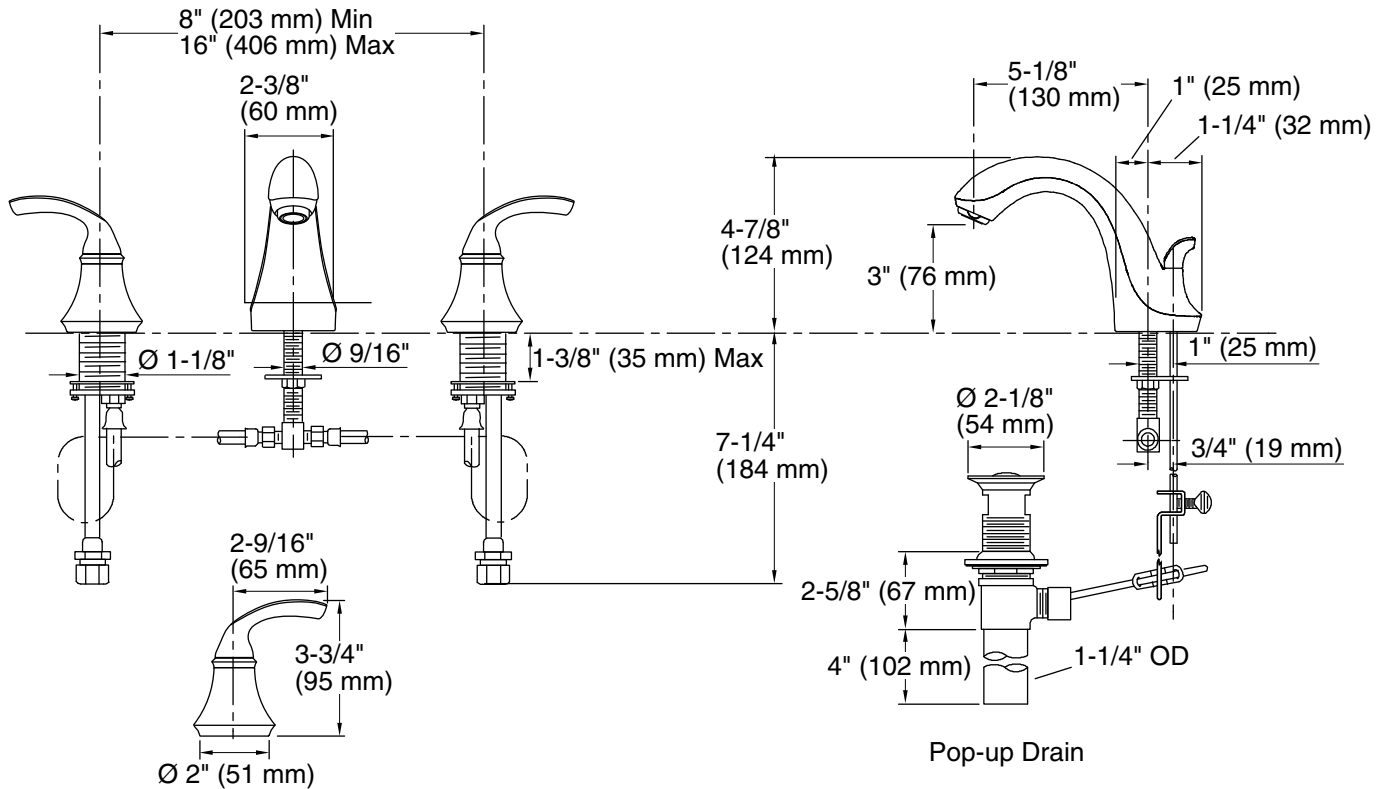
ADA

ICC/ANSI A117.1

CSA B651

KOHLER® Faucet Lifetime Limited Warranty

See website for detailed warranty information.



Technical Information

All product dimensions are nominal.

Faucet flow rate: 2.2 gal/min (8.3 l/min)

Drain included: Yes

Drain tailpiece included: Yes

Spout:

Spout reach: 2-5/8" (67 mm)

Notes

Install this product according to the installation guide.

ADA compliant for handles only.

ADA, CSA B651 compliant when installed to the specific requirements of these regulations.