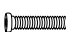





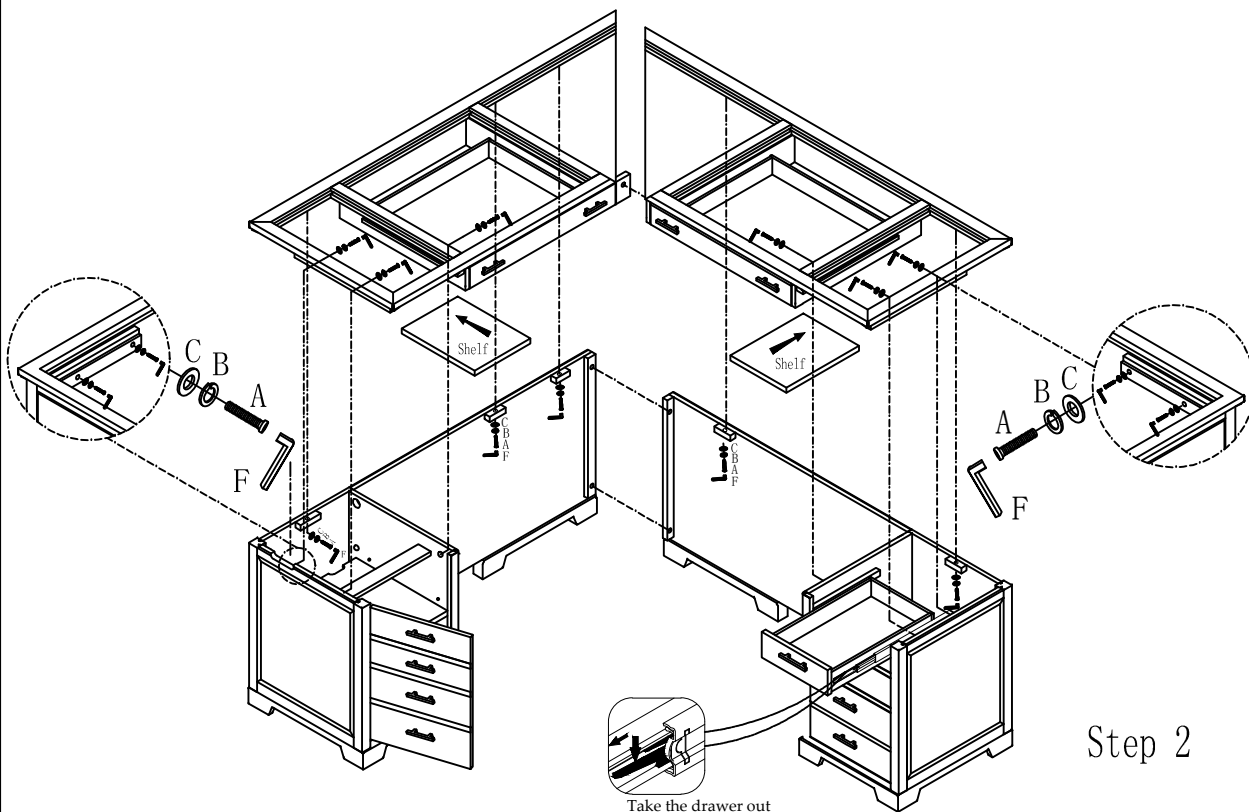
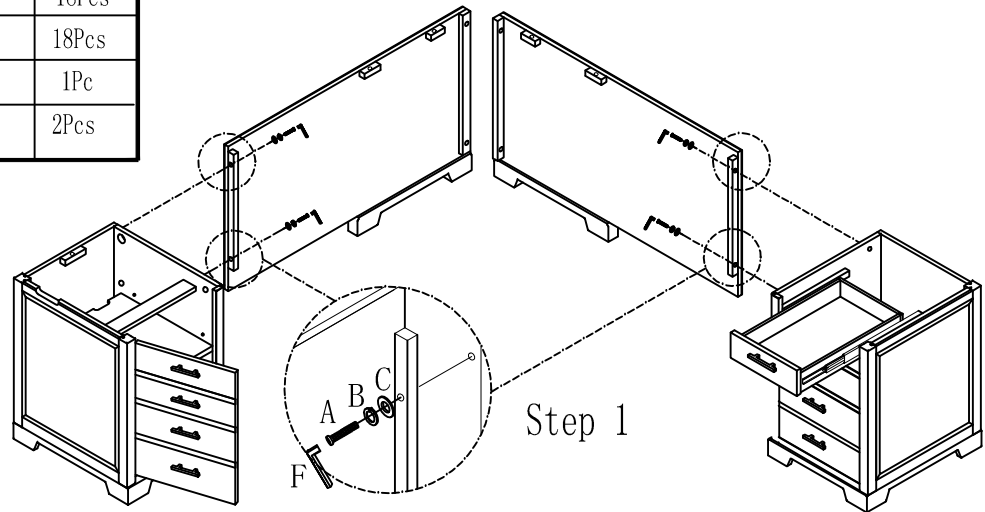
HEKMAN

ASSEMBLY INSTRUCTIONS

79187-Desk RHF-LHF Door Unit

A HOWARD MILLER COMPANY

A		5/16 * 1-1/2"	18Pcs
B		5/16	18Pcs
C		5/16*19	18Pcs
F		5mm*80mm	1Pc
G		Key	2Pcs



Step 1: Open the upper drawer, assemble the left pedestal and side panels, and right pedestal and side panel, as shown above with Bolt (A) and lock washer (B), flat Washer (C) using wrench (F).

Step 2: Remove the top drawer and writing pad from both pedestals, place the left top assembly on the left pedestal and the right top assembly on the right pedestal with Bolt (A) and lock washer (B), and flat Washer (C) using wrench (F)

MADE IN VIETNAM