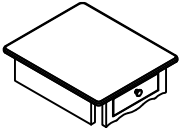


ASSEMBLY INSTRUCTION

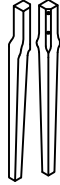
E712A(3A) SIDE TABLE

A Table Top



1 pc

B Legs



4 pcs

C Allen Bolt
Ø1/4"x45mm



8 pcs

D Lock Washer
Ø1/4"



8 pcs

E Flat Washer
Ø1/4"x19x1.5mm

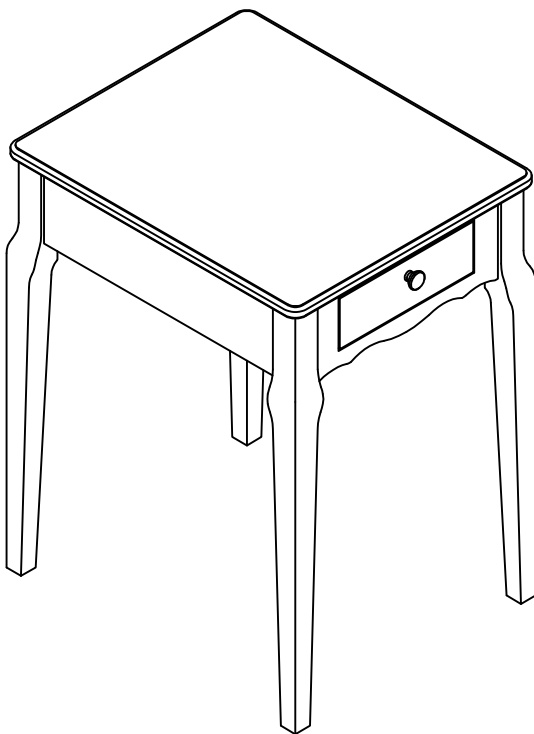


8 pcs

F Allen Key
4mm

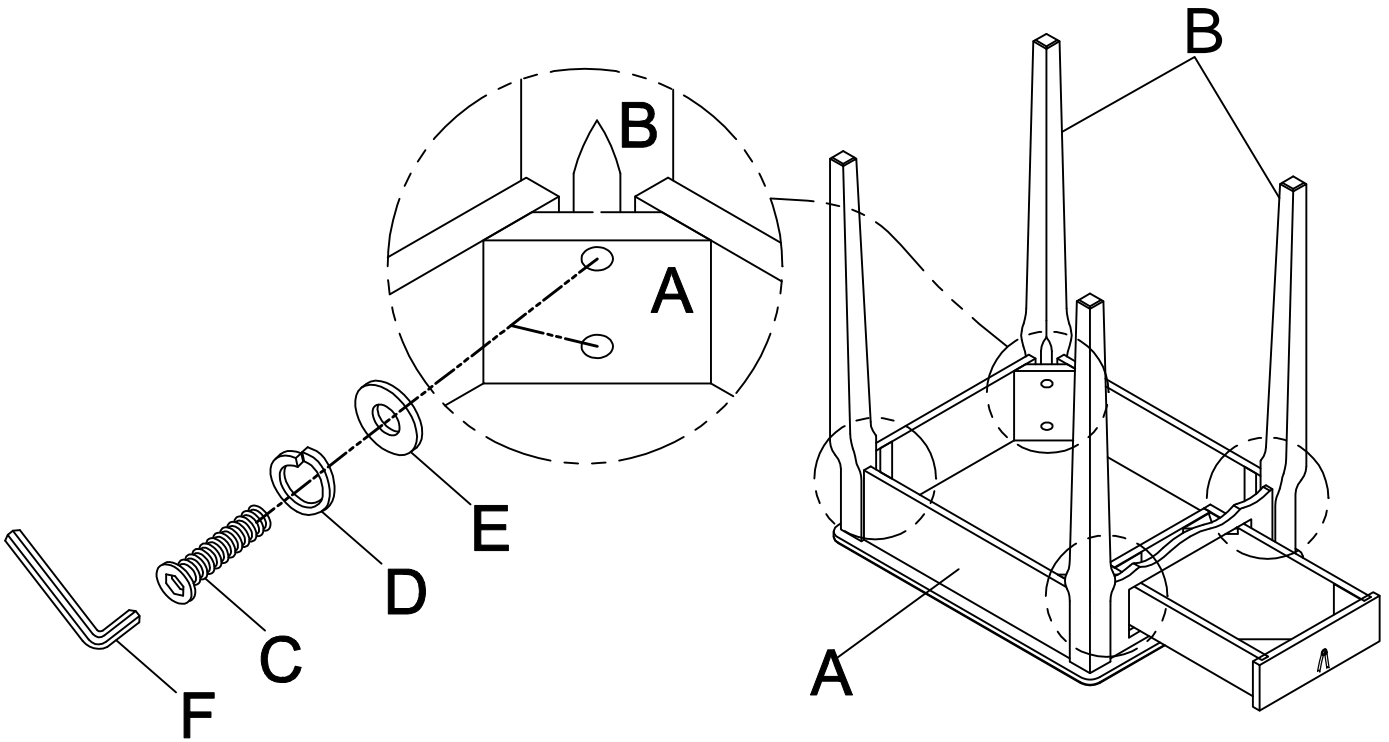


1 pc

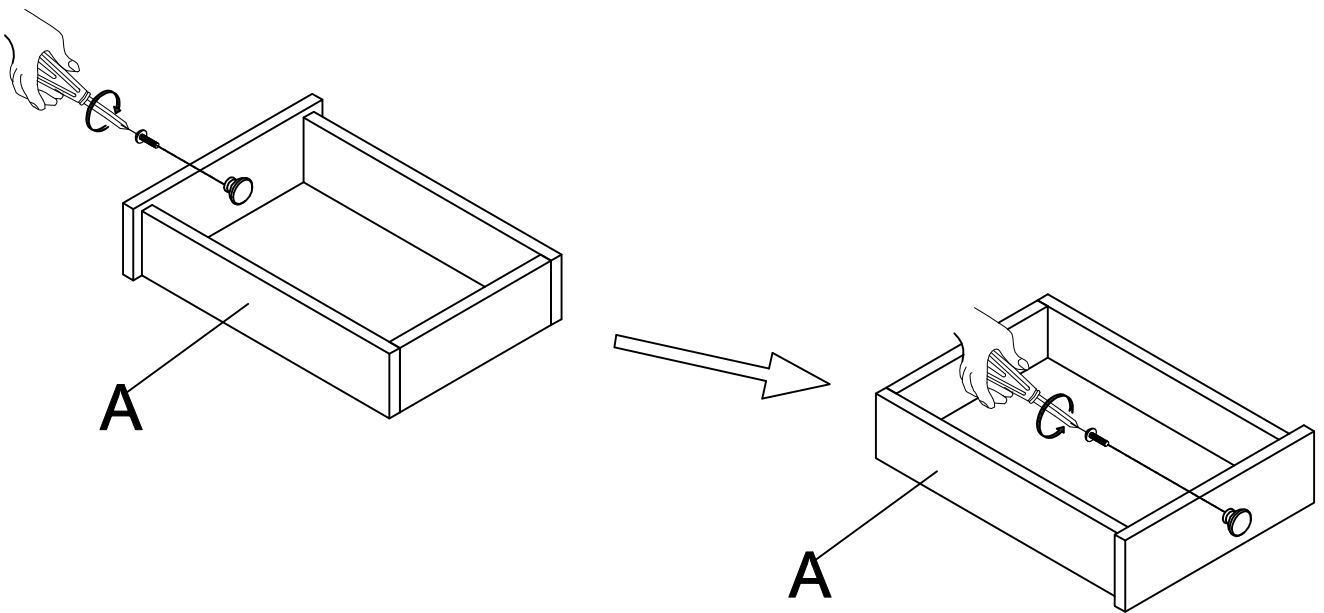


This page lists all the contents included in the box. Please take the time to identify the hardware as well as the individual components to this product. As you unpack and prepare for assembly, place the contents on a carpeted or padded area to protect them from damage.

- 1** Attached four Legs(B) to the Table Top(A). Use Allen Bolt(C) Lock Washer(D) and Flat Washer(E) on holes of Table Top(A). Turn the Allen Key(F) in Allen Bolt(C).



- 2** Take out the drawer, and remove the handle at back side of drawer. Use bolt install the handle on front side.



Cleaning & Care

Treat surface with care. Surface is resistant to scratches but is not scratch resistant. Clean surfaces with a dry or damp soft cloth. Do not use abrasive cleaners. Hardware may loosen over time. Periodically check that all connections are tight.