

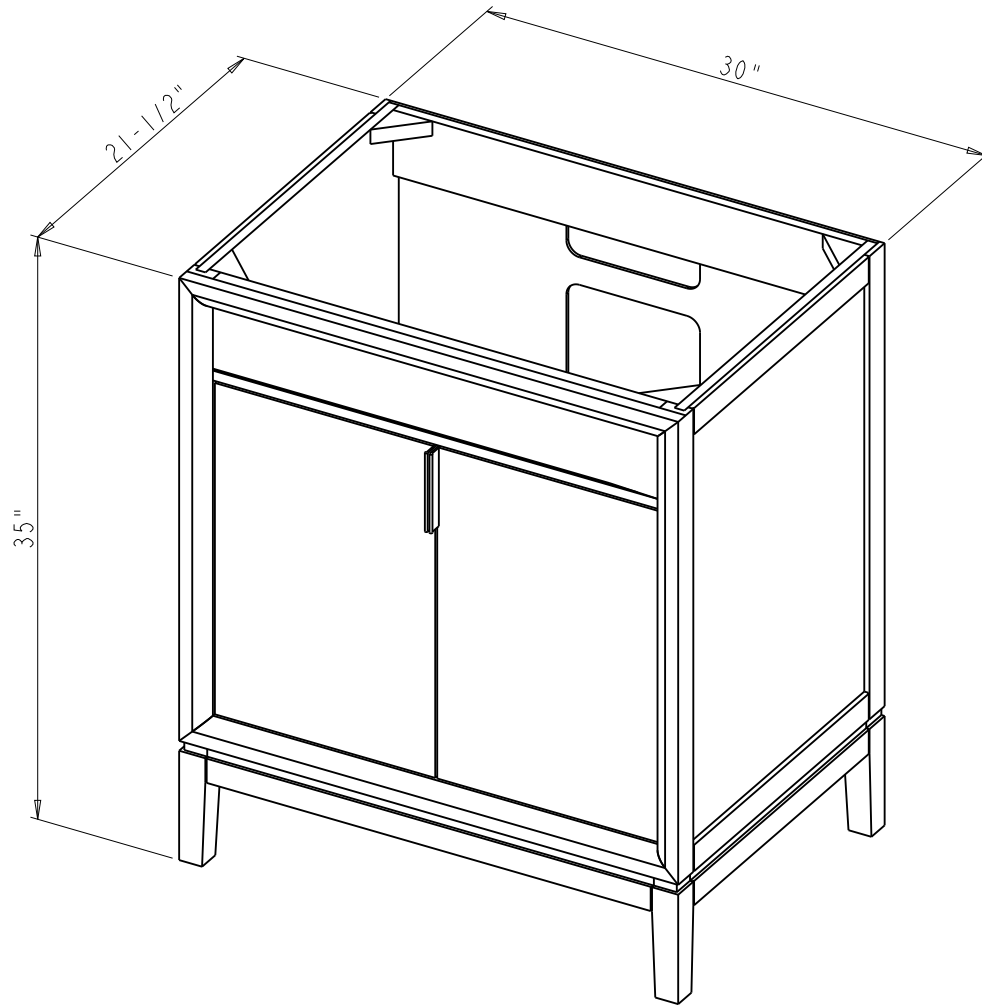
ADJUSTABLE-SHELF


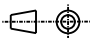
Specification:

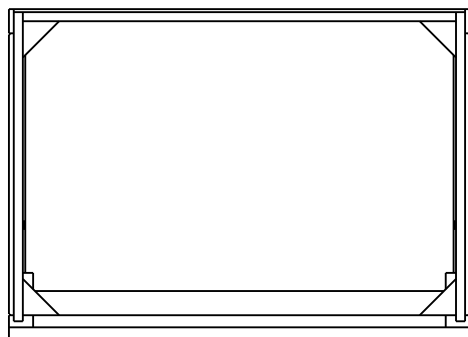
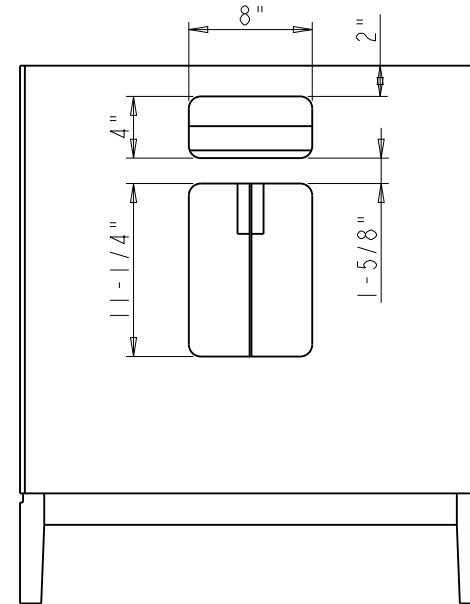
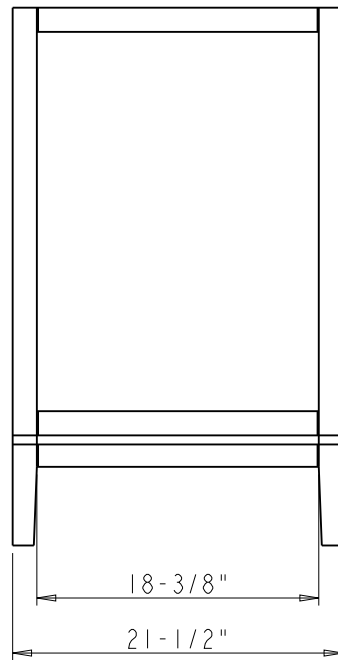
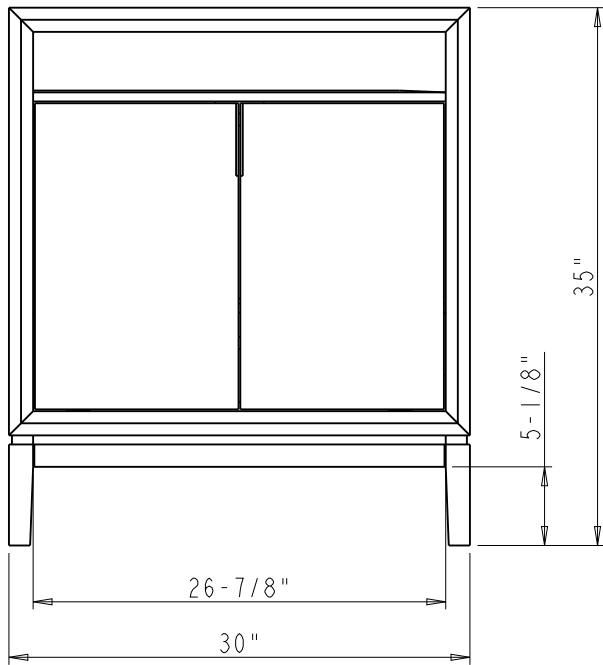
1. Material: MDF + Plywood + Birch
2. Finish: See Table
3. Hardware: See Table
4. Slides: USE58-300-18 + US-CLIP-4W ( 1 Set )
5. Hinge: 700.0537.25 + 600.1234.05 ( 4 Set )
6. Shelf Supports: 1707BN ( 4 PCS )
7. The tolerance is +/- 1/8"

Item number	Finish	Deco Hardware	
		Item number	Qty
VN2THE-30-BK-NT	Black	PC, vendor's item	2
VN2THE-30-BL-NT	Blue	SBZ, vendor's item	2
VN2THE-30-BS-NT	Bule Steel	PC, vendor's item	2
VN2THE-30-GR-NT	Grey	PC, vendor's item	2
VN2THE-30-WH-NT	White	PC, vendor's item	2

<p><b>hardware resources</b></p> <p><small>PROPRIETARY AND CONFIDENTIAL</small></p> <p><small>THE INFORMATION CONTAINED IN THIS DRAWING IS THE SOLE PROPERTY OF HARDWARE RESOURCES INC. ANY REPRODUCTION IN PART OR AS A WHOLE WITHOUT THE WRITTEN PERMISSION OF HARDWARE RESOURCES INC. IS PROHIBITED.</small></p> <p><small>DO NOT SCALE DRAWING</small></p>	ITEM#: VN2THE-30	MATERIAL:	
	FINISH:	WEIGHT: 9	
	TOLERANCE UNLESS OTHERWISE SPECIFIED: X ±0.20 X.X ±0.10 X.XX ±0.05 ANGULAR: ±0.5°	UNITS:	PROJECTION
	DATE: May-18-21	DRAWN BY: Hugo.cai	DATE:
	APPROVED BY:	DATE:	
	RELEASE LEVEL:	REVISION:	



	ITEM#: VN2THE - 30		MATERIAL:		
	FINISH:		WEIGHT: 9		
<p><b>PROPRIETARY AND CONFIDENTIAL</b></p> <p>THE INFORMATION CONTAINED IN THIS DRAWING IS THE SOLE PROPERTY OF HARDWARE RESOURCES INC. ANY REPRODUCTION IN PART OR AS A WHOLE WITHOUT THE WRITTEN PERMISSION OF HARDWARE RESOURCES INC. IS PROHIBITED.</p>	PROJECTION 		DATE: May - 20 - 21		
	TOLERANCE UNLESS OTHERWISE SPECIFIED: X ±0.20 X.X ±0.10 X.XX ±0.05 ANGULAR: ±0.5°		DRAWN BY: Tony.Huang		DATE:
	DO NOT SCALE DRAWING		APPROVED BY:		REVISION:
			SHEET:		RELEASE LEVEL:



	ITEM#: VN2THE - 30		MATERIAL:	
	FINISH:		WEIGHT:	
<p><b>PROPRIETARY AND CONFIDENTIAL</b></p> <p>THE INFORMATION CONTAINED IN THIS DRAWING IS THE SOLE PROPERTY OF HARDWARE RESOURCES INC. ANY REPRODUCTION IN PART OR AS A WHOLE WITHOUT THE WRITTEN PERMISSION OF HARDWARE RESOURCES INC. IS PROHIBITED.</p> <p>DO NOT SCALE DRAWING</p>	UNITS:		DRAWN BY:	DATE:
	TOLERANCE UNLESS OTHERWISE SPECIFIED:		<i>Tony.Huang</i>	
	X ±0.20		APPROVED BY:	May - 20 - 21
	X.X ±0.10		DATE:	
X.XX ±0.05		REVISION:		
ANGULAR: ±0.5°		RELEASE LEVEL:		
SHEET:		PROJECTION		