

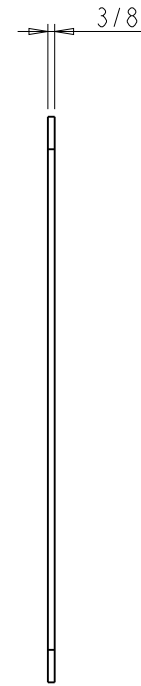
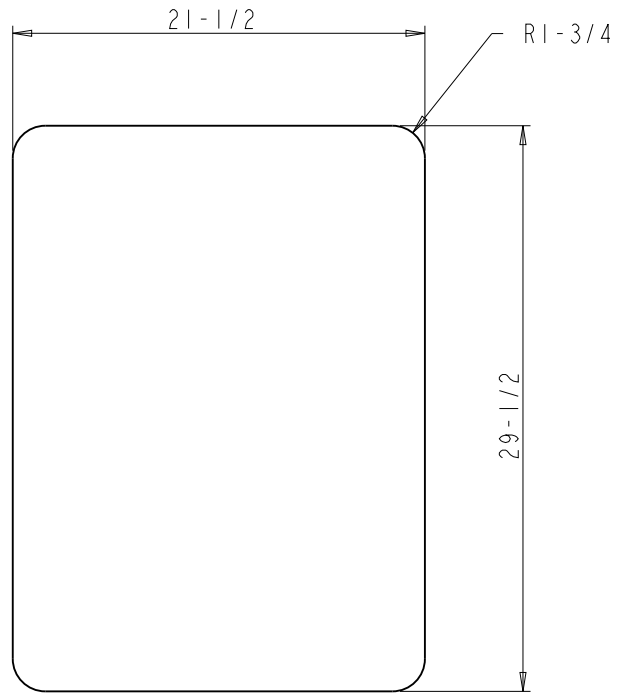


SECTION A-A


Item	Finish
VMIR-METR-22BG	Brushed Gold
VMIR-METR-22MB	Matte Black
VMIR-METR-22SBZ	Satin Bronze
VMIR-METR-22SN	Satin Nickel

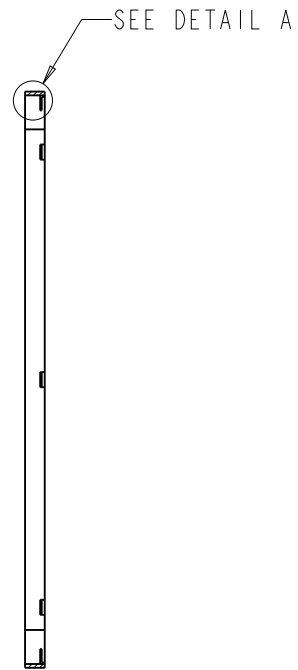
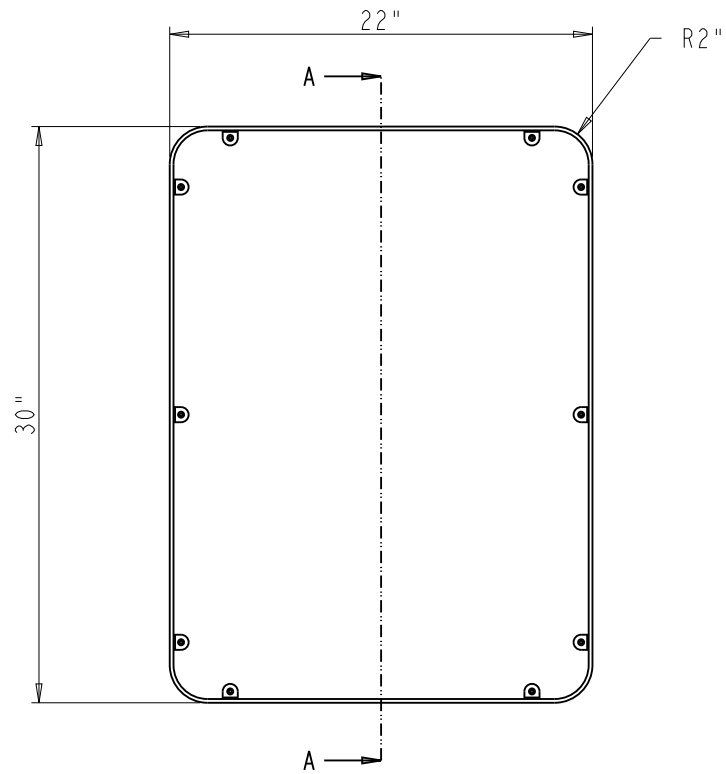
 PROPRIETARY AND CONFIDENTIAL THE INFORMATION CONTAINED IN THIS DRAWING IS THE SOLE PROPERTY OF HARDWARE RESOURCES INC. ANY REPRODUCTION IN PART OR AS A WHOLE WITHOUT THE WRITTEN PERMISSION OF HARDWARE RESOURCES INC. IS PROHIBITED.	ITEM#: VMIR-METR-22	MATERIAL:
	FINISH:	WEIGHT: 9
	TOLERANCE UNLESS OTHERWISE SPECIFIED: X ±0.20 X.X ±0.10 X.XX ±0.05 ANGULAR: ±0.5°	PROJECTION 
	UNITS:	DRAWN BY: <i>Hugo.cai</i>
DO NOT SCALE DRAWING	SIZE:	APPROVED BY:
	SHEET:	RELEASE LEVEL:
		REVISION:



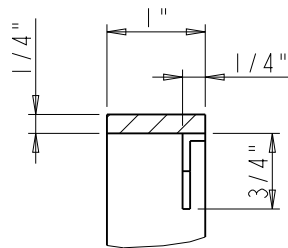
Note:

Material: MDF

 PROPRIETARY AND CONFIDENTIAL THE INFORMATION CONTAINED IN THIS DRAWING IS THE SOLE PROPERTY OF HARDWARE RESOURCES INC. ANY REPRODUCTION IN PART OR AS A WHOLE WITHOUT THE WRITTEN PERMISSION OF HARDWARE RESOURCES INC. IS PROHIBITED.	ITEM#: VMIR-METR-22-BACK-BOARD		MATERIAL:		
	FINISH:		WEIGHT:		
	TOLERANCE UNLESS OTHERWISE SPECIFIED: X ±0.20 X.X ±0.10 X.XX ±0.05 ANGULAR: ±0.5°		UNITS:	DRAWN BY: <i>Hugo.cai</i>	DATE: Feb-24-23
	DO NOT SCALE DRAWING		SIZE:	APPROVED BY:	DATE:
		SHEET:	RELEASE LEVEL:	REVISION:	




SECTION A-A

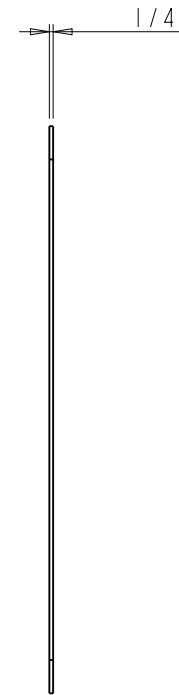
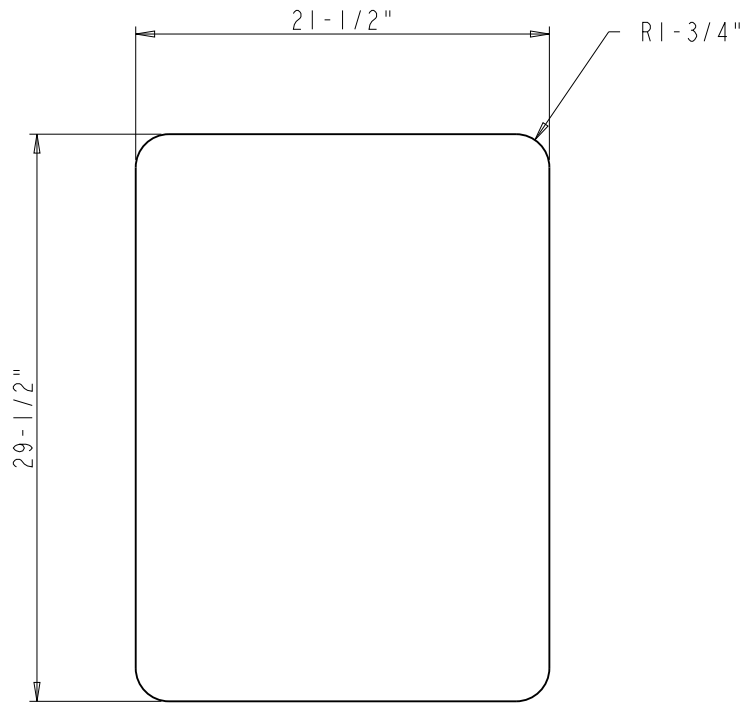



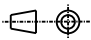
DETAIL A
SCALE 1:2

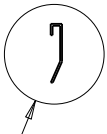
NOTE:

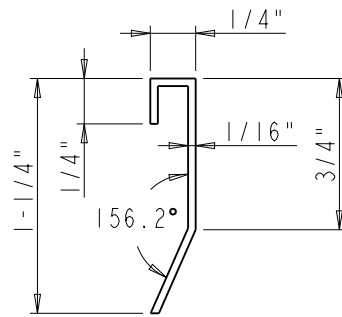
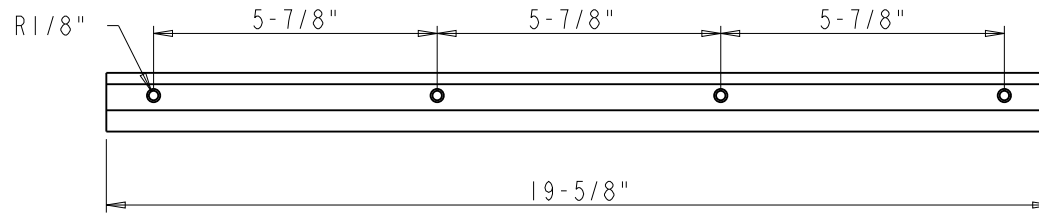
MATERIAL: Iron

 PROPRIETARY AND CONFIDENTIAL THE INFORMATION CONTAINED IN THIS DRAWING IS THE SOLE PROPERTY OF HARDWARE RESOURCES INC. ANY REPRODUCTION IN PART OR AS A WHOLE WITHOUT THE WRITTEN PERMISSION OF HARDWARE RESOURCES INC. IS PROHIBITED.	ITEM#: VMIR-METR-22-FRAME		MATERIAL:	
	FINISH:		WEIGHT:	
DO NOT SCALE DRAWING	TOLERANCE UNLESS OTHERWISE SPECIFIED: X ±0.20 X.X ±0.10 X.XX ±0.05 ANGULAR: ±0.5°		UNITS:	DATE: Feb-24-23
	SIZE:	APPROVED BY:	DATE:	
	SHEET:	RELEASE LEVEL:	REVISION:	
	DRAWN BY: <i>Hugo.cai</i>		DATE: Feb-24-23	



	ITEM#: VMIR-METR-22-MIRROR		MATERIAL:		
	FINISH:		WEIGHT: 9		
<p>PROPRIETARY AND CONFIDENTIAL</p> <p>THE INFORMATION CONTAINED IN THIS DRAWING IS THE SOLE PROPERTY OF HARDWARE RESOURCES INC. ANY REPRODUCTION IN PART OR AS A WHOLE WITHOUT THE WRITTEN PERMISSION OF HARDWARE RESOURCES INC. IS PROHIBITED.</p> <p>DO NOT SCALE DRAWING</p>	PROJECTION 		DATE: Feb-24-23		
	TOLERANCE UNLESS OTHERWISE SPECIFIED:		UNITS:	DRAWN BY: <i>Hugo.cai</i>	DATE:
	X ±0.20		SIZE:	APPROVED BY:	DATE:
	X.X ±0.10		SHEET:	RELEASE LEVEL:	REVISION:
X.XX ±0.05					
ANGULAR: ±0.5°					


SEE DETAIL A 



DETAIL A
SCALE 1:1

Note:

Material: Iron

 PROPRIETARY AND CONFIDENTIAL THE INFORMATION CONTAINED IN THIS DRAWING IS THE SOLE PROPERTY OF HARDWARE RESOURCES INC. ANY REPRODUCTION IN PART OR AS A WHOLE WITHOUT THE WRITTEN PERMISSION OF HARDWARE RESOURCES INC. IS PROHIBITED.	ITEM#: VMIR-METC-30-BRACKET		MATERIAL:		
	FINISH:		WEIGHT: 9		
	TOLERANCE UNLESS OTHERWISE SPECIFIED: X ±0.20 X.X ±0.10 X.XX ±0.05 ANGULAR: ±0.5°		UNITS:	DRAWN BY: <i>Hugo.cai</i>	DATE: Feb-23-23
	DO NOT SCALE DRAWING	SHEET:	APPROVED BY:	DATE:	REVISION: