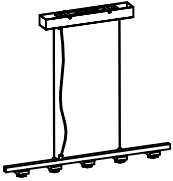
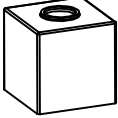
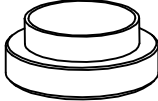
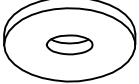






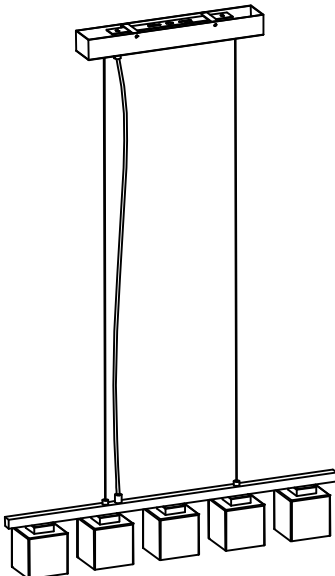
ASSEMBLY INSTRUCTION

5-GLASS CUBE PENDENT LIGHT

A Light Body  1pc	B Glass Shade  5pcs	C Accessory Ø40*16mm  5pcs	D Flat Washer Ø5/32"*12mm  2pcs
E Bolt Ø5/32"*25mm  2pcs	F Wire Connector Ø9.9*17.7mm  2pcs	G Wire Connector Ø8.6*15.2mm  1pc	H Bolt Ø5/32"*32*8mm  4pcs

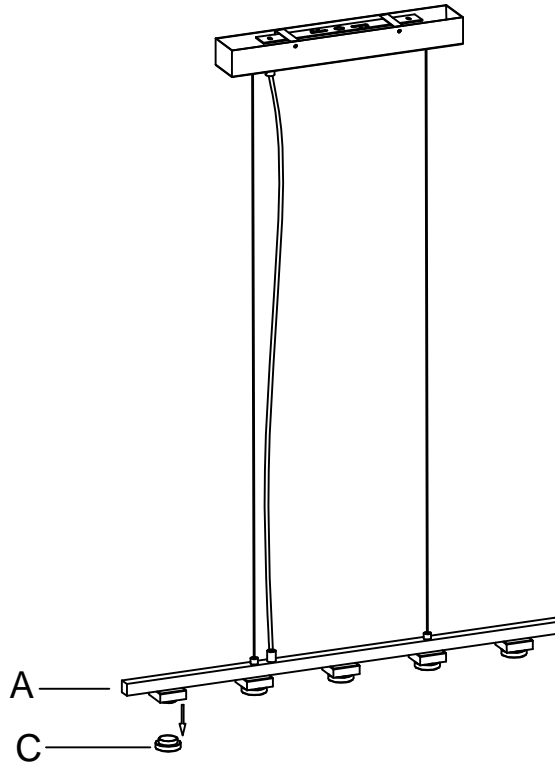
IMPORTANT SAFETY INSTRUCTIONS

THIS PENDANT LAMP HAS A POLARIZED PLUG (ONE BLADE IS WIDER THAN THE OTHER) AS A SAFETY FEATURE TO REDUCE THE RISK OF ELECTRIC SHOCK. THIS PLUG WILL FIT IN A POLARIZED OUTLET ONLY ONE WAY. IF THE PLUG DOES NOT FIT FULLY IN THE OUTLET, REVERSE THE PLUG. IF IT STILL DOES NOT FIT, CONTACT A QUALIFIED ELECTRICIAN. NEVER USE WITH AN EXTENSION CORD UNLESS PLUG CAN BE FULLY INSERTED. DO NOT ALTER THE PLUG.

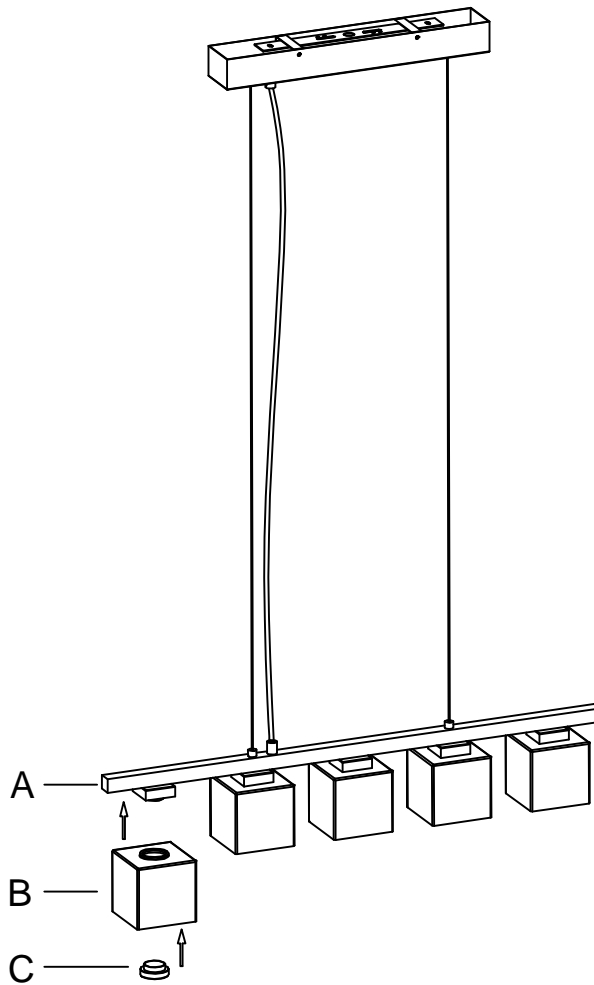


This page lists all the contents included in the box. Please take the time to identify the hardware as well as the individual components to this product. As you unpack and prepare for assembly, place the contents on a carpeted or padded area to protect them from damage.

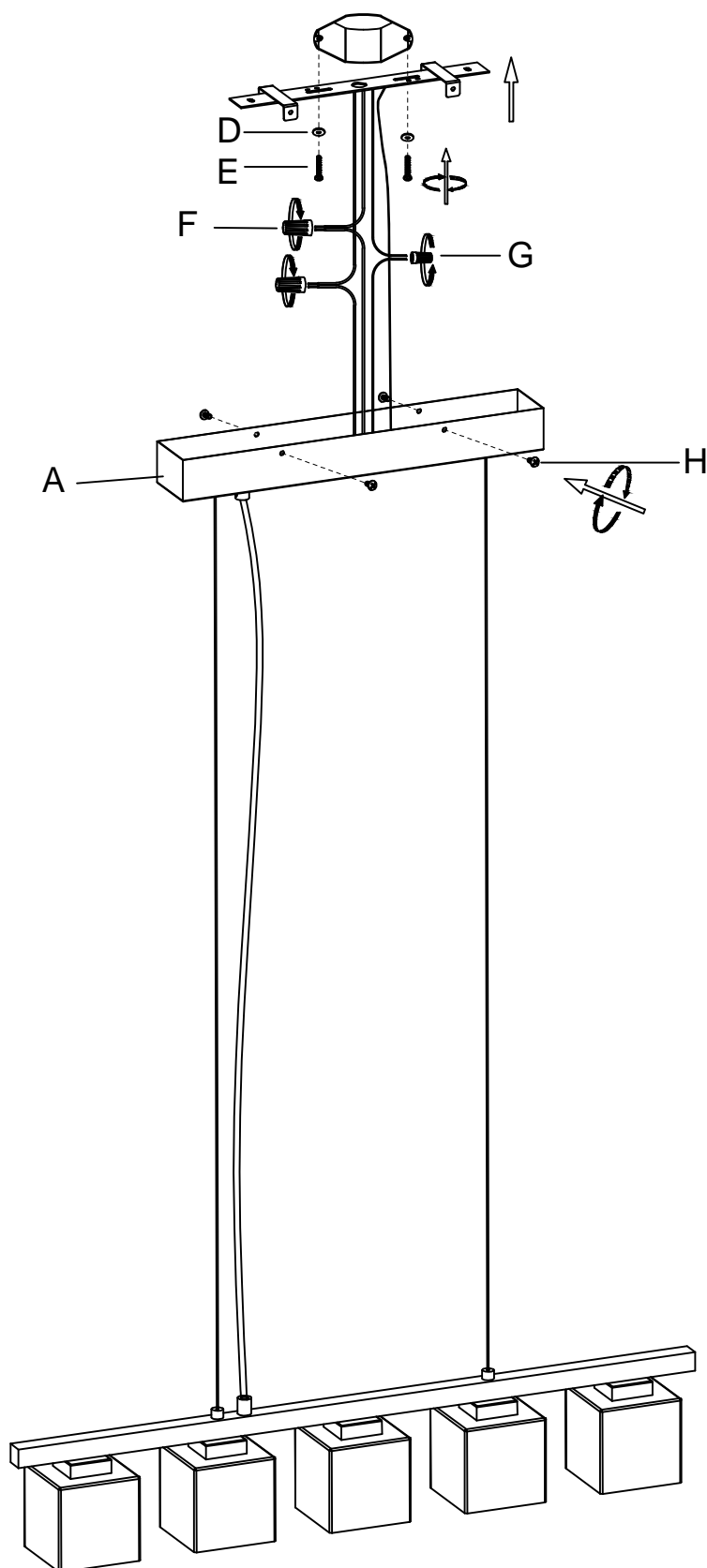
1 Take off the Accessory (C) from Light Body (A).



2 Put Glass Shade (B) on the Light Body (A) and put the Accessory (C) back to tight the Glass Shade (B).



- 3** Firstly, remove the Bolt (H) from the Ceiling Base of Light Body (A), take out the bracket and assemble it to the ceiling using Bolt (E) & Flat Washer (D) by screwdriver. Then connect the Wire Connector (F) and Wire Connector (G) together with cable. Finally, put the ceiling base back to cover the bracket and using Bolt (H) by screwdriver to fix them.



Cleaning & Care

Treat surface with care. Surface is resistant to scratches but is not scratch resistant. Clean surfaces with a dry or damp soft cloth. Do not use abrasive cleaners. Hardware may loosen over time. Periodically check that all connections are tight.