
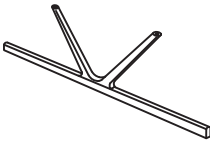
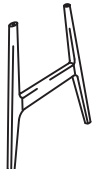
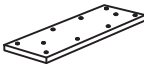
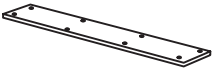






ITEM NAME / NOM D'ITEM : ROVINA DINING TABLE
ITEM # / NO. ITEM : 110508

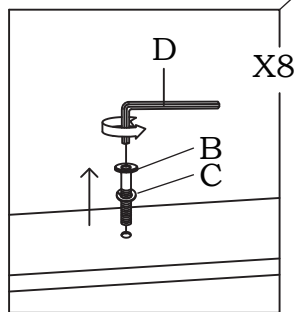
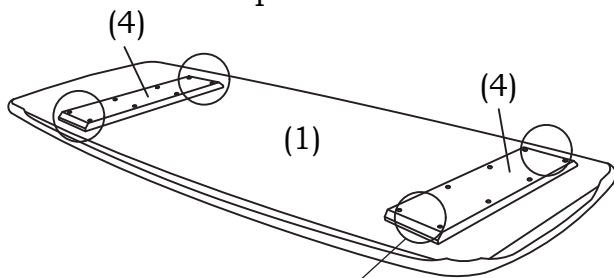
PARTS LIST / LISTE DES PIÈCES

(1)	(2)	(3)	(4)	(5)
				
X1	X1	X2	X2	X1
(6)				
A.  M6 x 45mm	X2	C.  M6	X24	
B.  M6 x 30mm	X22	D.  M4 x 110mm	X1	

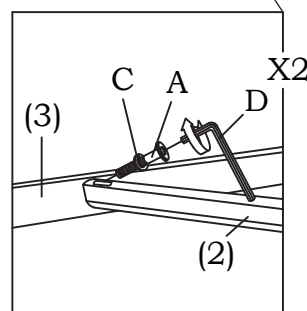
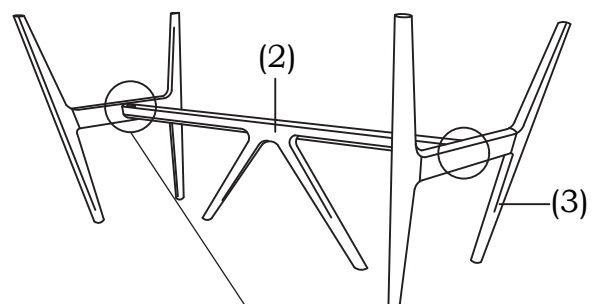
ASSEMBLY INSTRUCTIONS / INSTRUCTIONS D'ASSEMBLAGE

Do not FULLY TIGHTEN the screws or nuts for any step until all are in place.

- I** Remove screw B and spring washer C from part (4) to detach it from part (1). Reserve the eight sets of hardware needed for steps III and IV

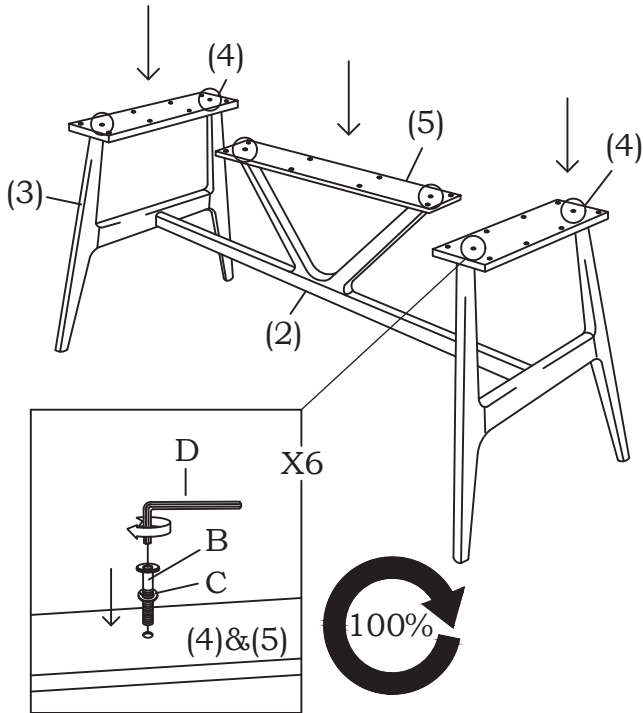


- II** Tighten the hardware to 80% of full tightness, but do not fully tighten it at this step.

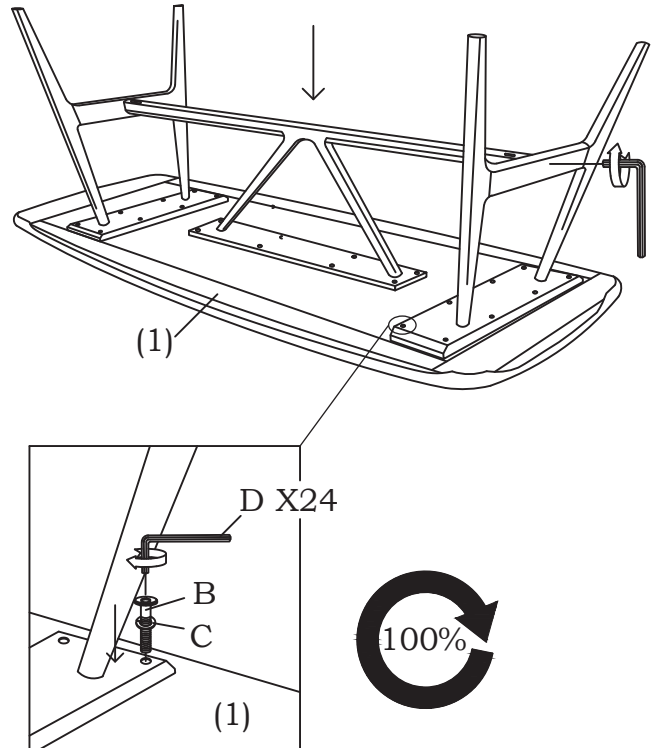


III

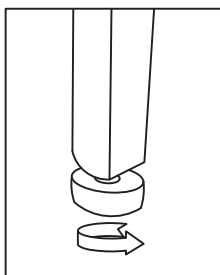
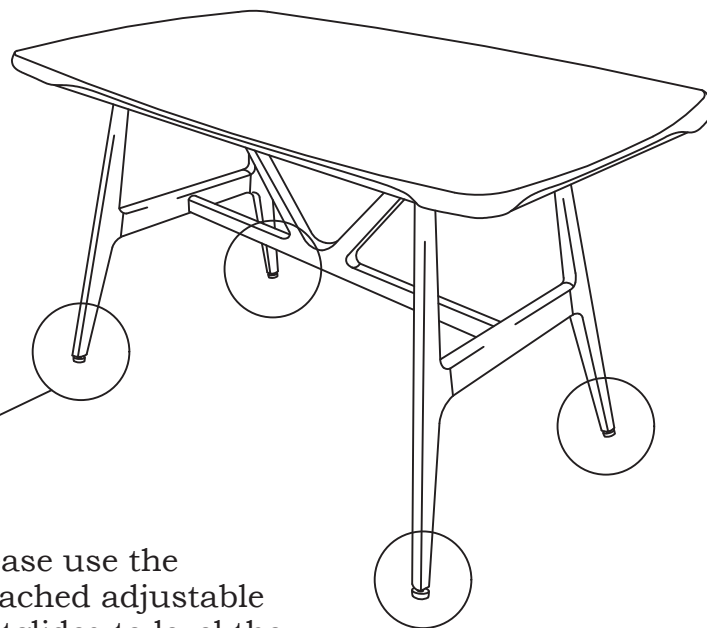
Ensure that all hardware is tightened completely for this step.



IV



V



Please use the attached adjustable footglides to level the table on an uneven surface.

For missing parts or damaged parts, please call /
Pour pièce manquante ou endommagée, veuillez appeler:

USA, Canada and Mexico : (866)798-6663

AI-V1-C008-250124