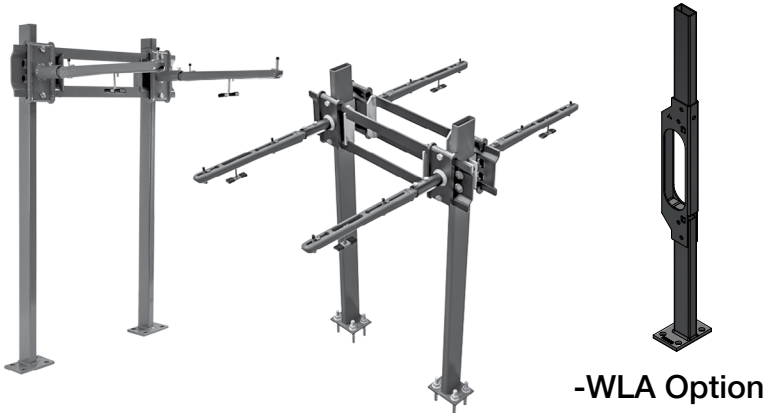


# Installation Instructions

## **TCA-411 / TCA-411-D / TCA-411-WC / TCA-411-D-WC**

Concealed Arm “Track” Lavatory Carriers &  
Back-to-Back Concealed Arm Lavatory Carriers

**Note:** Follow same installation procedures for the following:  
TCA-411-WLA / TCA-411-D-WLA / WCA-411-WLA / WCA-411-D-WLA



-WLA Option

### **⚠ WARNING**



**THINK  
SAFETY  
FIRST**

Read Manual **BEFORE** using this equipment.

Failure to read and follow all safety and use information can result in death, serious personal injury, property damage, or damage to the equipment. Keep this Manual for future reference.

### **⚠ WARNING**

Local building or plumbing codes may require modifications to the information provided. You are required to consult the local building and plumbing codes prior to installation. If the information provided here is not consistent with local building or plumbing codes, the local codes should be followed. This product must be installed by a licensed contractor in accordance with local codes and ordinances.

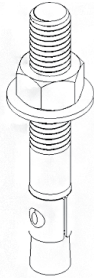
### **NOTICE**

Follow the guidelines listed here for proper installation, operation, and maintenance.

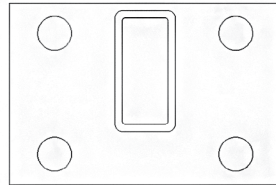
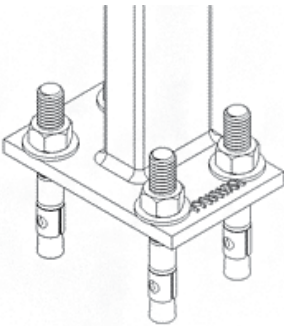
**WATTS®**

## Carrier Installation

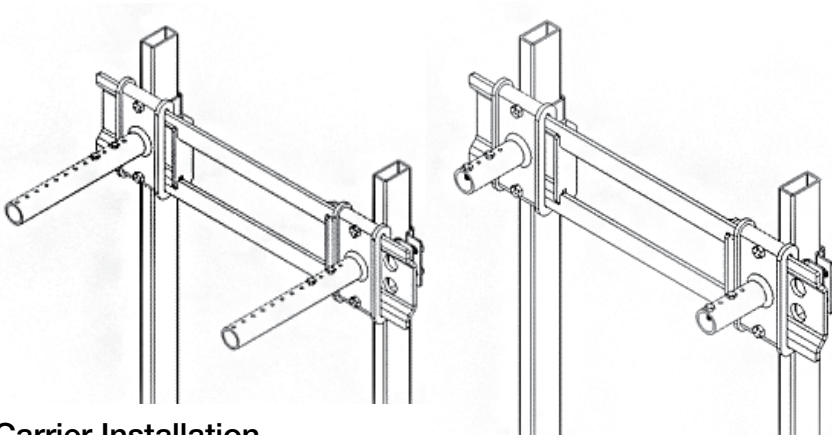
- 1.) Drill holes in concrete and install anchors.
  - a. (4x) 1/2 -13 minimum anchor per foot.
  - b. Ensure minimum pull out force of 975 lbs.



- 2.) Place legs over anchors and secure with corresponding nuts and flat washers.
  - a. Cross plate must be slid onto the legs, but not yet tightened to legs prior to final tightening of each foot. This ensures alignment and ease of assembly.
  - b. Tighten hex nuts (4x) each foot. Ensure concrete anchor is seated and no longer inside bored hole.
  - c. Ensure legs remain square to each other and vertical 90° from floor.

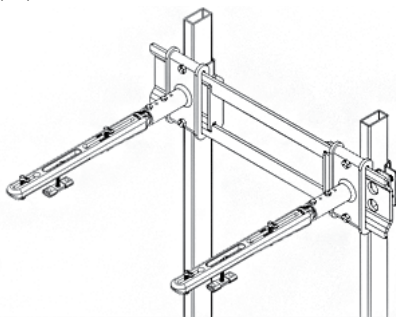


- 3.) Slide the cross plate to desired height.
  - a. Check top plane of plate is level.
  - b. Tighten (4x) 3/8 hex bolts with impact driver until clamp is securely affixed to vertical leg.
- 4.) Slide each arm receiver onto cross plate from each end.
  - a. Tighten (2x) each side 3/8" hex bolt at desired arm width for fixture as required.
- 5.) Insert cast iron arm into arm receiver and check total length against fixture specification sheet.
  - a. Remove cast iron arm from tube.
  - b. Cut off the arm receiver tube to the length required by fixture specification sheet.

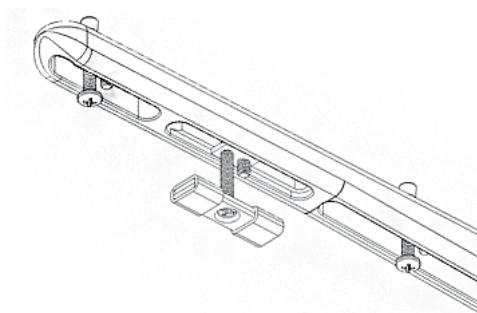


## Carrier Installation

- 6.) Re-install cast iron arm into receiver tube on each side.
  - a. Tighten (2x) each side 1/4-20 hex bolts from hardware package.



- 7.) Slide fixture onto arms.
  - a. Secure using locking tabs as shown.



## **⚠ WARNING**

Need for Periodic Inspection/Maintenance: This product must be tested periodically in compliance with local codes, but at least once per year or more as service conditions warrant. All products must be retested once maintenance has been performed. Corrosive water conditions and/or unauthorized adjustments or repair could render the product ineffective for the service intended. Regular checking and cleaning of the product's internal and external components helps assure maximum life and proper product function.

## **NOTICE**

Inquire with governing authorities for local installation requirements

**Limited Warranty:** Watts Regulator CO. (the "Company") warrants each product to be free from defects in material and workmanship under normal usage for a period of one year from the date of original shipment. In the event of such defects within the warranty period, the Company will, at its option, replace or recondition the product without charge.

**THE WARRANTY SET FORTH HEREIN IS GIVEN EXPRESSLY AND IS THE ONLY WARRANTY GIVEN BY THE COMPANY WITH RESPECT TO THE PRODUCT. THE COMPANY MAKES NO OTHER WARRANTIES, EXPRESS OR IMPLIED. THE COMPANY HEREBY SPECIFICALLY DISCLAIMS ALL OTHER WARRANTIES, EXPRESS OR IMPLIED, INCLUDING BUT NOT LIMITED TO THE IMPLIED WARRANTIES OF MERCHANTABILITY AND FITNESS FOR A PARTICULAR PURPOSE.**

The remedy described in the first paragraph of this warranty shall constitute the sole and exclusive remedy for breach of warranty, and the Company shall not be responsible for any incidental, special or consequential damages, including without limitation, lost profits or the cost of repairing or replacing other property which is damaged if this product does not work properly, other costs resulting from labor charges, delays, vandalism, negligence, fouling caused by foreign material, damage from adverse water conditions, chemical, or any other circumstances over which the Company has no control. This warranty shall be invalidated by any abuse, misuse, misapplication, improper installation or improper maintenance or alteration of the product.

Some States do not allow limitations on how long an implied warranty lasts, and some States do not allow the exclusion or limitation of incidental or consequential damages. Therefore the above limitations may not apply to you. This Limited Warranty gives you specific legal rights, and you may have other rights that vary from State to State. You should consult applicable state laws to determine your rights. **SO FAR AS IS CONSISTENT WITH APPLICABLE STATE LAW, ANY IMPLIED WARRANTIES THAT MAY NOT BE DISCLAIMED, INCLUDING THE IMPLIED WARRANTIES OF MERCHANTABILITY AND FITNESS FOR A PARTICULAR PURPOSE, ARE LIMITED IN DURATION TO ONE YEAR FROM THE DATE OF ORIGINAL SHIPMENT.**



**USA:** T: (800) 338-2581 • Watts.com

**Canada:** T: (888) 208-8927 • Watts.ca

**Latin America:** T: (52) 55-4122-0138 • Watts.com