

DGD4

4" Gimbal Recessed LED Downlight

Product Description

The DGD LED Downlight Gimbal Series offers a line of gimbal downlights that simplify installing tailored lighting in challenging locations. The high performing light engine with off-board driver allows for more flexible installations and increased lifetime with improved thermal management. The DGD fixture uses a plenum-rated cable connector to link the downlight module to the remote driver box and then pops into place with its adjustable, spring-loaded retention tabs for a secure fit, eliminating the need for a J-box or recessed housing. Adding directional lighting for architectural accent in areas such as living rooms, hallways, stairways and corridors is now easier than ever.

Construction

- Cast aluminum trim routes heat away from electrical components
- Adjustable, spring loaded retention tabs ensure secure fixture retention
- Certified for direct contact with insulation

Optical System

- COB with greater than 90 CRI and an R9 greater than 50
- TIR optic provides smooth, uniform light with a 43° beam angle
- 32° Tilt with 360° rotation

Electrical

- Off-board driver minimizes installation height and maximizes fixture life through improved heat management
- 120V input to driver
- Dimmable to less than 5% with compatible TRIAC dimmers
- Operating temperature rating of 0°F to 120°F (-18°C to 49°C)
- Lifetime rated for greater than 60,000 hours
- LM-79, LM-80 testing performed in accordance with IESNA standards

Finish

- Exterior white powder coat finish
- Also available in Black, Oil-Rubbed Bronze and Nickel

Installation

- Spring loaded retention arms allow for easy installation into ceilings up to 1" thick with no need for a recessed housing
- Off-board driver/junction box includes three 1/2" KOs and three-port poke-in connectors
- Extension power cables (2', 10', 20') available
- Suitable for wet locations

Warranty

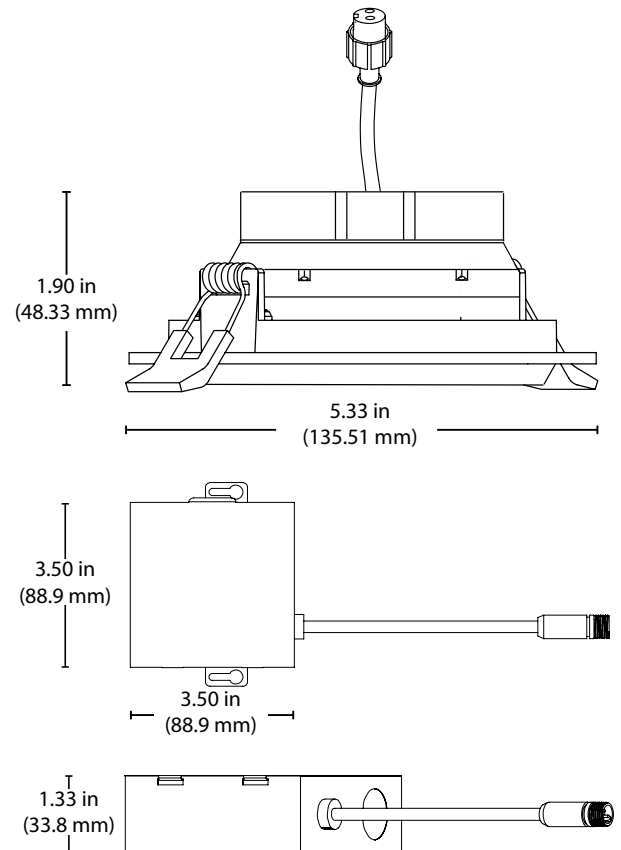
- 5-year limited system warranty standard
- Warranty does not cover product failure due to an overvoltage event (power surge)
- For installations where power surge may be possible, NICOR recommends installing additional surge protection at the electrical distribution panel

Project

Catalog

Type

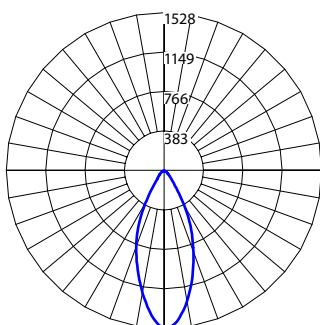
Date



Photometric Data

DGD4 2700K

Input Voltage (VAC)	120V
System Level Power (W)	11.6
Delivered Lumens (Lm)	983
System Efficacy (Lm/W)	84.7
Correlated Color Temp (K)	2756
Color Rendering Index (CRI)	92
Beam Angle	43°
Spacing Criteria	0.61



Intensity Summary (Candle Power)

Angle	Mean CP
0	1528
5	1445
15	1039
25	609
35	208
45	83
55	45
65	25
75	15
85	5
90	0

CCT Data Multiplier

DGD411203KRD	1.029
DGD411204KRD	1.056
DGD411205KRD	1.078

Cone of Light Tabulation

Mounted height (Feet)	Footcandles Beam Center	Diameter (Feet)
4	95.5	3.1
6	45.5	4.7
8	23.9	6.3
10	15.3	7.8
12	10.6	9.4
14	7.8	10.9
16	6.0	12.5

Zonal Lumen Summary

Zone	Lumens	% of Luminaire
0-30	694	70.6%
0-40	831	84.6%
0-60	937	95.3%
0-90	983	100.0%
90-180	0	0.0%
0-180	983	100.0%

Performance Data - Round

Model Number	Lumens	Watts	Lumens/Watt
DGD411202KRD	983	11.6	84.7
DGD411203KRD	1006	11.6	86.7
DGD411204KRD	1038	11.6	89.5
DGD411205KRD	1060	11.6	91.4

Recommended Dimmers*

Lutron DIVA DVELV-303P
Lutron Skylark SELV 300P
Leviton C22-06672-1LW

*Not a complete list.
Check compatibility before installation.

Ordering Information

Example: DGD421203KRDWH

Series	Version	Housing Input Voltage	CCT's	Shape	Trim Color
DGD4	1 (Version 1)	120 (V)	2K (2700K)	RD (Round)	WH (White)
			3K (3000K)		BK (Black)
			4K (4000K)		NK (Nickel)
			5K (5000K)		OB (Oil-Rubbed Bronze)

Specifications and dimensions subject to change without notice.

Accessories

4" Rough In Template	ROUGHIN-TEMPLATE-4
24" Extension Cable	DLE-EXTCABLE-24
10' Extension Cable	DRIVER-EXTCABLE-10
20' Extension Cable	DRIVER-EXTCABLE-20