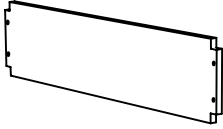


ASSEMBLY INSTRUCTION

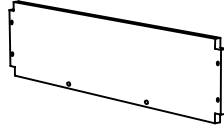
35"W BOOKCASE

A Top Panel



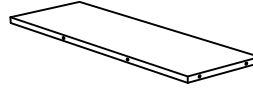
1 pc

B Shelf Panel



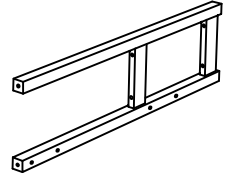
4 pcs

C Back Panel



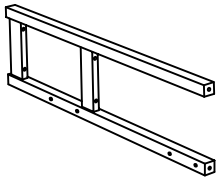
4 pcs

D Upper Leg Frame - Left



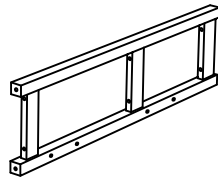
1 pc

E Upper Leg Frame - Right



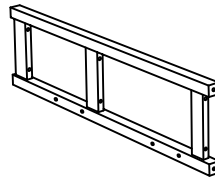
1 pc

F Lower Leg Frame - Left



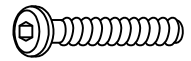
1 pc

G Lower Leg Frame - Right



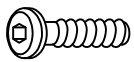
1 pc

H JCBC Screw M6 x 50mm



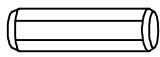
36 pcs

I JCBC Screw M6 x 35mm



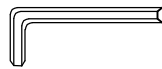
8 pcs

J Wood Dowel M8 x 30mm



4 pcs

K Allen Key M4 x 60mm

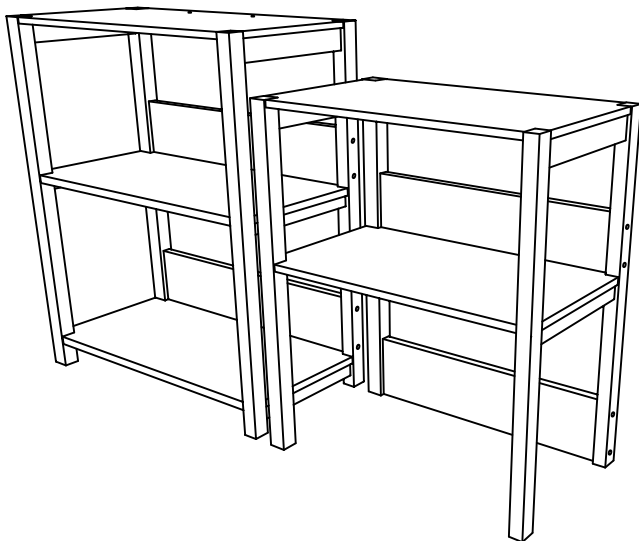


2 pcs

L Anti-Tipping Kit

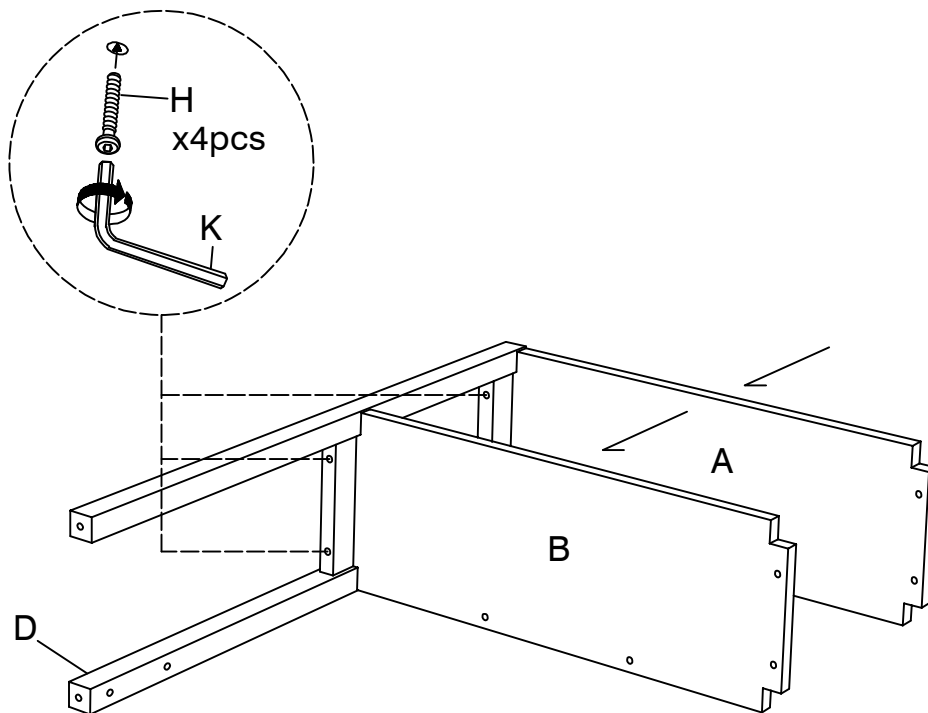


1 set

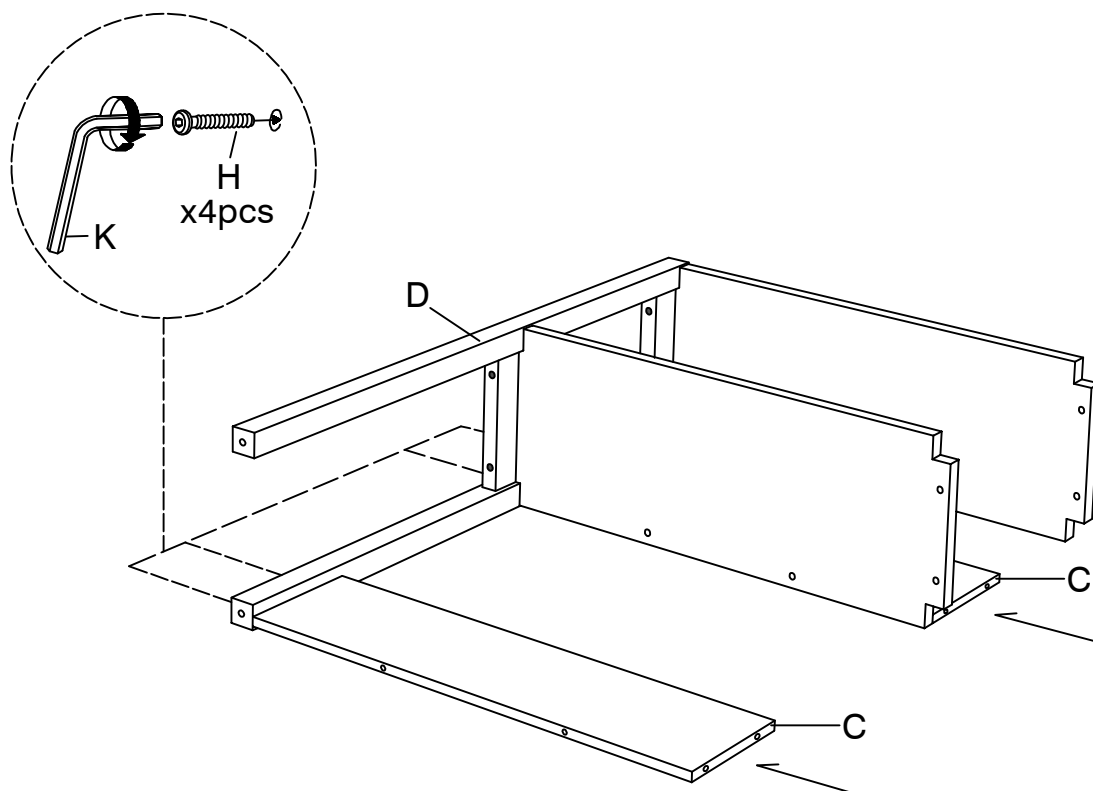


This page lists all the contents included in the box. Please take the time to identify the hardware as well as the individual components to this product. As you unpack and prepare for assembly, place the contents on a carpeted or padded area to protect them from damage.

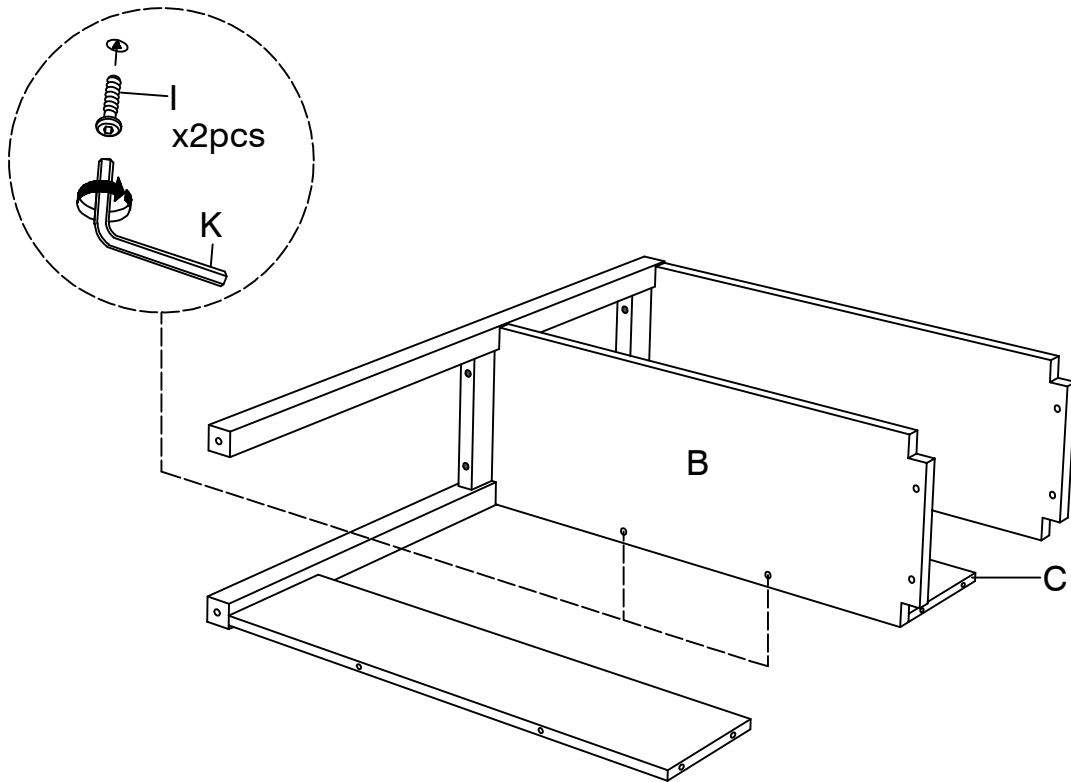
- 1** Put Upper Leg Frame - Left (D) on a soft and smooth surface and attach Top Panel (A) and Shelf Panel (B) using JCBC Screw (H) with Allen Key (K).



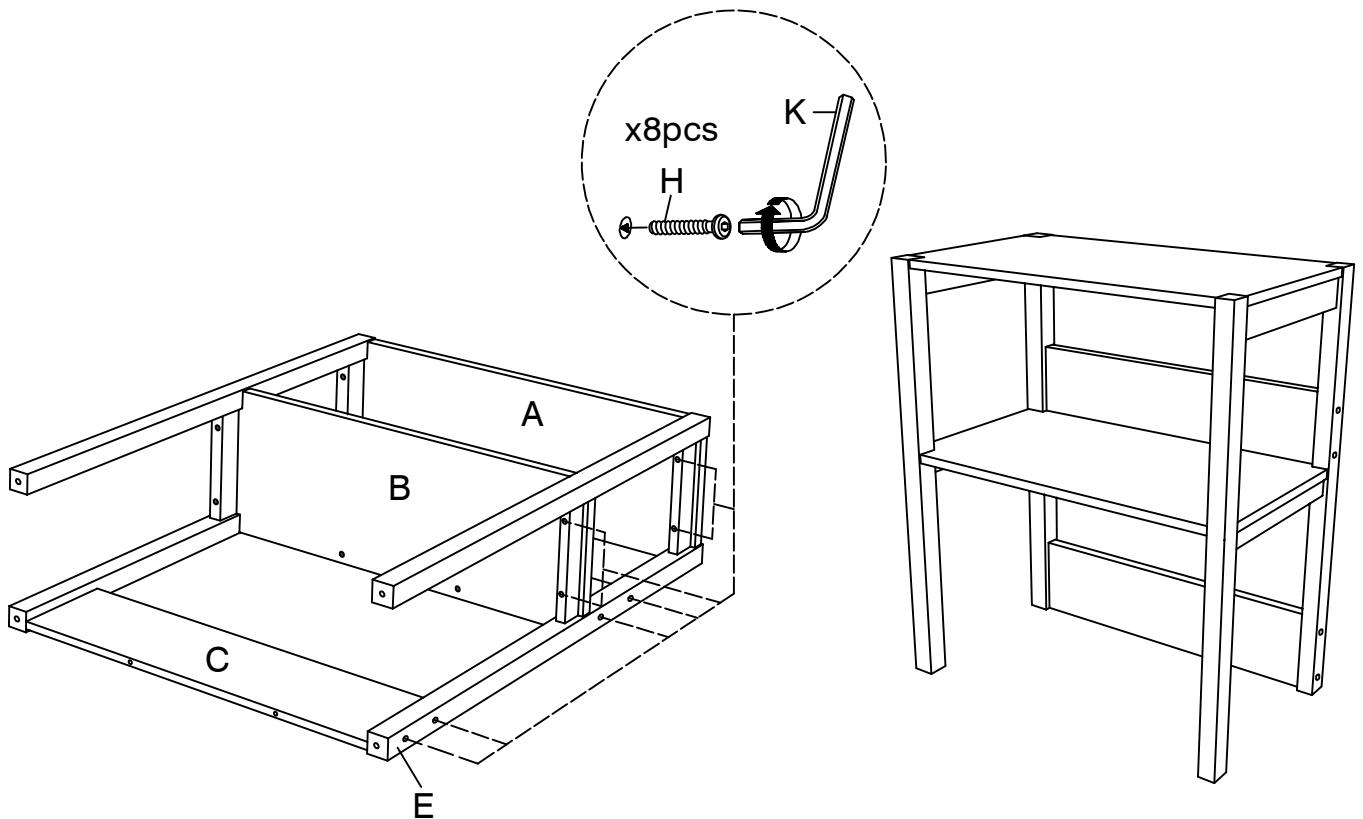
- 2** Attach Back Panel (C) to Upper Leg Frame - Left (D) using JCBC Screw (H) with Allen Key (K).



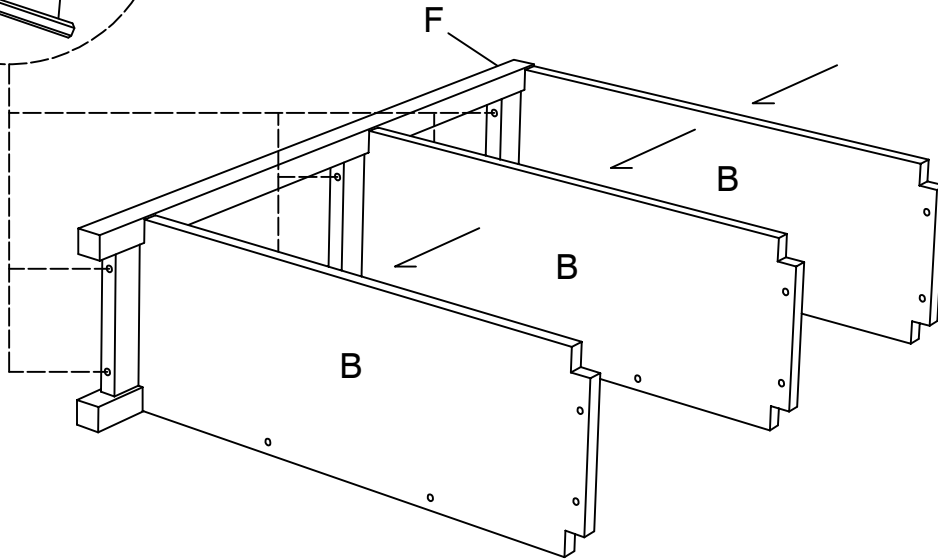
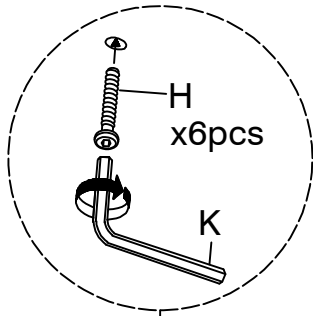
3 Attach Shelf Panel (B) to Back Panel (C) using JCBC Screw (I) with Allen Key (K).



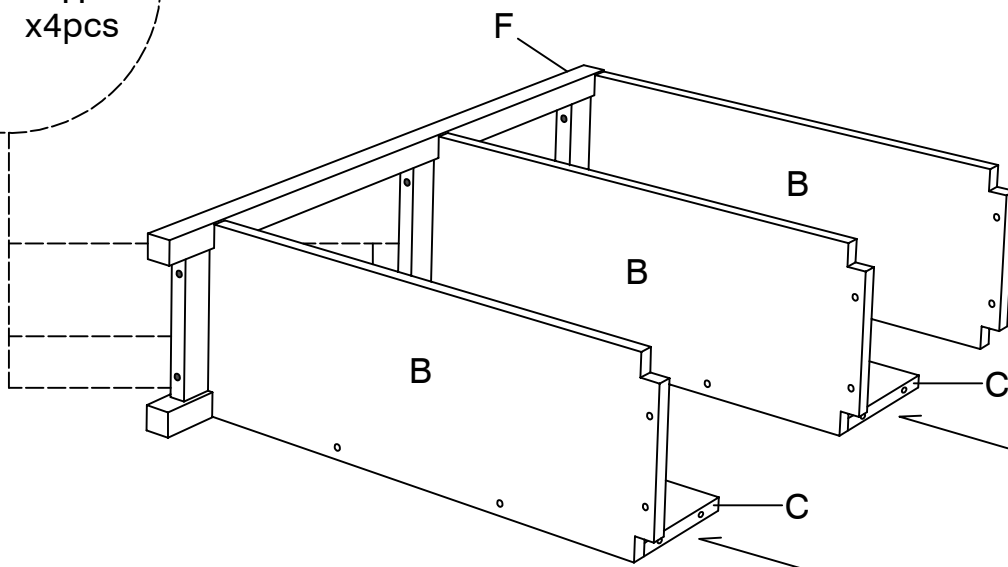
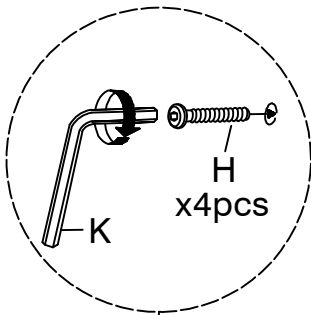
4 Attach Upper Leg Frame - Right (E) to the upper rack assembly using JCBC Screw (H) with Allen Key (K). Upper Rack is completed.



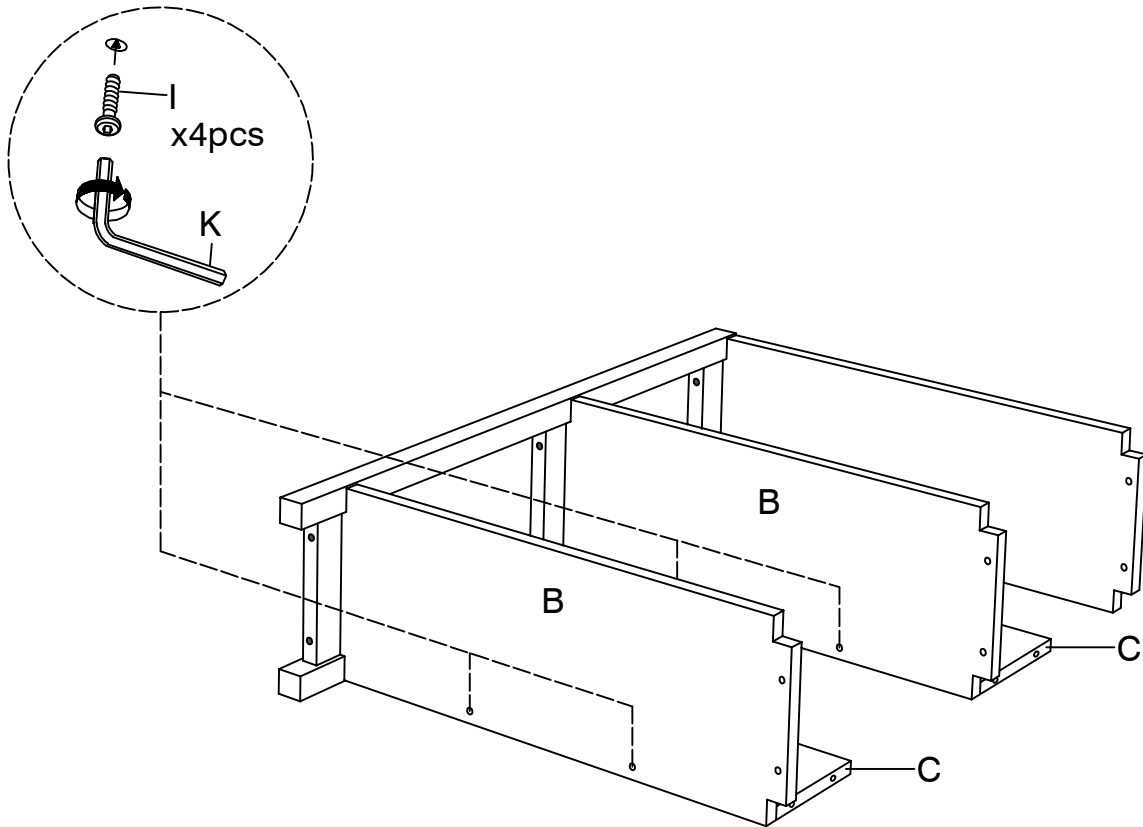
- 5** Put Lower Leg Frame - Left (F) on a soft and smooth surface and attach Shelf Panel (B) using JCBC Screw (H) with Allen Key (K).



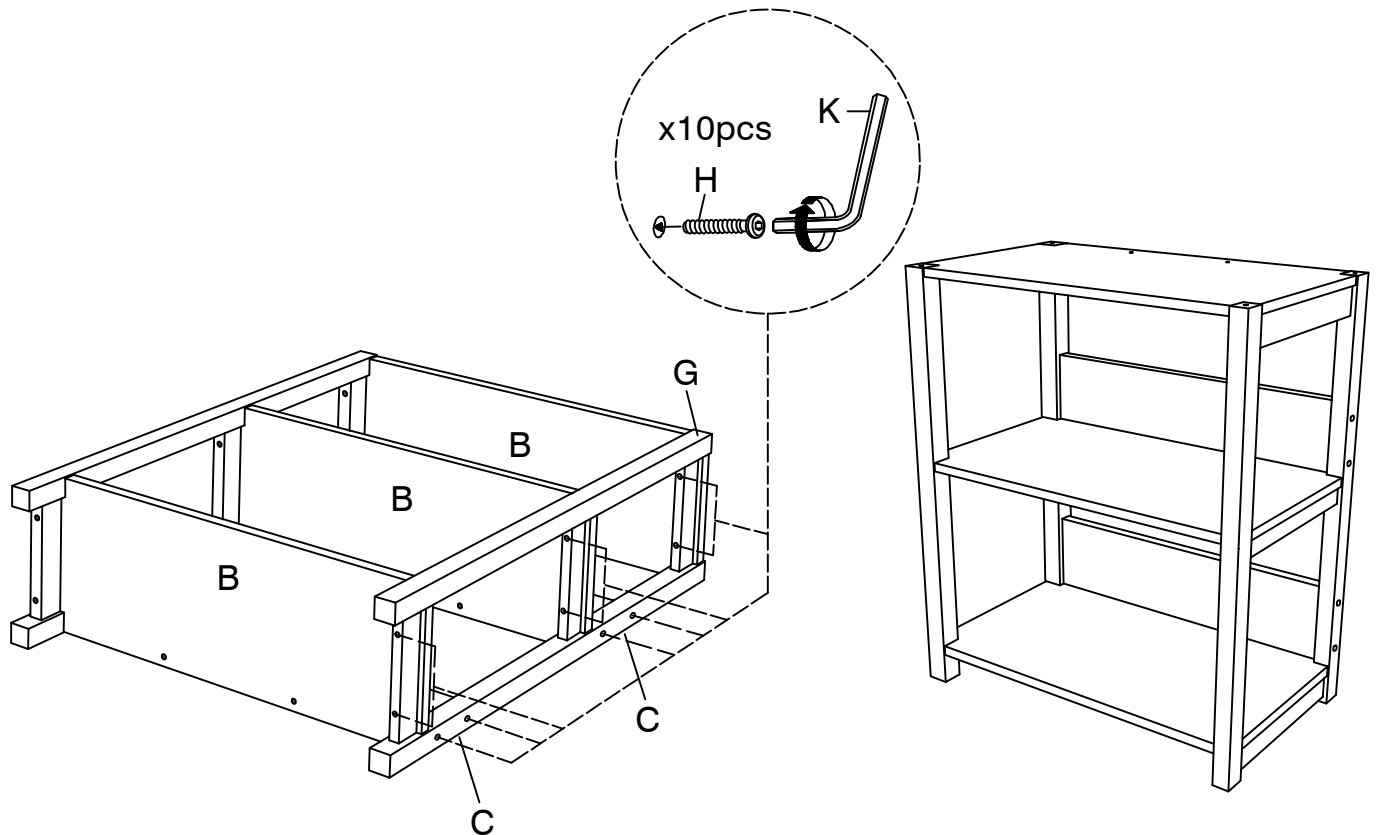
- 6** Attach Back Panel (C) to Lower Leg Frame - Left (F) using JCBC Screw (H) with Allen Key (K).



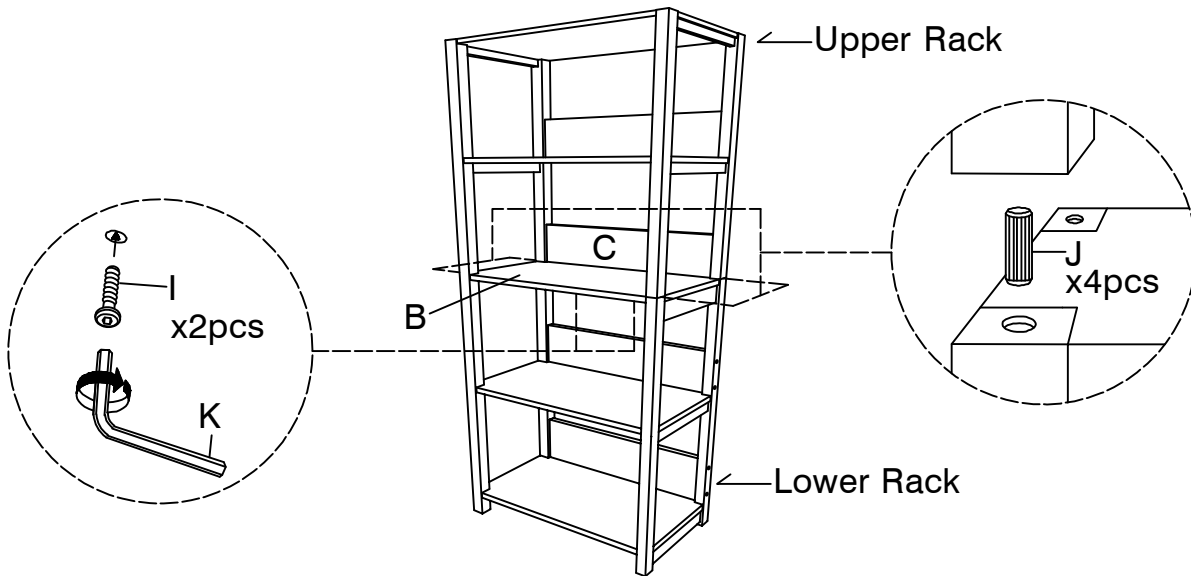
7 Attach Shelf Panel (B) to Back Panel (C) using JCBC Screw (I) with Allen Key (K).



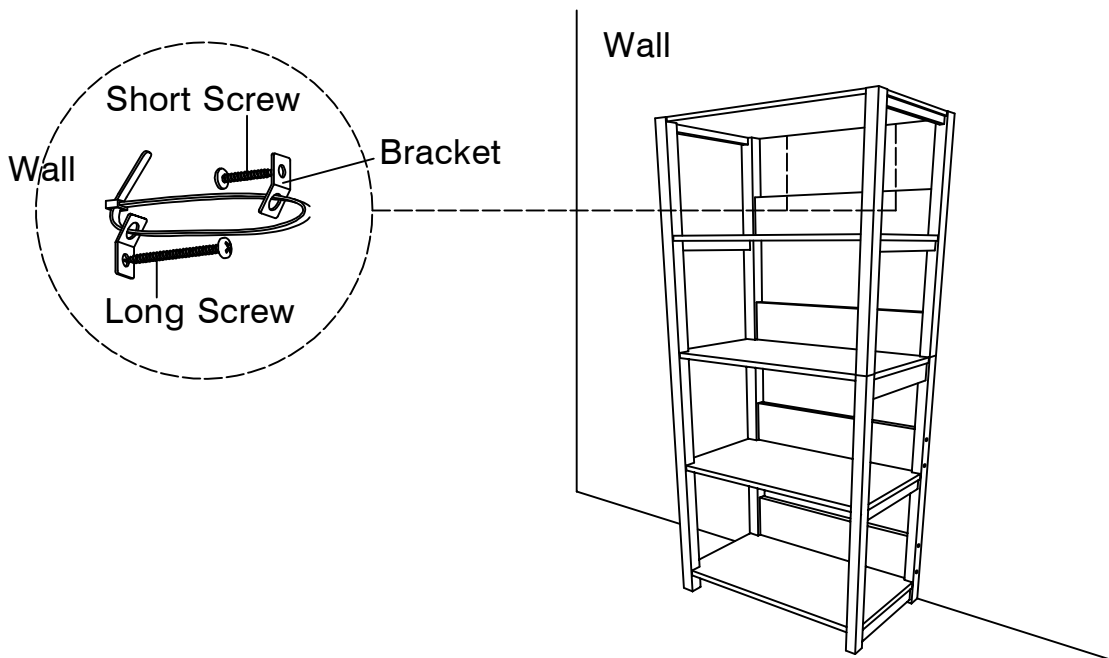
8 Attach Lower Leg Frame - Right (G) to the lower rack assembly using JCBC Screw (H) with Allen Key (K). Lower Rack is completed.



- 9** Insert Wood Dowel (J) into the predrilled holes of the Lower Rack. Attach the Upper & Lower Rack using JCBC Screw (I) with Allen Key (K).



- 10** Attach Anti-Tipping Kit (L) to wall. Attach Bracket (vertically) to wall using the Long Screw provided. Attach Bracket (vertically) to furniture back (directly below top) with Short Screw. Place Bracket as close to center of furniture back as possible in relation to wall stud and the desired position in the room. Move furniture to its final position. Thread the strap through Bracket, and pull it tight.



Cleaning & Care

Treat surfaces with care. Surfaces are resistant to scratches but are not scratch resistant. Clean surfaces with a dry or damp soft cloth. Do not use abrasive cleaners. Hardware may loosen over time. Periodically check that all connections are tight.