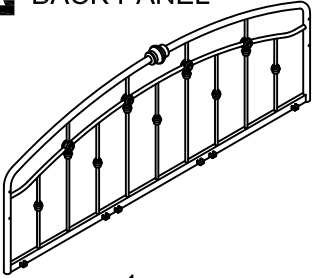


ASSEMBLY INSTRUCTION

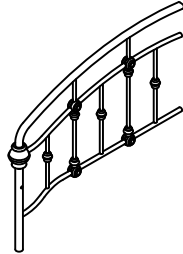
MATTE BLACK DAYBED

A BACK PANEL



1pc

B SIDE PANEL



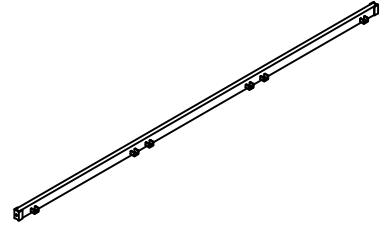
2pcs

C EXTENSION LEG



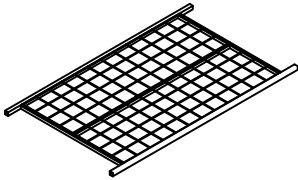
2pcs

D RAIL



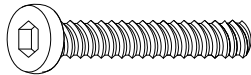
1pc

E MATTRESS FRAME



3pcs

F BOLT
5/16",51MM



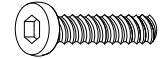
2pcs

G BOLT
1/4",48MM



6pcs

H BOLT
1/4",16MM



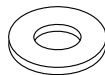
12pcs

I WASHER



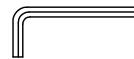
2pcs

J FLAT WASHER



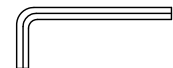
12pcs

K ALLEN WRENCH
4x4MM

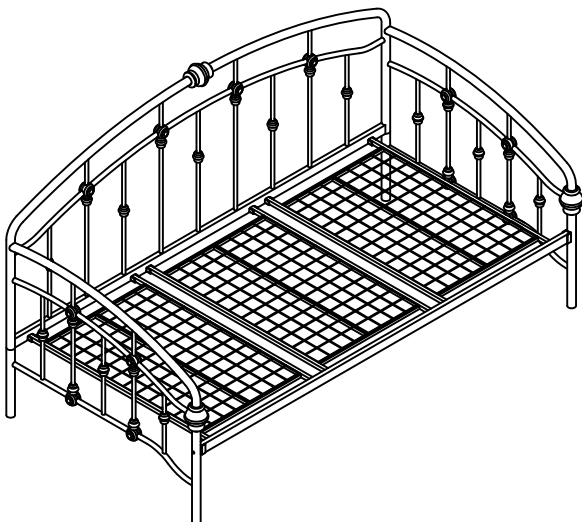


1pc

L ALLEN WRENCH
5x5MM



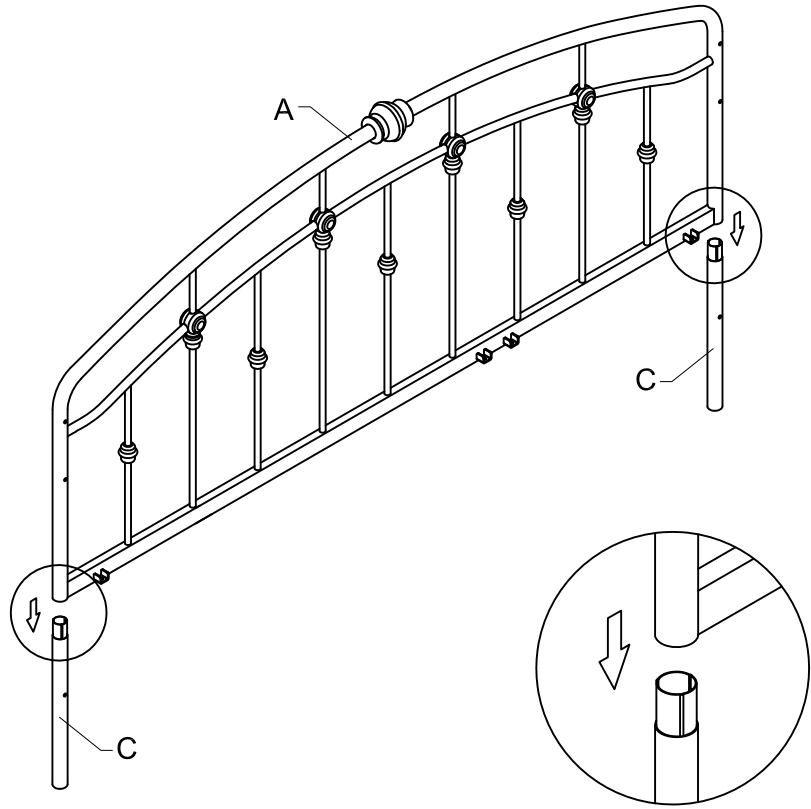
1pc



This page lists all the contents included in the box. Please take the time to identify the hardware as well as the individual components to this product. As you unpack and prepare for assembly, place the contents on a carpeted or padded area to protect them from damage.

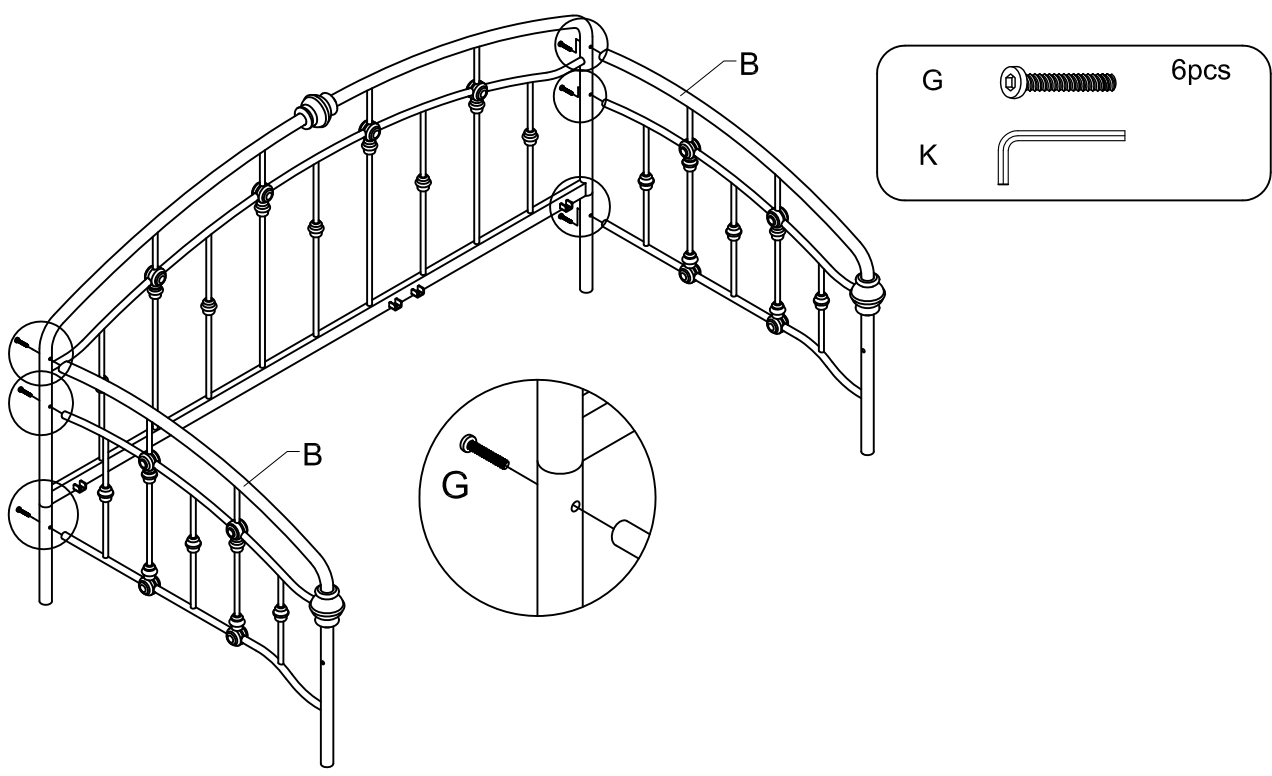
1

Assemble the back panel (A) to the extension leg (C).

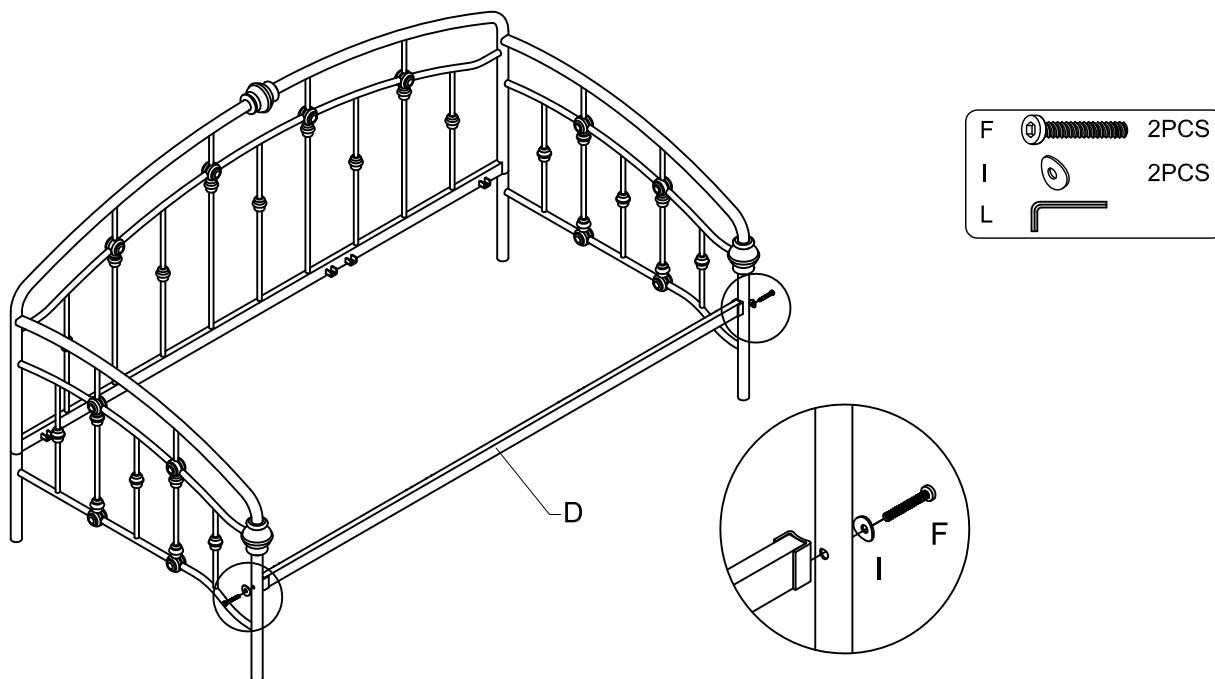


2

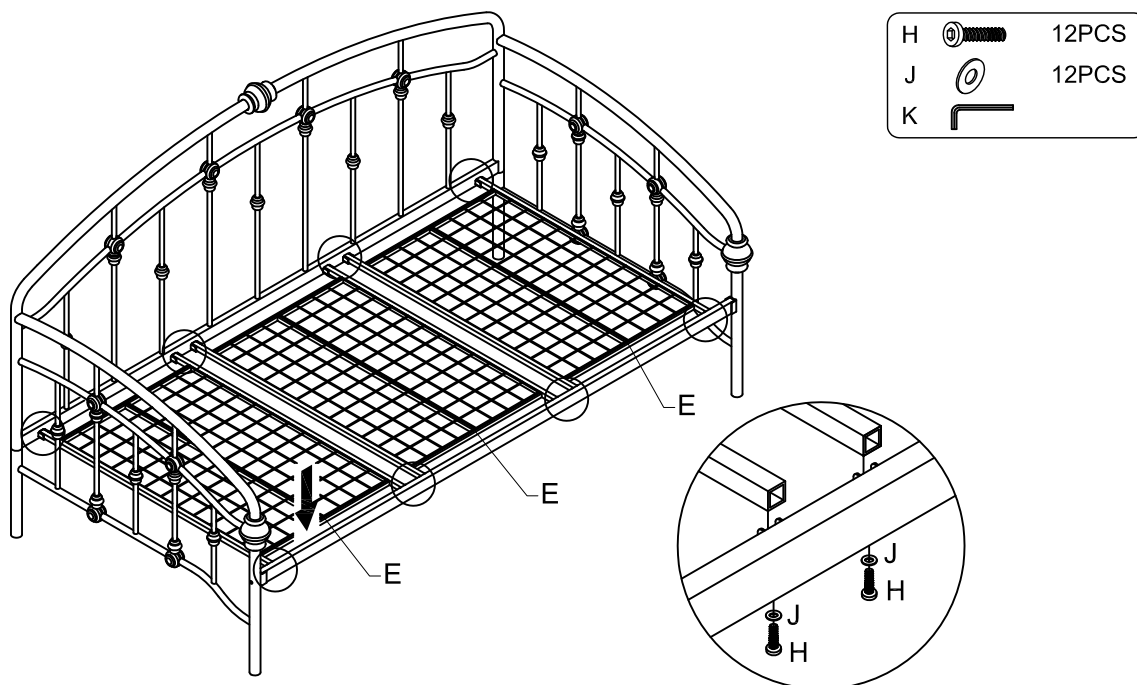
Assemble the back panel (A) to the side panel (B) with 6 pcs Bolt (G) and fastened using allen wrench (K).



3 Assemble the rail (D) to the side panel (B) with 2pcs bolt (F), and 2pcs flat washer (I) then fastened using allen wrench (L).



4 Assemble the mattress frame (E) with 12pcs bolt (H) and 12 pcs flat washer (J) then fastened using allen wrench (K).



Cleaning & Care

Treat surface with care. Surface is resistant to scratches but is not scratch resistant. Clean surfaces with a dry or damp soft cloth. Do not use abrasive cleaners. Hardware may loosen over time. Periodically check that all connections are tight.