

KALLISTA®

Central Park West® by Robert A.M. Stern Architects

Freestanding, floor-mount bath faucet, less handshower

P20511-00

Features

- High-quality solid-brass construction for durability and reliability
- Floor-mount, single hole installation
- 12-1/4" (311mm) spout reach
- Required mounting block sold separately (P20511-00-NA)
- Required handshower sold separately
- Includes integral valve
- Includes hardware kit and escutcheon

Required Products/Accessories

P20511-00 Multi-faucet mounting block

or

P24843-00 Wand Dual-Function Handshower with Hose

Recommended Products/Accessories

P30801-00 4" cabinet pull

P31426-00 Hook

P21222-LV Sink faucet, tall spout, lever handles



Codes/Standards

ASME A112.18.1/CSA B125.1

NOM Standards




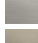



NOM 012-CONAGUA

KALLISTA® Five-Year Limited Warranty

See website for detailed warranty information.

Available Colors/Finishes

Color tiles intended for reference only.

Color	Code	Description
	CP	Polished Chrome
	ULB	Unlacquered Brass
	BAF	Brushed French Gold
	BN	Brushed Nickel
	BV	Brushed Bronze
	SN	Polished Nickel
	2MB	Brushed Moderne Brass

1-888-4-KALLISTA (1-888-452-5547)

Kallista reserves the right to make revisions without notice to product specifications.

For the most current Specification Sheet, go to www.kallista.com.

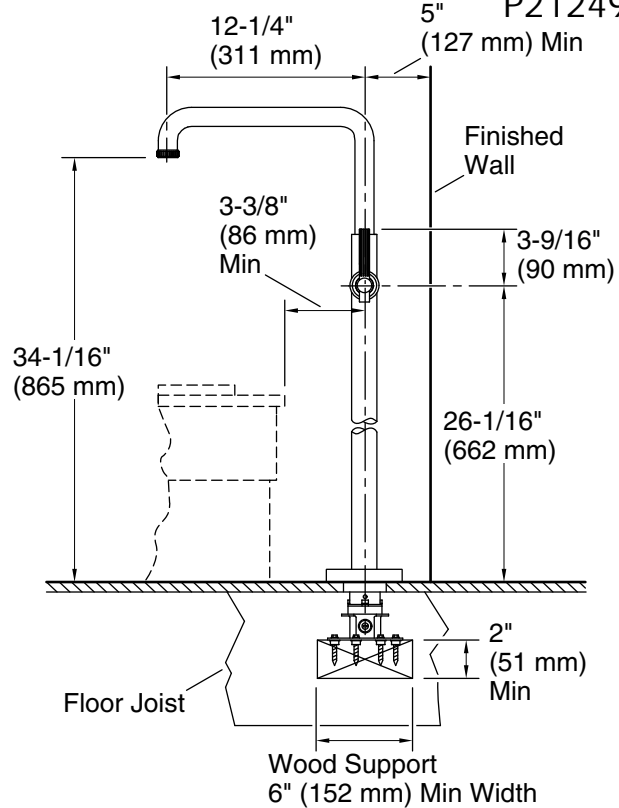
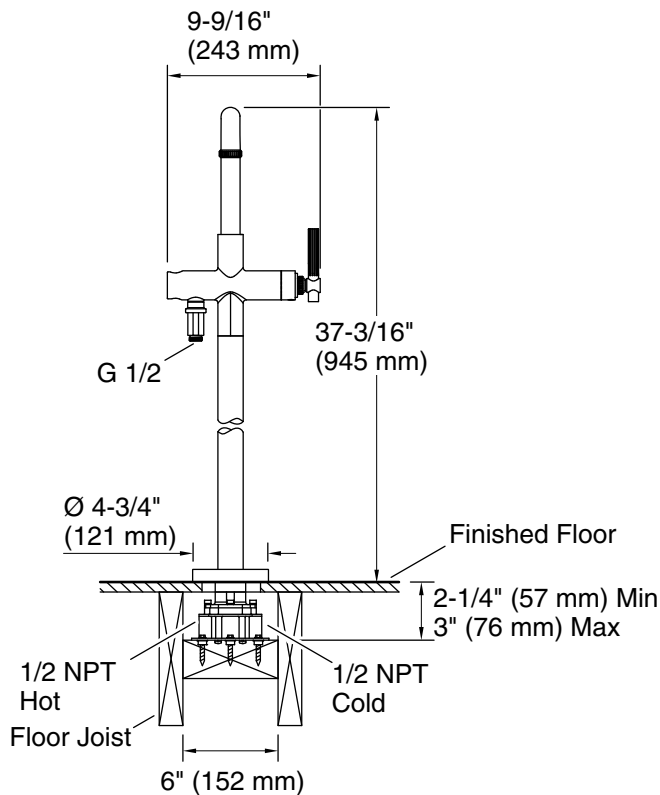
3-7-2026 19:58 - US

KALLISTA

Central Park West® by Robert A.M. Stern Architects

Freestanding, floor-mount bath faucet, less handshower

P21249-00



Technical Information

All product dimensions are nominal.

Faucet flow rate: 8 gal/min (30.3 l/min)

Spout:

Spout reach: 11-7/8" (302 mm)

Notes

Install this product according to the installation guide.

Adequate floor support is required. The wood support must be a minimum of 2" (51 mm) thick by 6" (152 mm) wide. 2x6 lumber is NOT adequate for this application.

Concrete can be used as the floor support. Requires a 3/16" masonry drill bit and six 1/4" x 1-3/4" concrete screws, which are not included.