

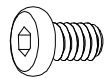
ASSEMBLY INSTRUCTION

RAILINGS COCKTAIL TABLE

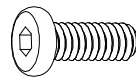
A Allen Wrench **B** Short Bolt **C** Long Bolt **D** Spring Washer



1PC



4PCS



8PCS

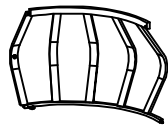


4PCS

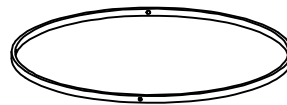
E Flat Washer **F** Metal Base **G** Shelf Panel **H** Wood Top



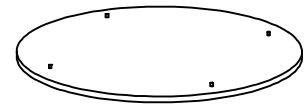
4PCS



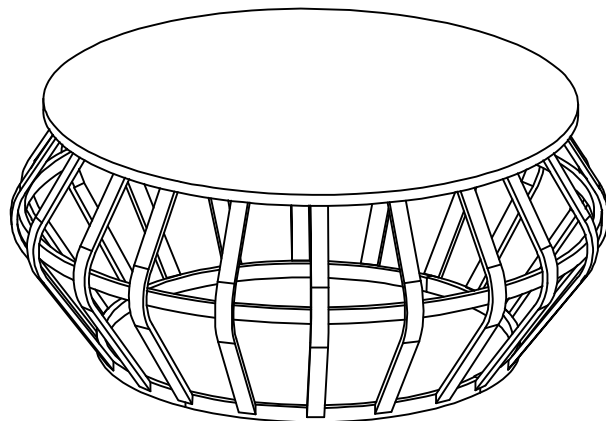
4PCS



1PC

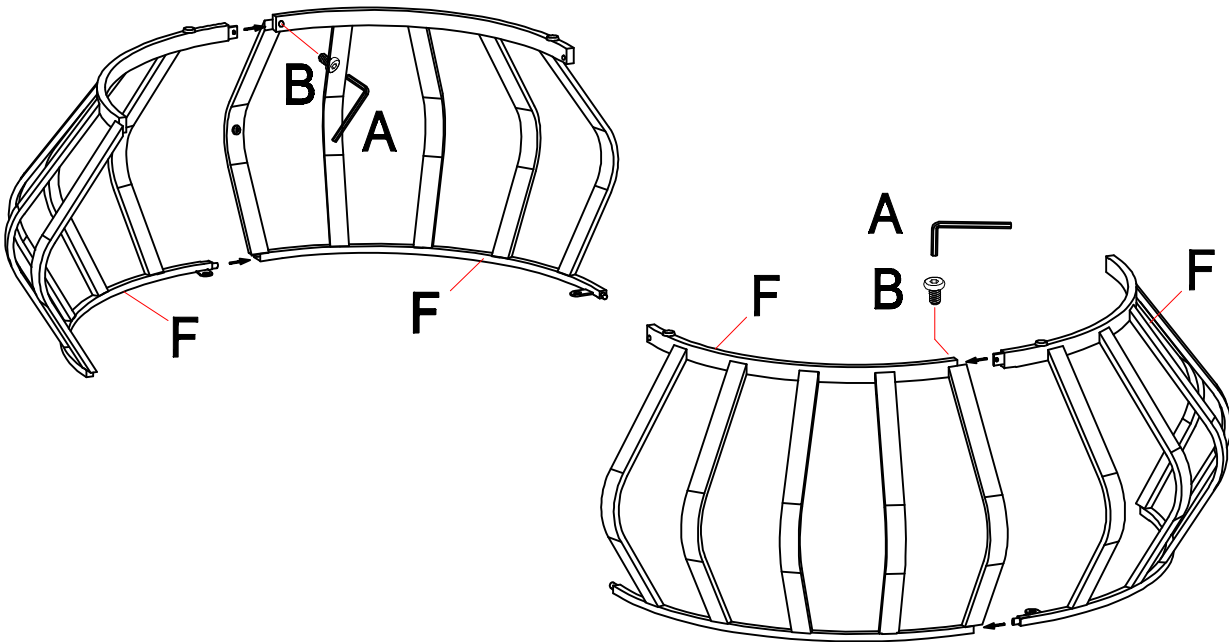


1PC

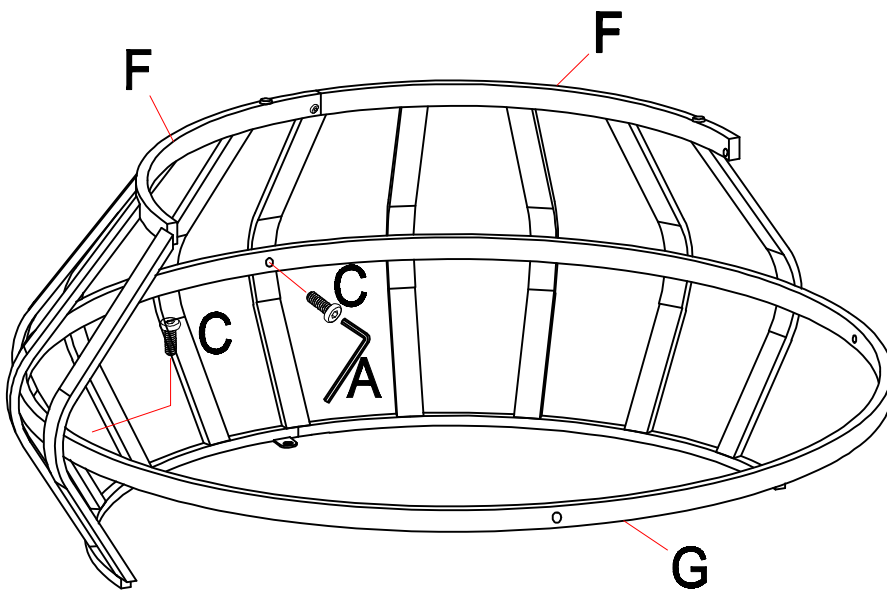


This page lists all the contents included in the box. Please take the time to identify the hardware as well as the individual components to this product. As you unpack and prepare for assembly, place the contents on a carpeted or padded area to protect them from damage.

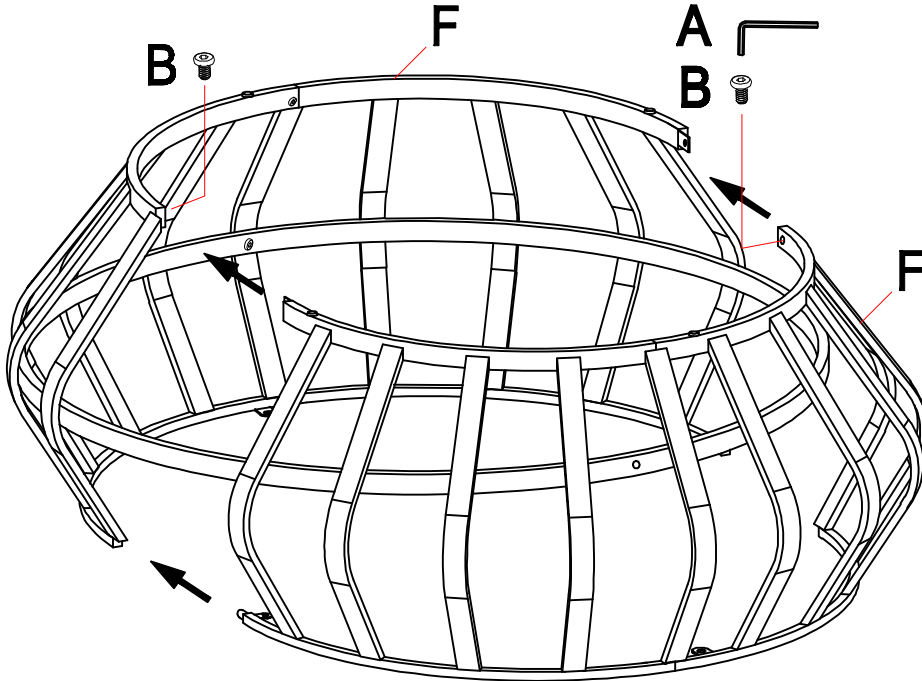
-
- 1** Assembly the Metal Base(F) onto the another Metal Base(F), then using the Short Bolt(B) by Allen Wrench(A).



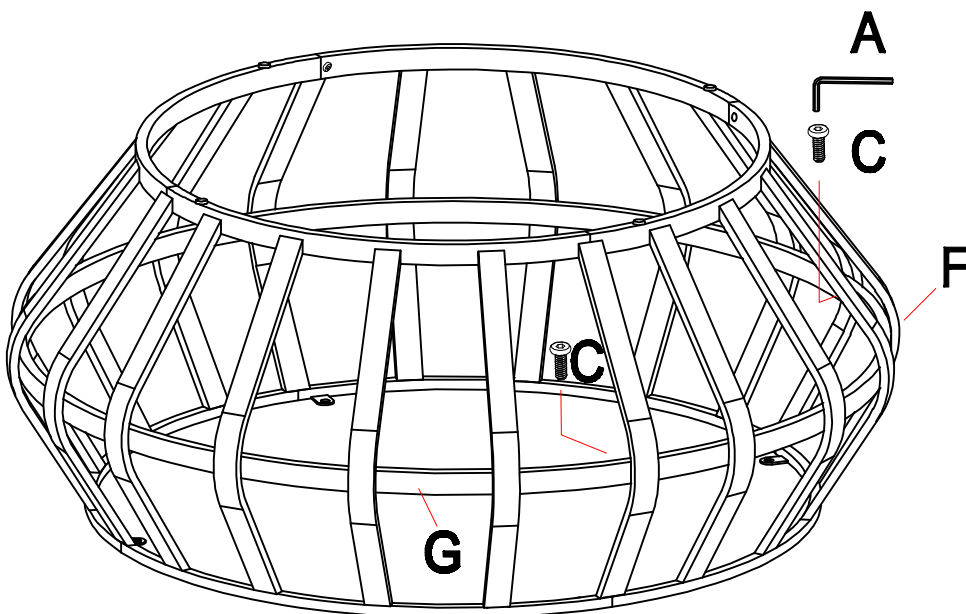
-
- 2** Assembly the Shelf Panel(G) onto the Metal Base(F), then using the Long Bolt(C) by Allen Wrench(A).



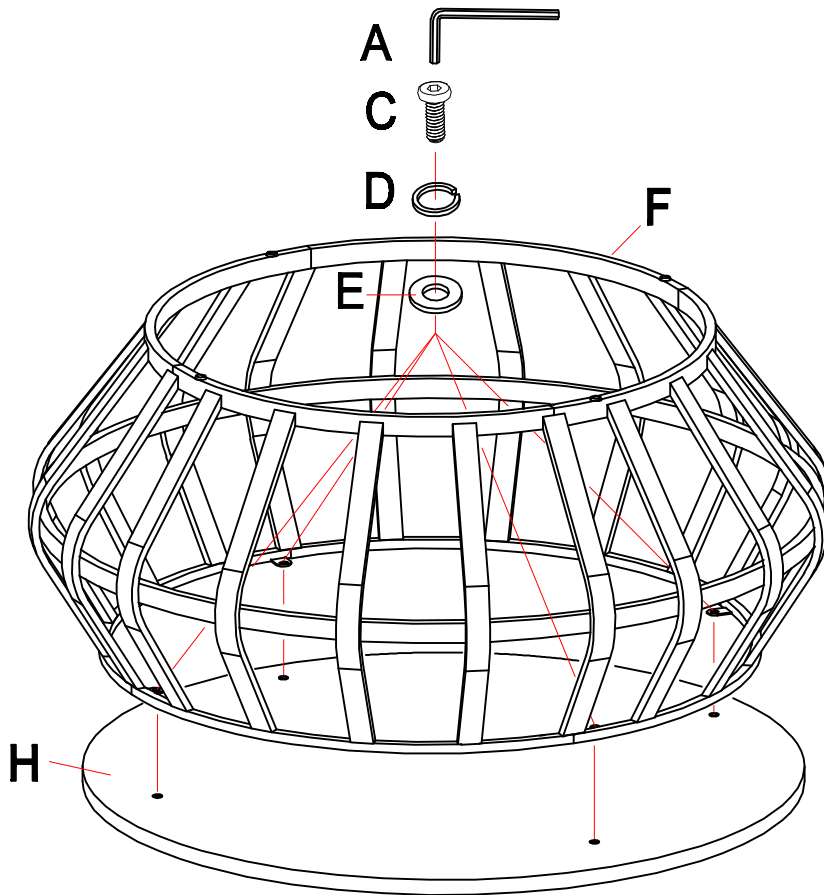
-
- 3** Assembly the Metal Base(F) onto the another Metal Base(F), then using the Short Bolt(B) by Allen Wrench(A).



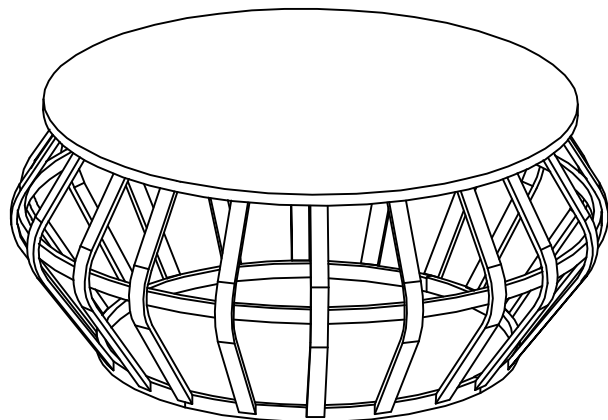
-
- 4** Assembly the Shelf Panel(G) onto the Metal Base(F), then using the Long Bolt(C) by Allen Wrench(A).



-
- 5** Assemble the Metal Base(F) onto the Wood Top(H), then using the Long Bolt(C), Spring Washer(D) and Flat Washer(E) by Allen Wrench(A).



-
- 6** The assembly is complete



Cleaning & Care

Treat surface with care. Surface is resistant to scratches but is not scratch resistant. Clean surfaces with a dry or damp soft cloth. Do not use abrasive cleaners. Hardware may loosen over time. Periodically check that all connections are tight.