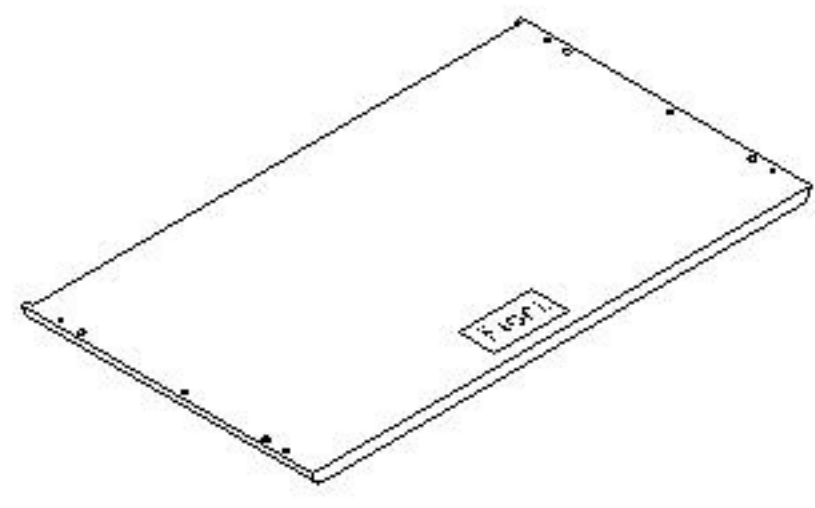


# ASSEMBLY INSTRUCTION

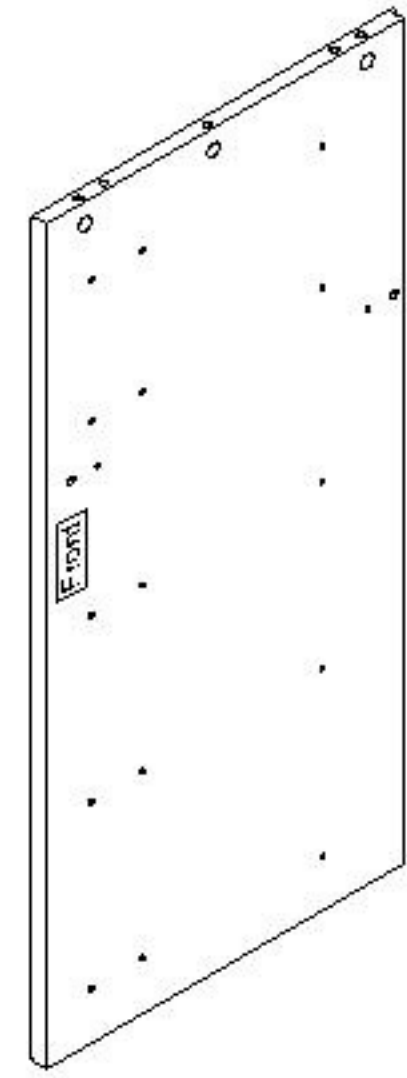
## 5-DRAWER CHEST

**A** Top Panel



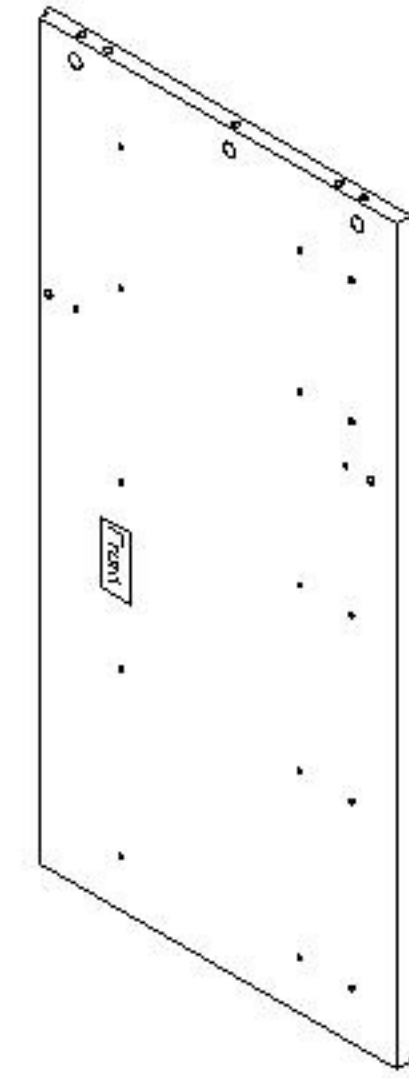
1pc

**B** Left Side Panel



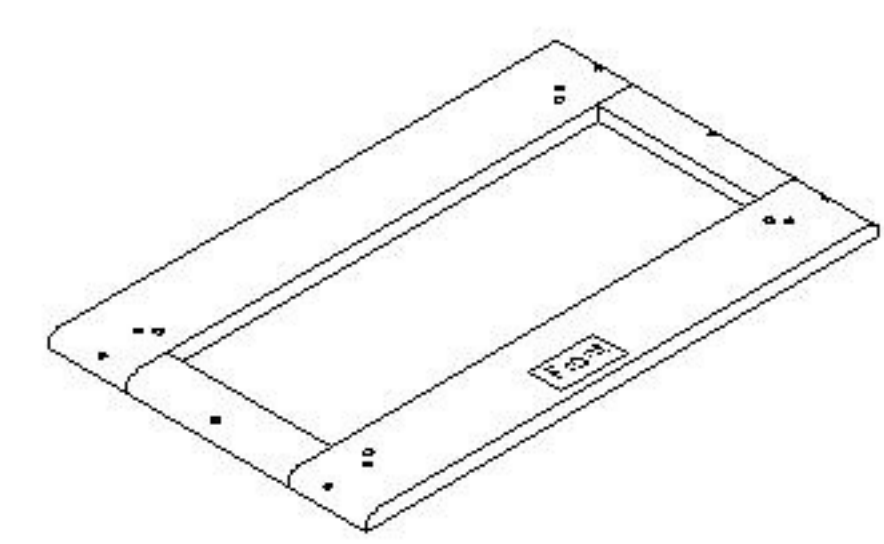
1pc

**C** Right Side Panel



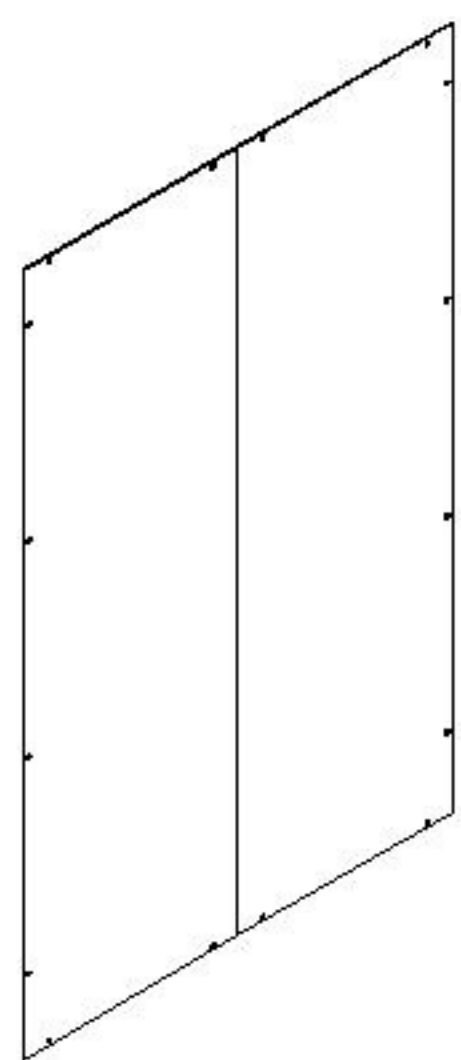
1pc

**D** Bottom Frame



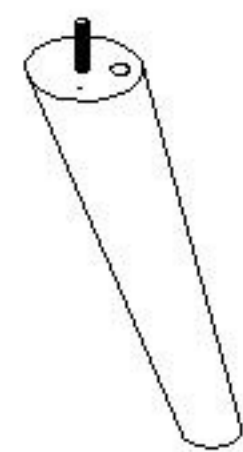
1pc

**E** Back Plywood



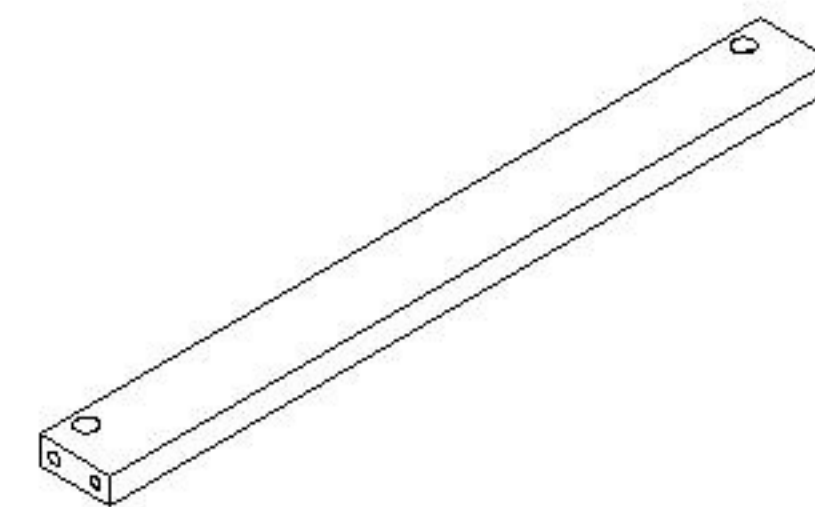
1pc

**F** Post



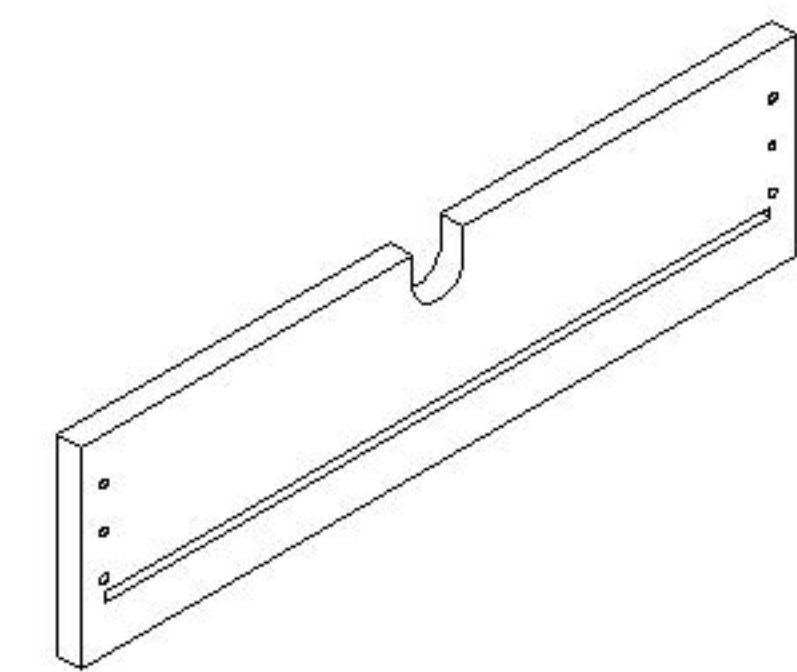
4pc

**G** Center Bar



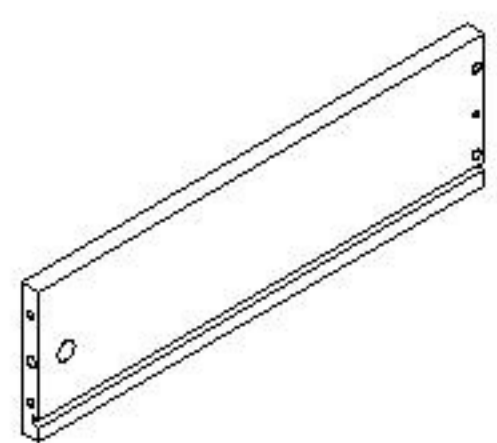
2pcs

**H** Small Drawer Front



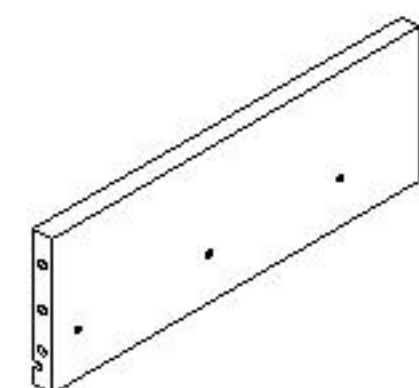
2pcs

**I** Small Drawer Side (Left)



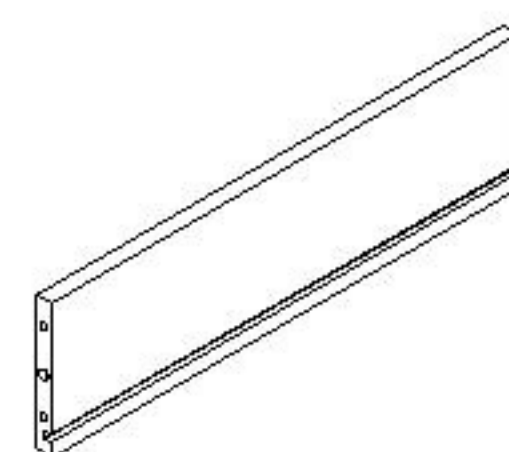
2pcs

**J** Small Drawer Side (Right)



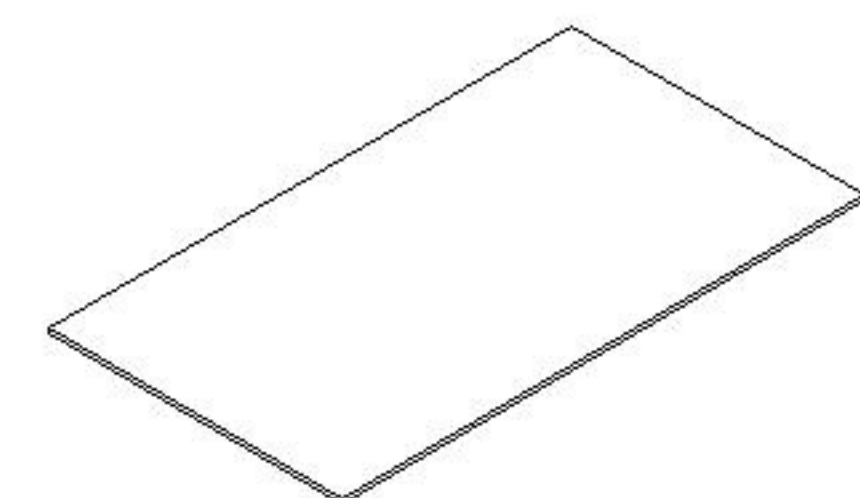
2pcs

**K** Small Drawer Back



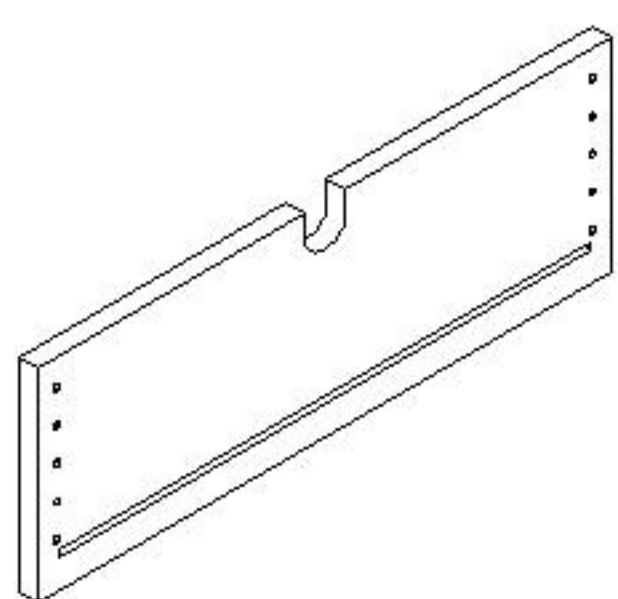
2pcs

**L** Drawer Base



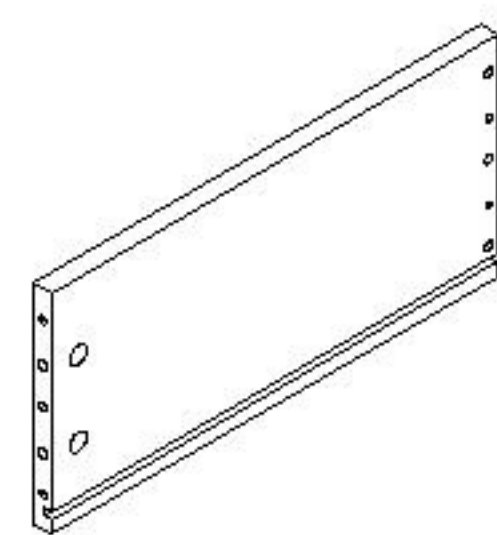
5pcs

**M** Big Drawer Front



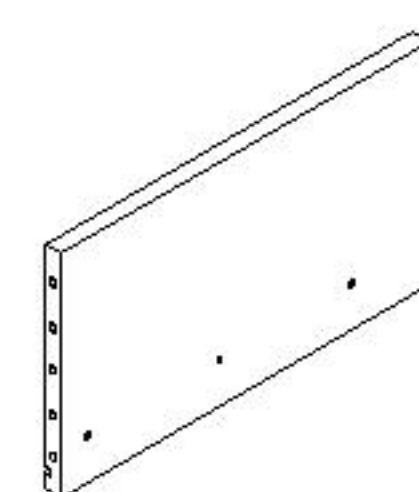
3pcs

**N** Big Drawer Side (Left)



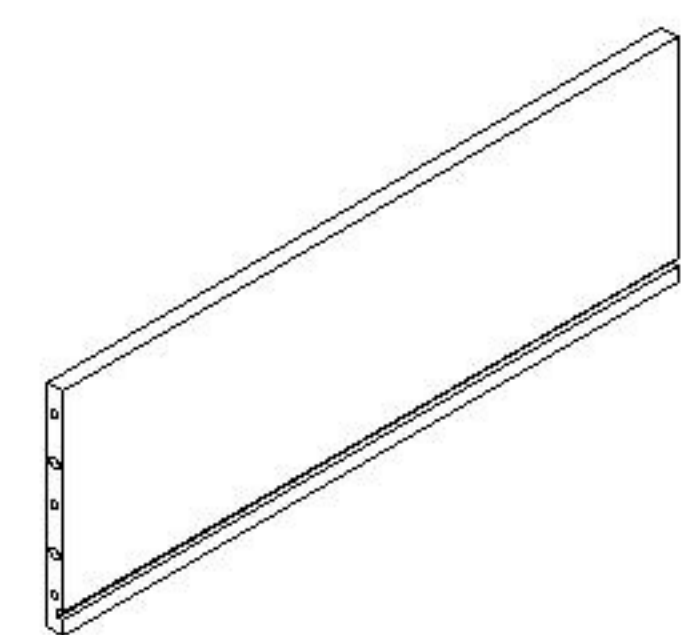
3pcs

**O** Big Drawer Side (Right)



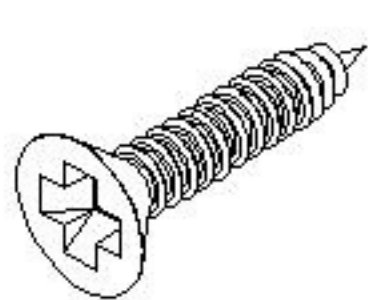
3pcs

**P** Big Drawer Back



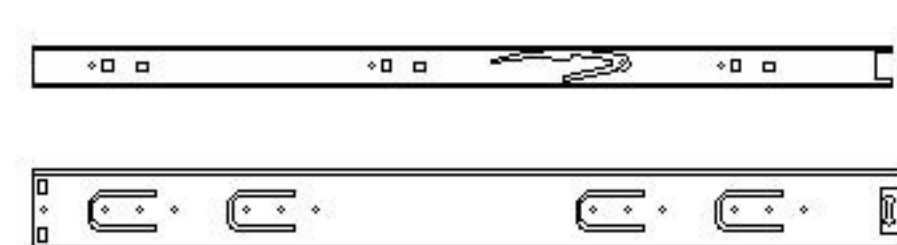
3pcs

**Q** Screw  
3\*16mm



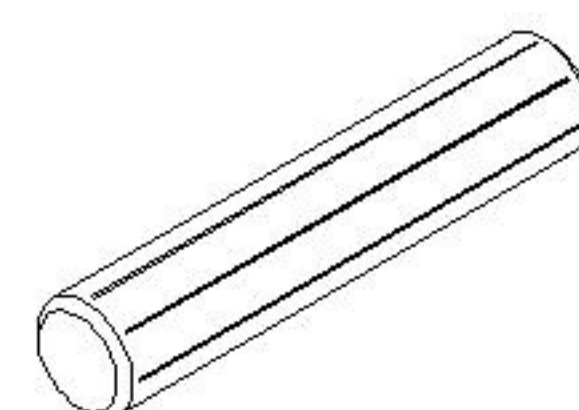
60pcs

**R** Extension Runner  
400mm



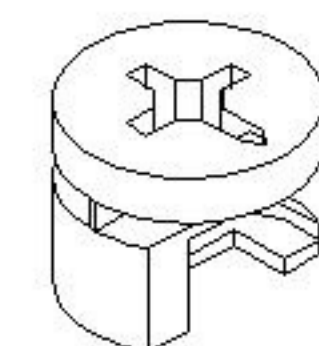
5sets

**S** Dowel  
8\*35mm



16pcs

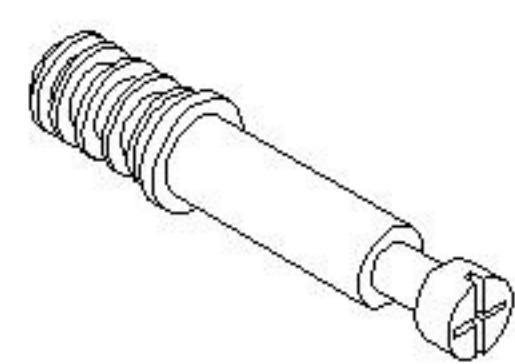
**T** Cam Lock  
15\*12



42pcs

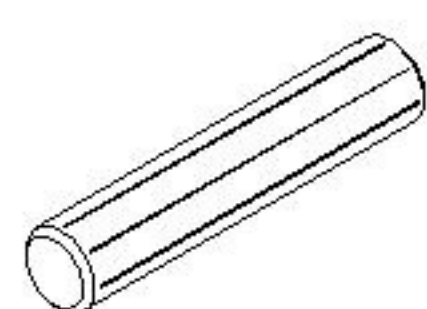


**U** Cam Bolt  
5\*25



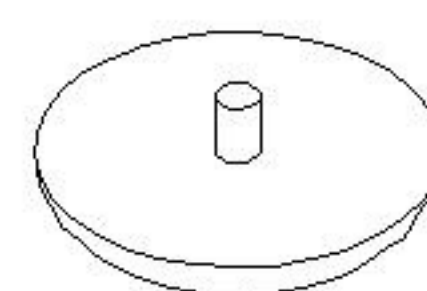
42pcs

**V** Dowel  
6\*30mm



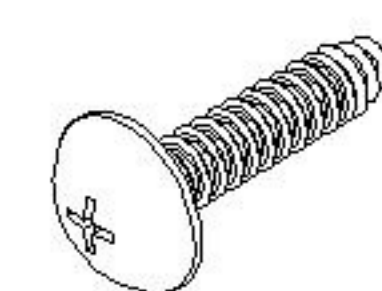
52pcs

**W** Cam Lock Cover  
17\*5



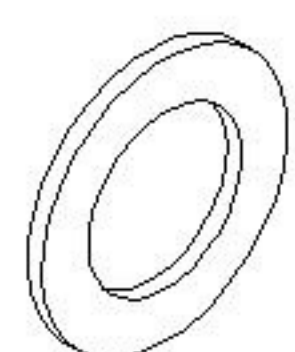
42pcs

**X** Panhead Screw  
4\*16mm-Black



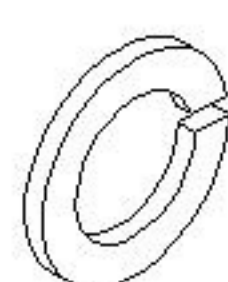
16pcs

**Y** Flat Washer  
M8



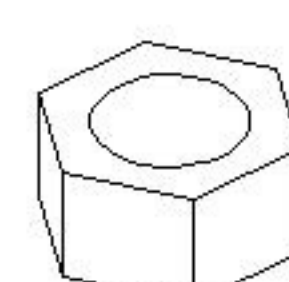
4pcs

**Z** Spring Washer  
M8



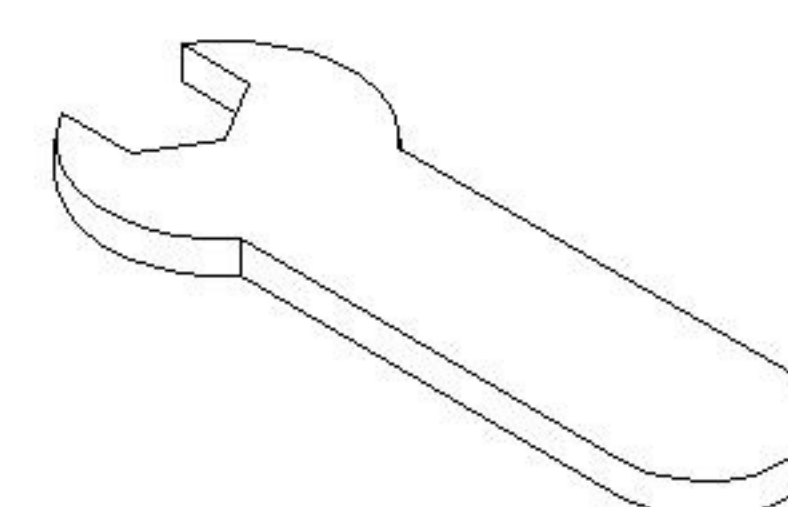
4pcs

**AA** Hex Nut  
M8



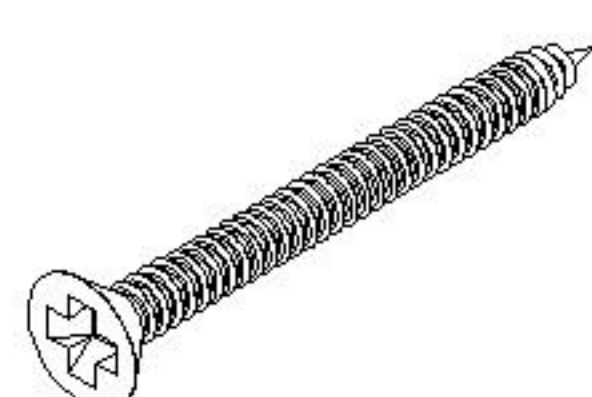
4pcs

**AB** Spanner  
M12.8



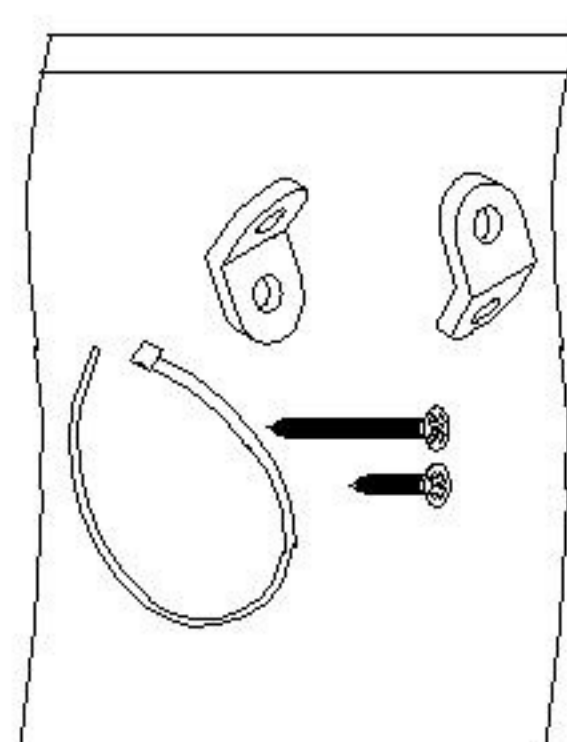
1pc

**AC** Screw  
4\*32mm

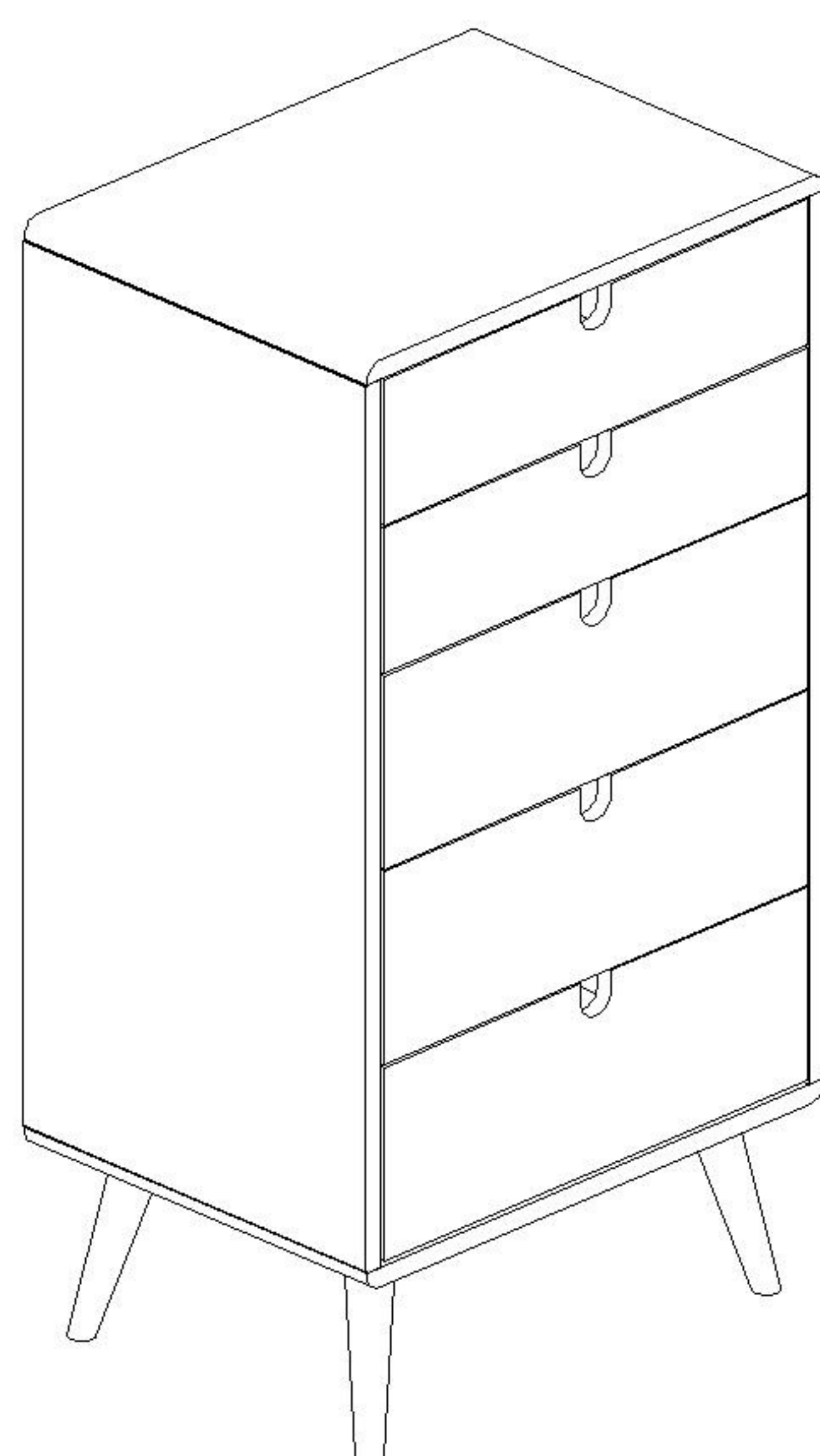


6pcs

**AD** Anti-Tipping Kit

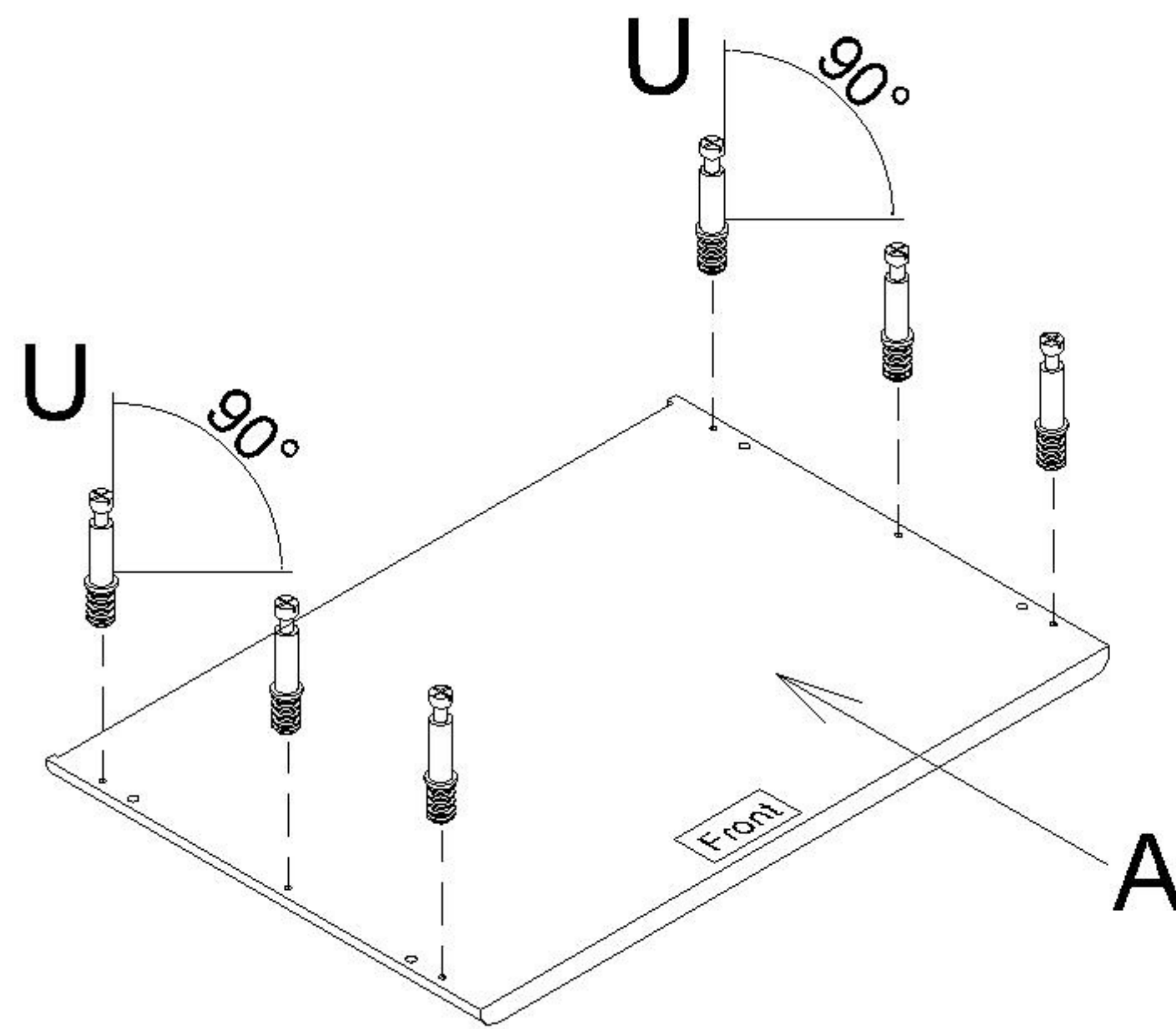


1set



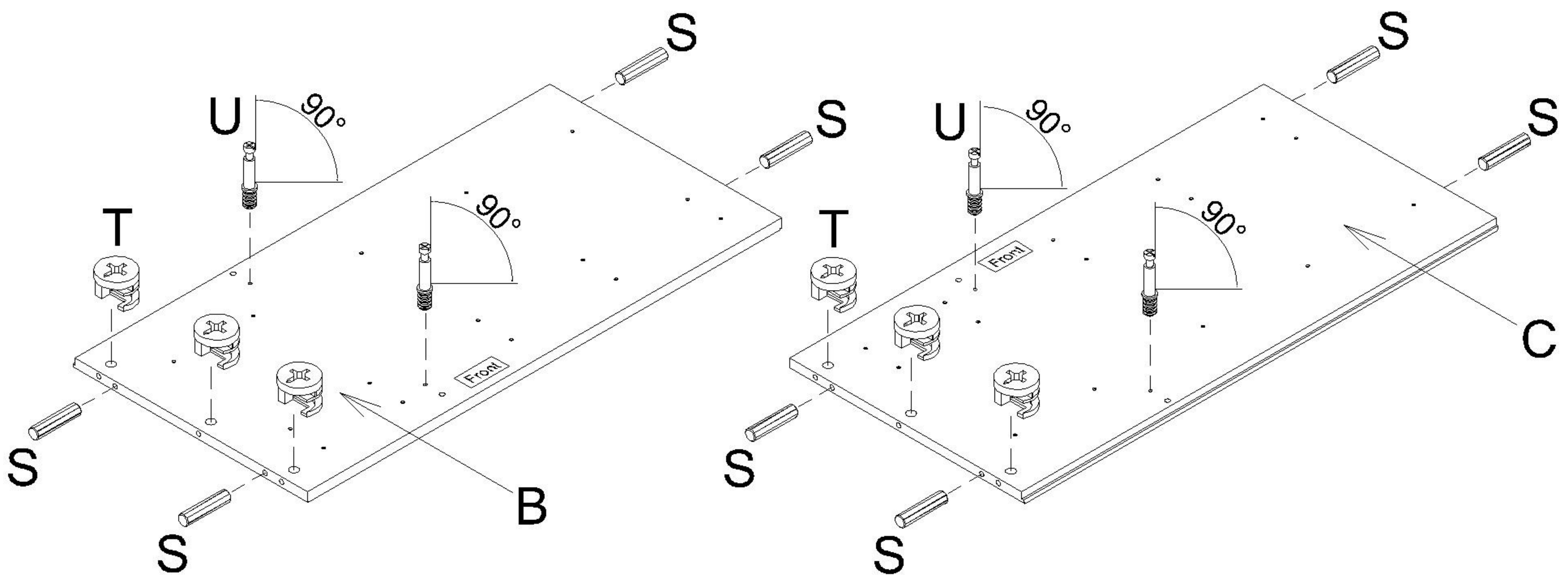
This pages lists all the contents included in the box. Please take the time to identify the hardware as well as the individual components to this product. As you unpack and prepare for assembly, place the contents on a carpeted or padded area to protect them from damage.

**1** Insert and secure Cam Bolt (U) to Top Panel (A).



**2** Insert Dowel (S) to Left & Right Side Panel (B & C). Attach Cam Lock (T) to Left & Right Side Panel (B & C).

NOTE : - Make sure arrows on each Cam Lock points towards nearest edge with holes.



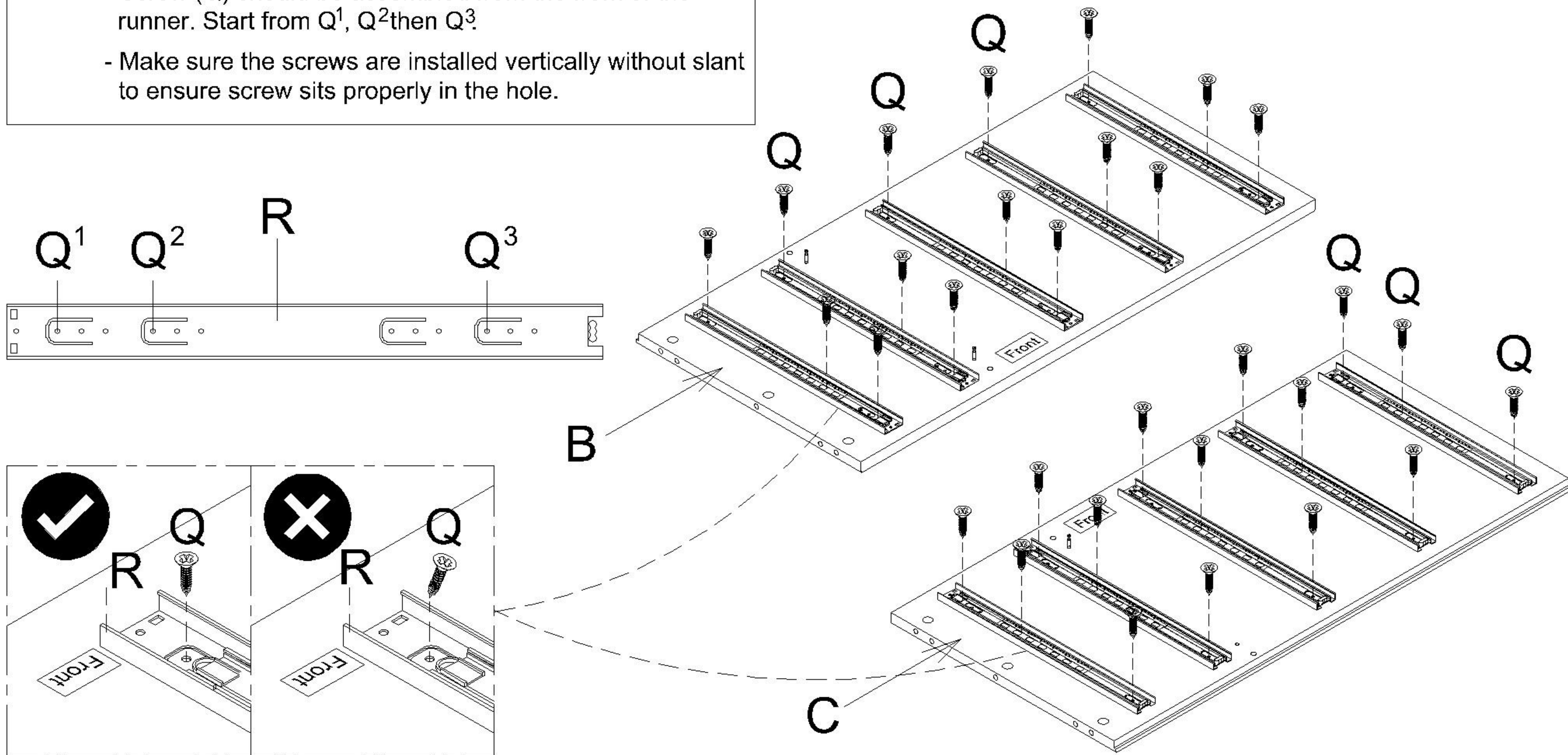
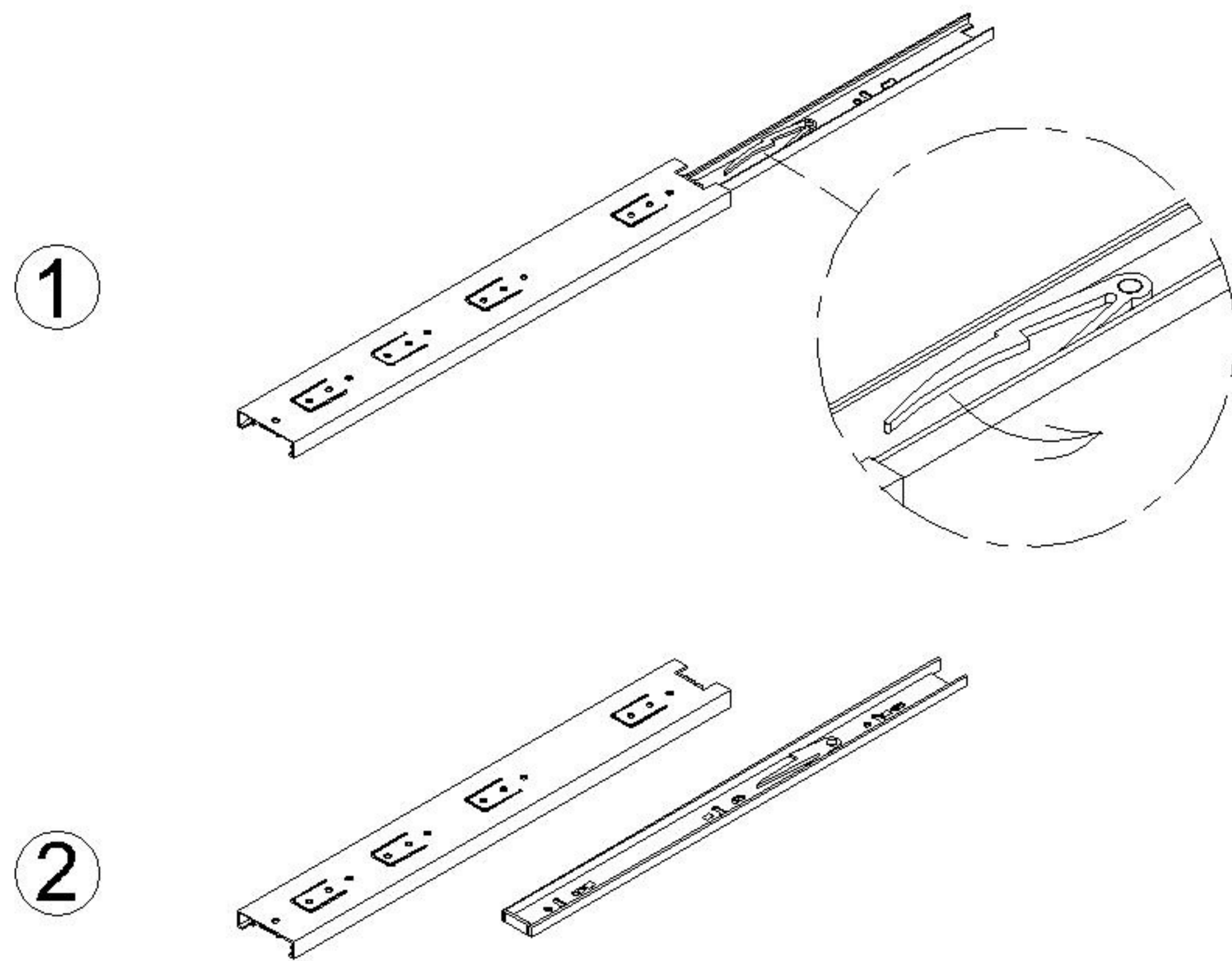


**3****Attach Extension Runner (R) to Left & Right Side Panel (B & C) using Screw (Q) to secure.**

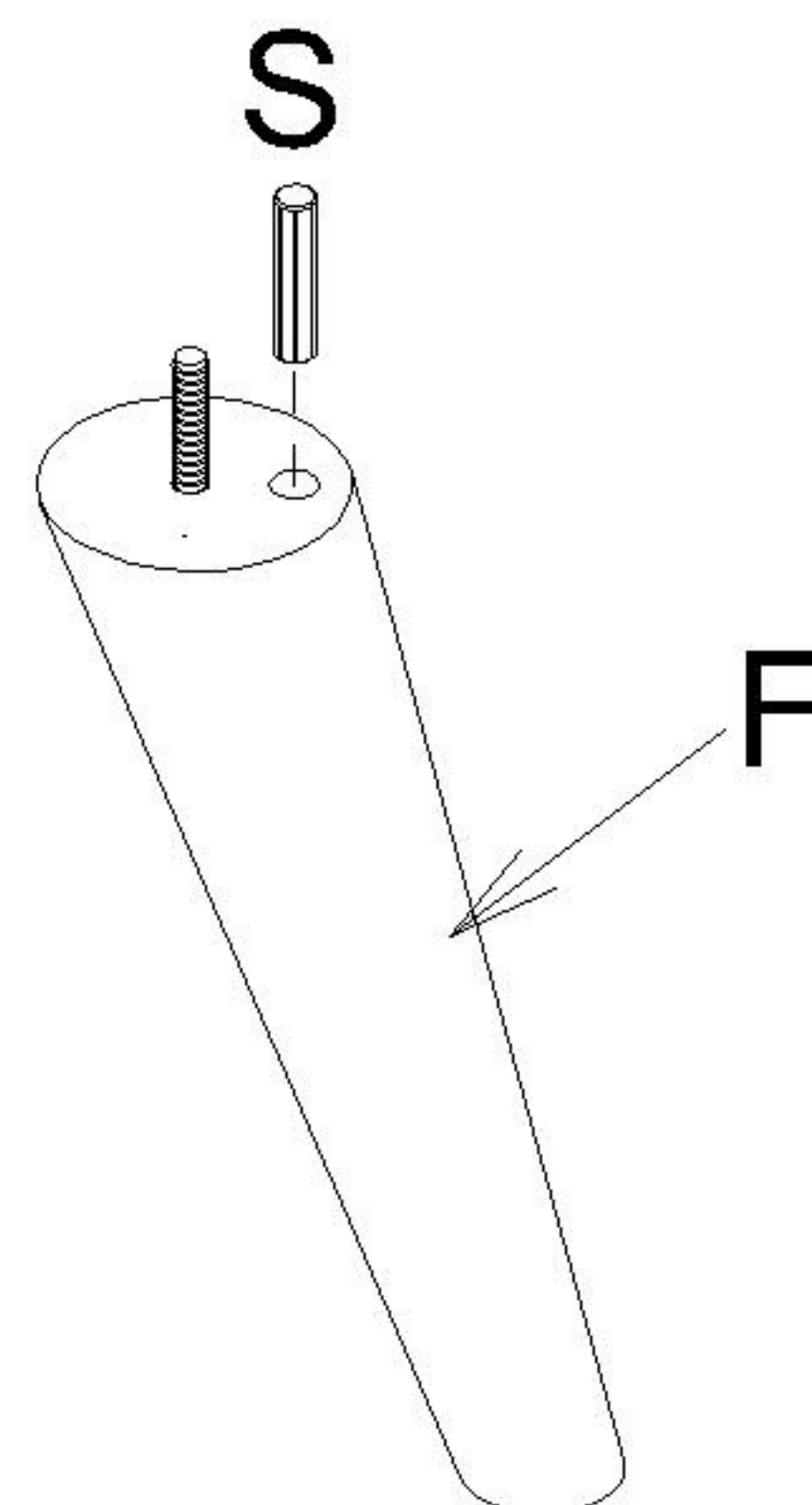
NOTE : - Runner roller should be towards the front of the panel.

- Screw (Q) should be assembled from the front of the runner. Start from Q<sup>1</sup>, Q<sup>2</sup> then Q<sup>3</sup>.

- Make sure the screws are installed vertically without slant to ensure screw sits properly in the hole.

**EXTENSION RUNNER DISASSEMBLE STEPS:**

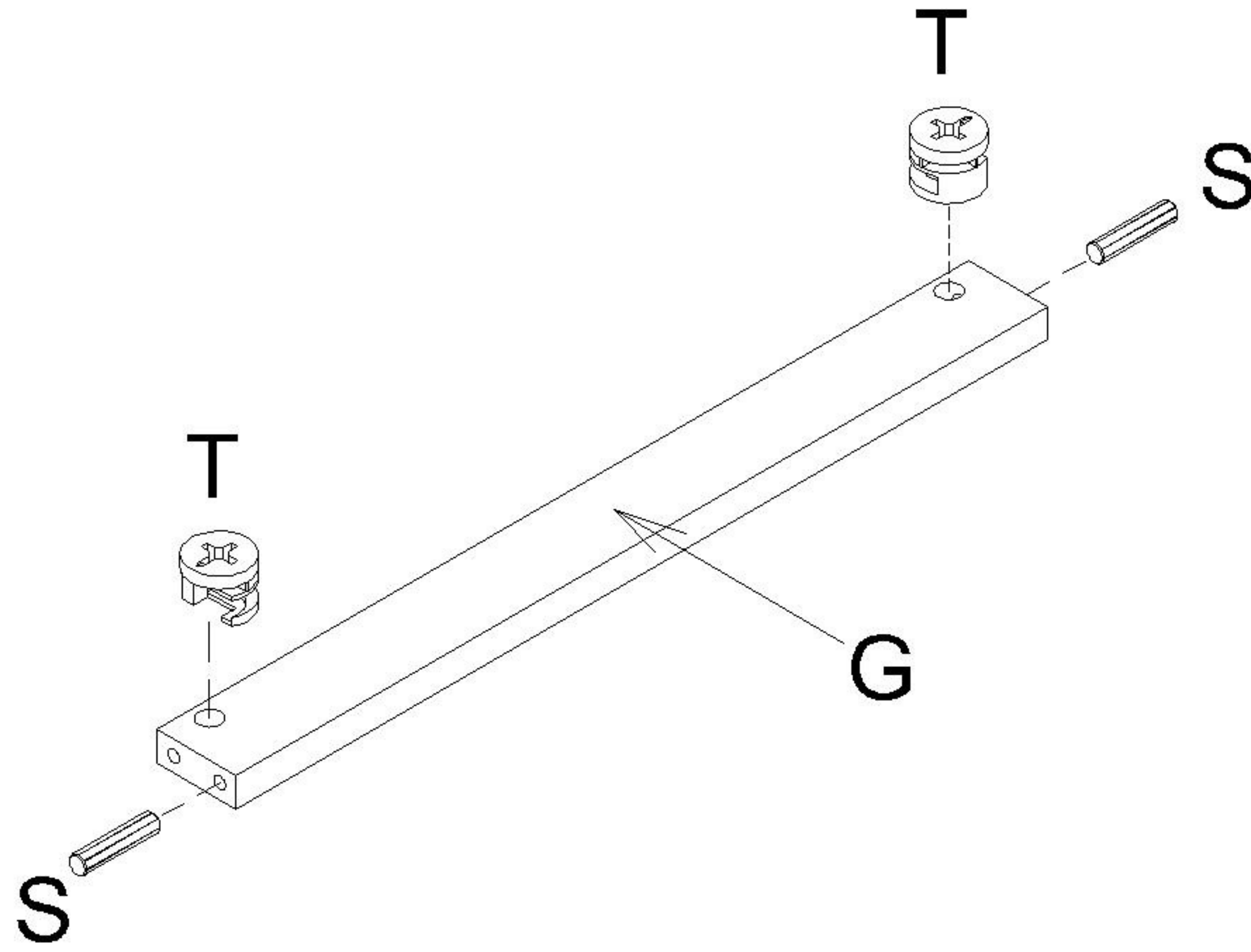
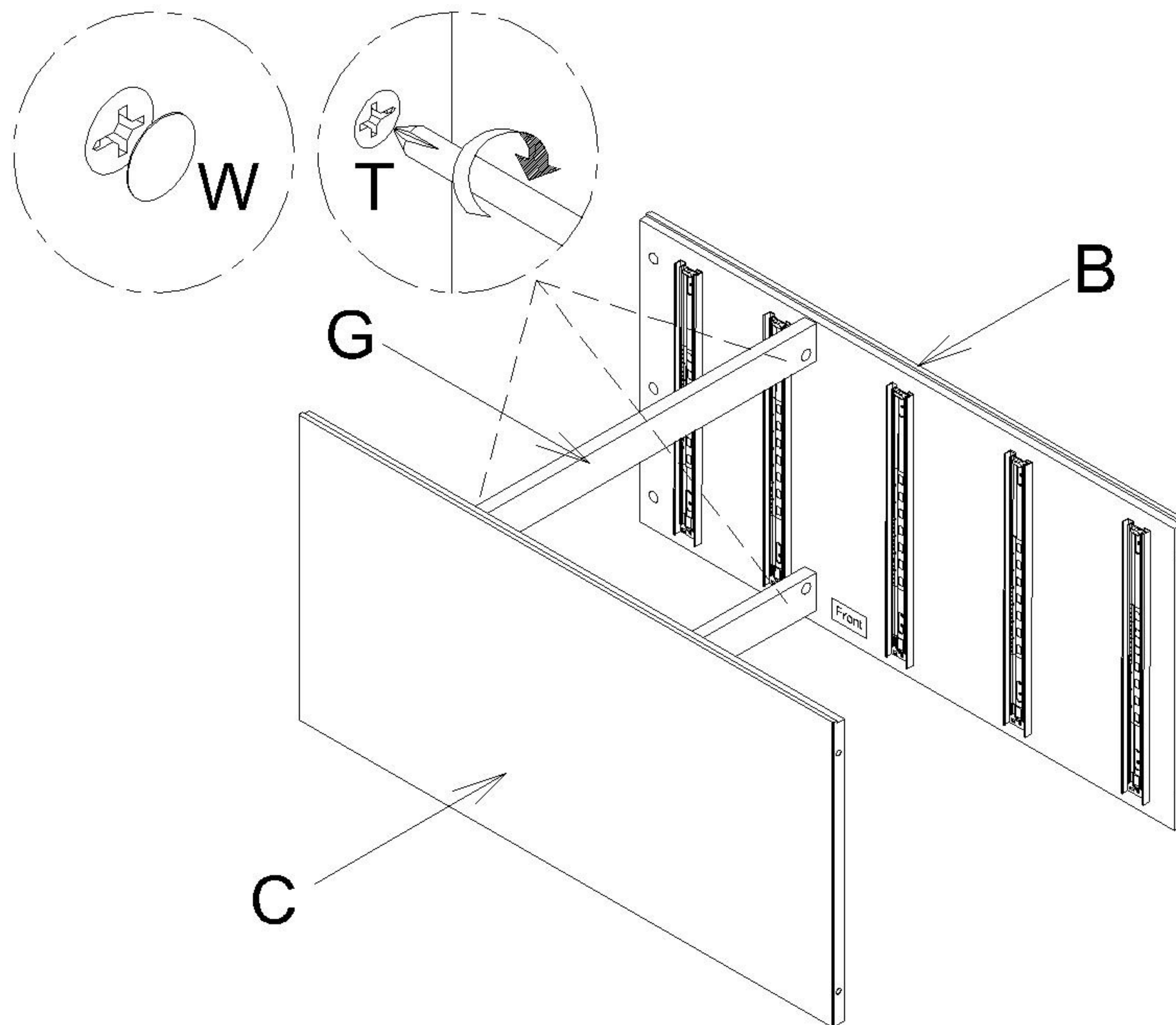
Disassemble the glides to tighten on panel. Glides will be disassembled in 2 parts, 1 part to fix on side panel and the other part to fix on drawer side.

**4****Attach Dowel (S) to Post (F).**

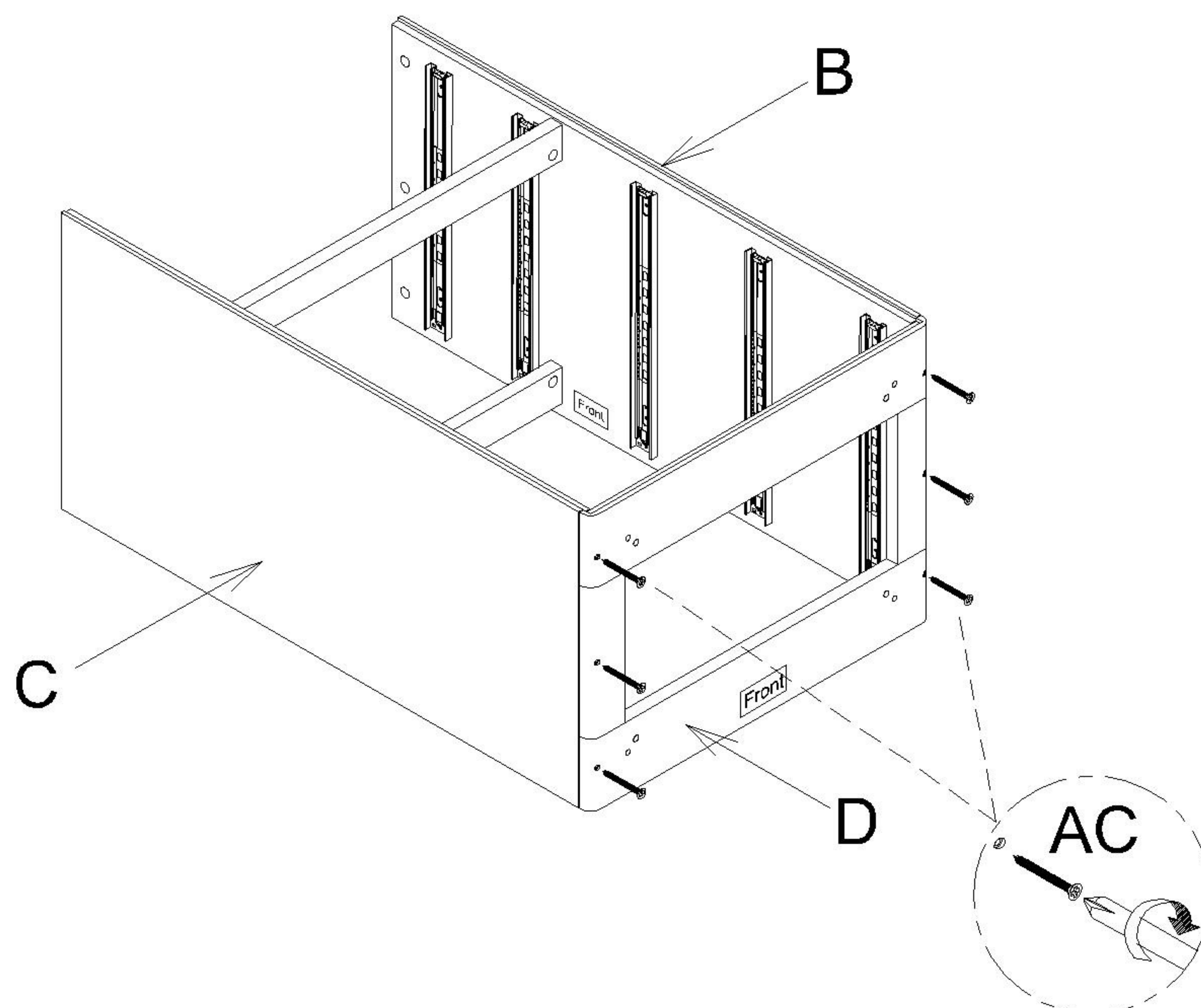


**5****Attach Dowel (S) and Cam Lock (T) to Center Bar (G).**

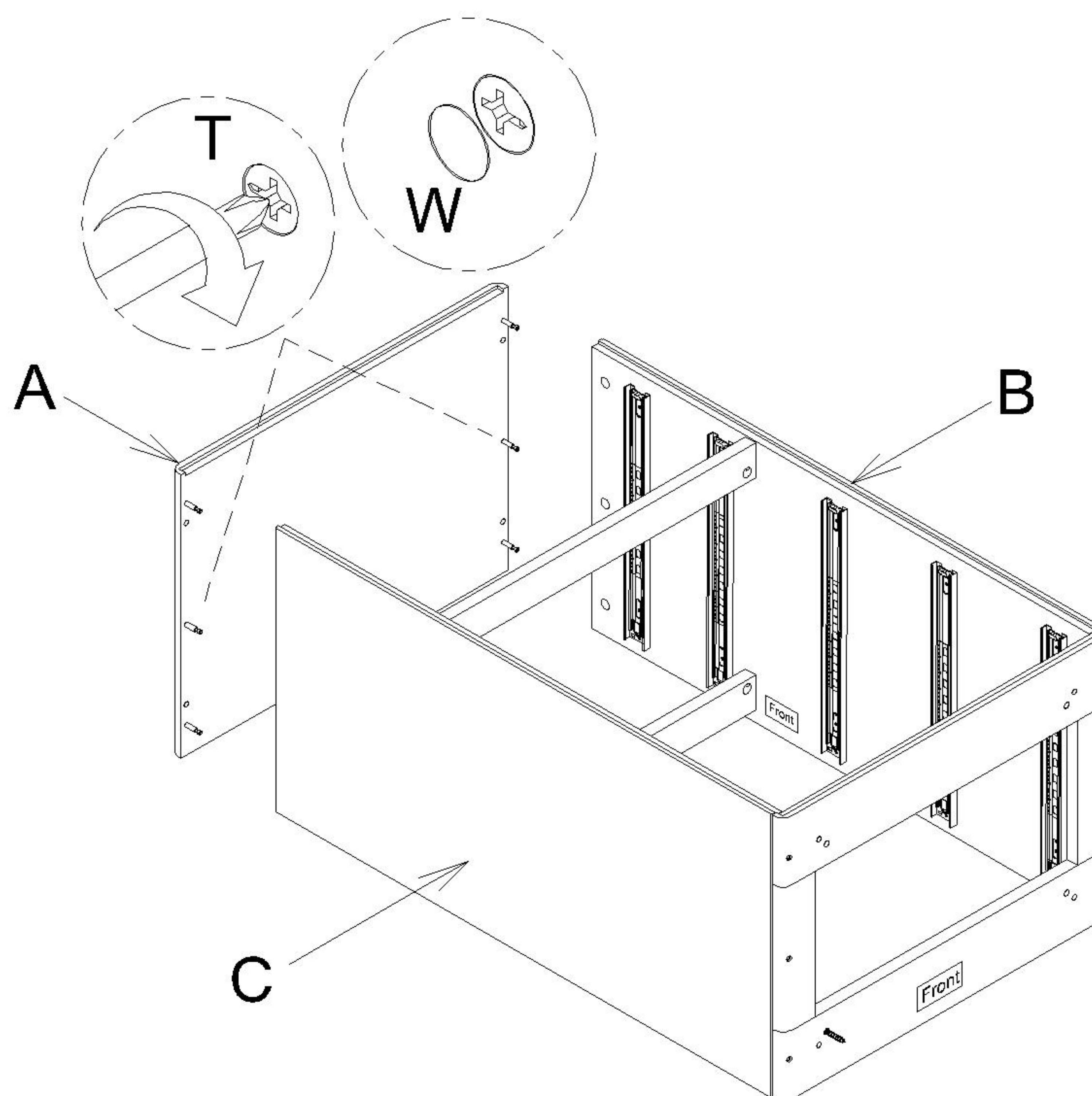
NOTE : - Make sure arrows on each Cam Lock points towards nearest edge with holes.

**6****Attach Left & Right Side Panel (B & C) to Center Bar (G) and secure with Cam Lock (T). Use Cam Lock Cover (W) to cover Cam Lock (T).**

**7** Attach Bottom Frame (D) to Left & Right Side Panel (B & C) and secure using Screw (AC).

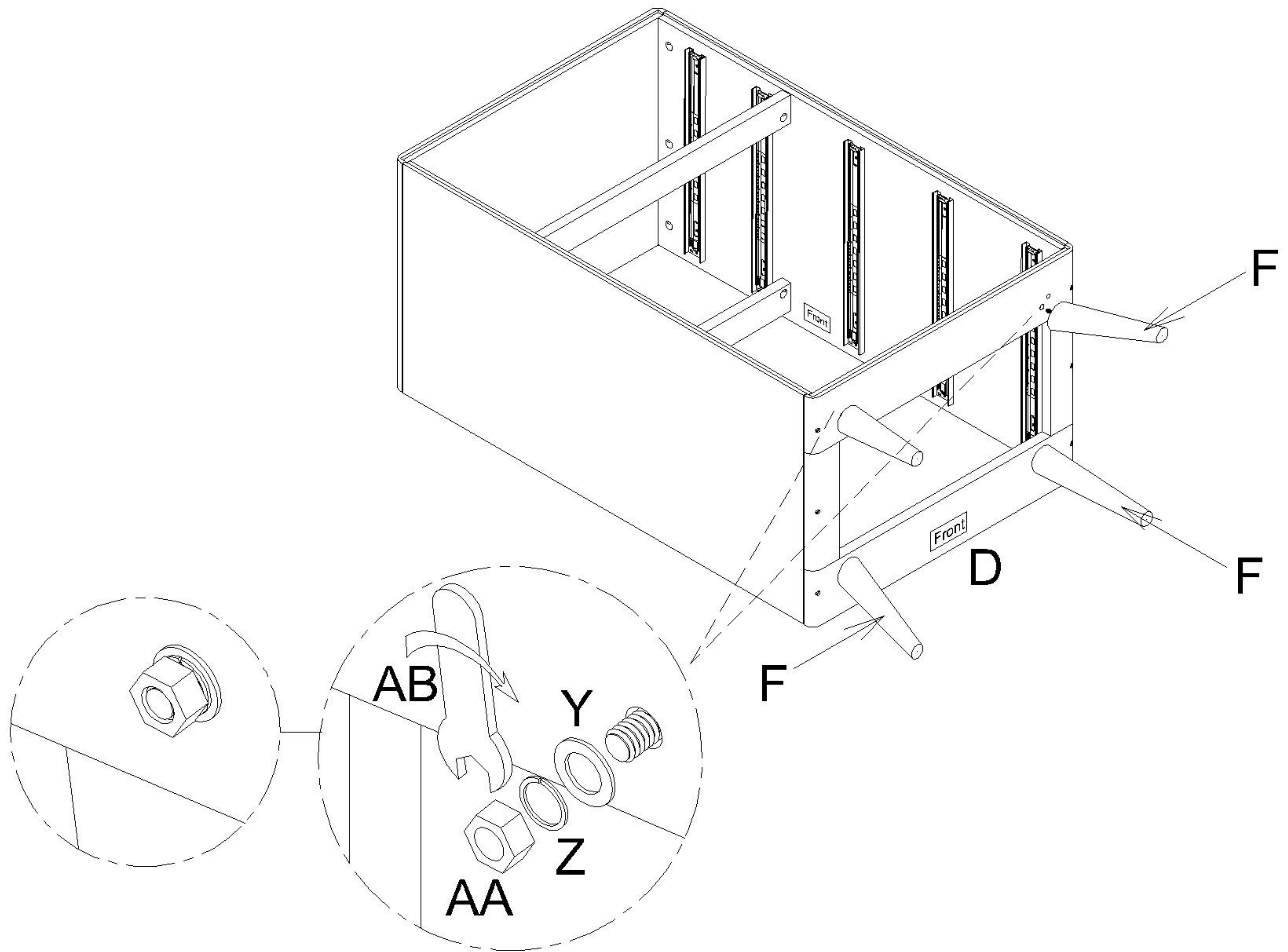


**8** Attach Top Panel (A) to Side Panel (B & C) and secure with Cam Lock (T). Cover Cam Lock (T) with Cam Lock Cover (W).

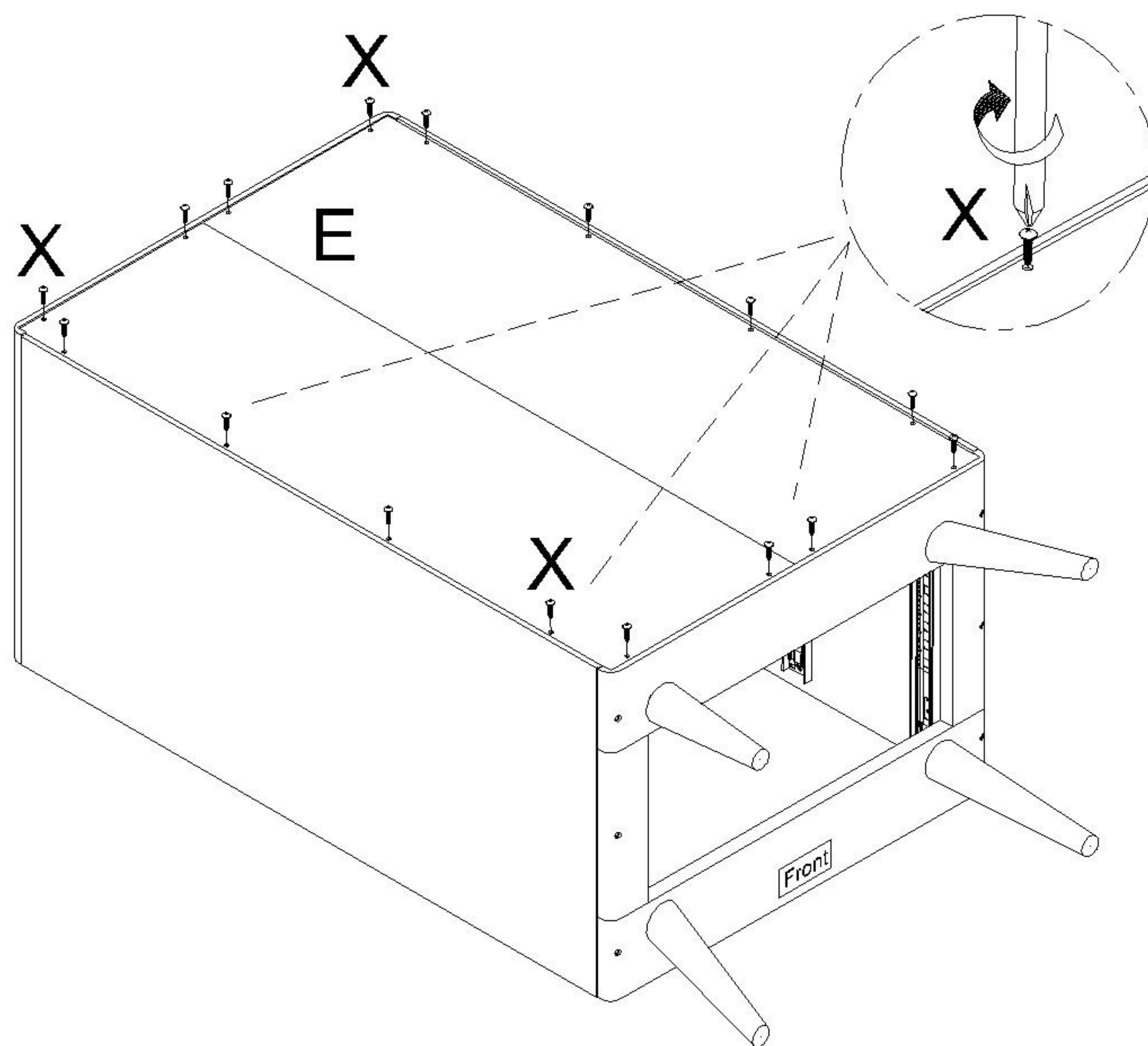




- 9** Attach Post (F) to Bottom Frame (D) and secure with Flat Washer (Y), Spring Washer (Z) & Hex Nut (AA) and tighten with Spanner (AB) clockwise.

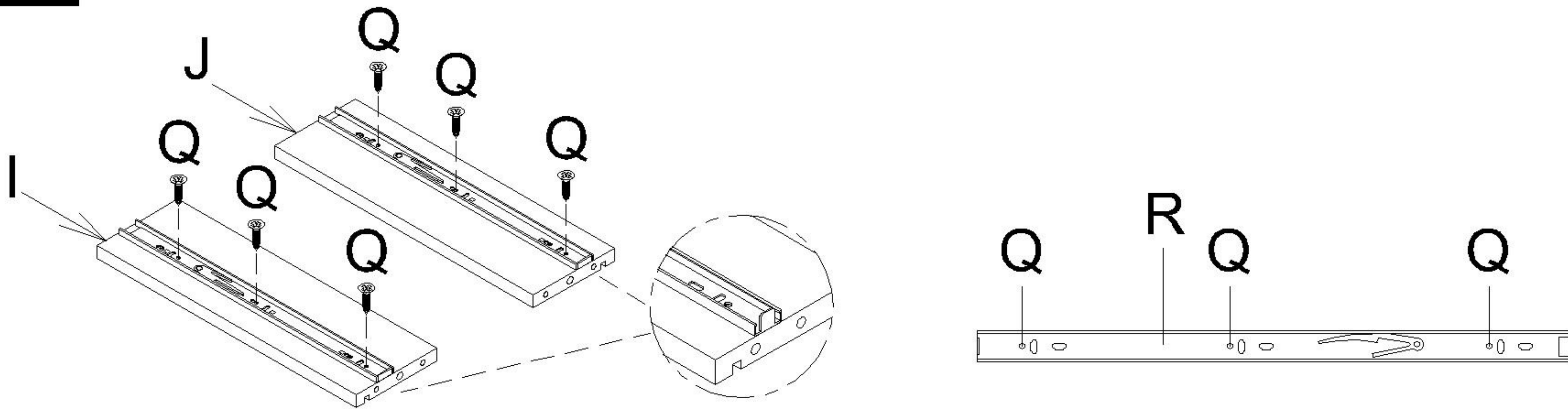


- 10** Attach Back Plywood (E) to assembled unit using Panhead Screw (X) to secure.

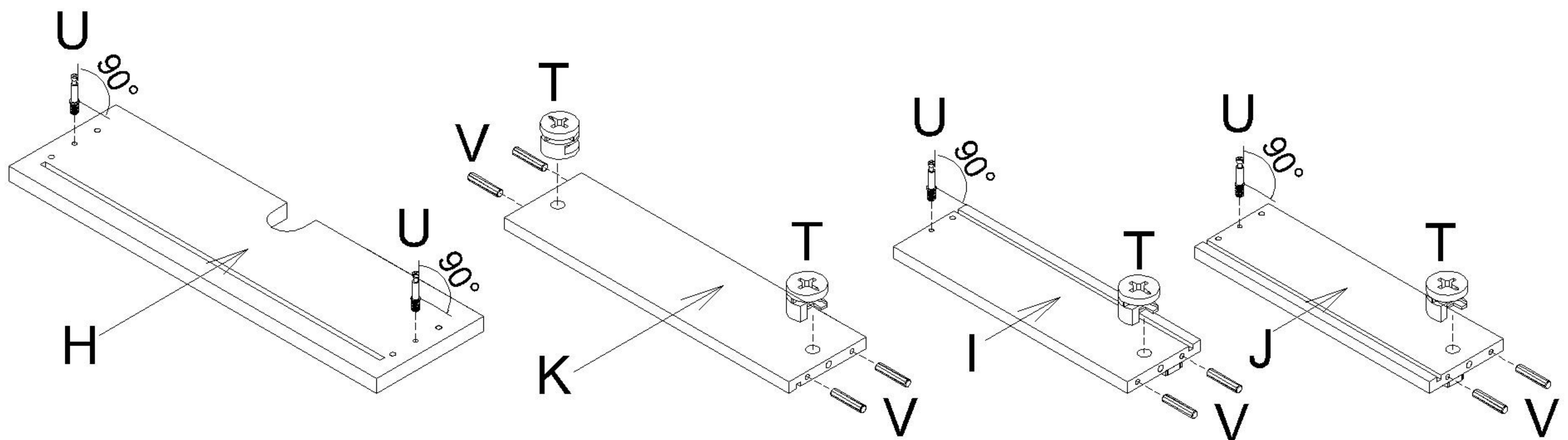




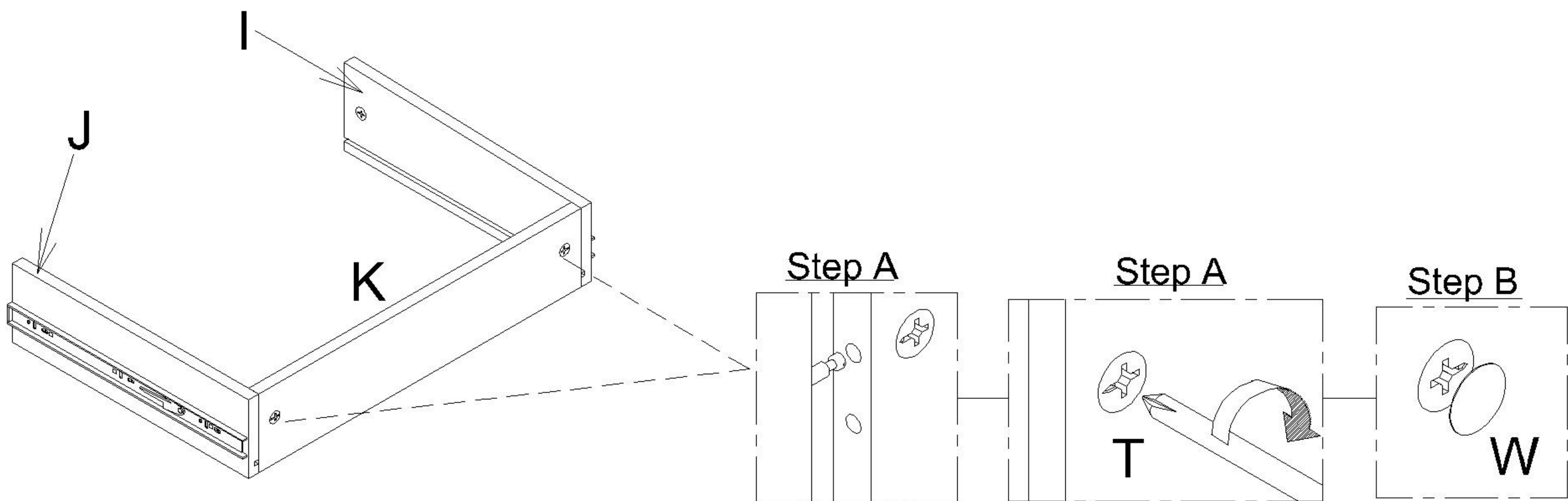
**11** Attach Extension Runner (R) to Left & Right Small Drawer Side (I & J) using Screw (Q) to secure.



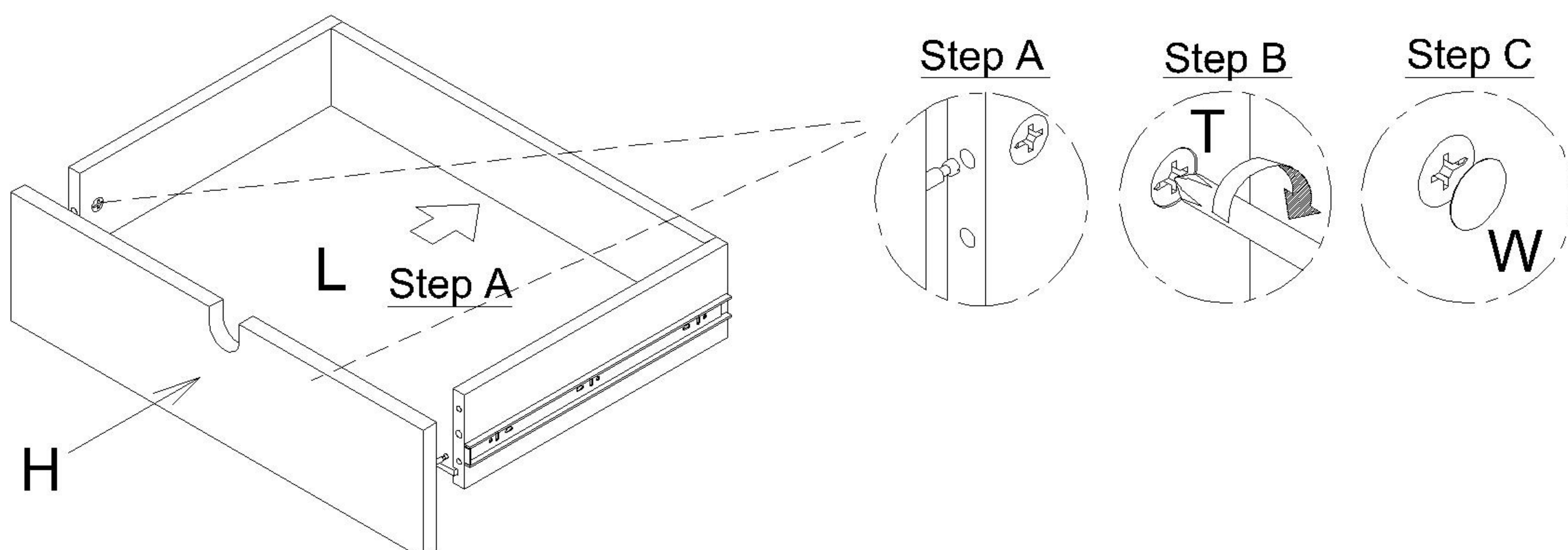
**12** Insert Dowel (V) to Left & Right Small Drawer Side (I & J) & Small Drawer Back (K). Attach Cam Lock (T) to Left & Right Small Drawer Side (I & J) & Small Drawer Back (K). Attach Cam Bolt (U) to Small Drawer Front (H) and Left & Right Small Drawer Side (I & J).



**13** Attach Left & Right Small Drawer Side (I & J) to Small Drawer Back (K) and secure with Cam Lock (T). Use Cam Lock Cover (W) to cover Cam Lock (T).

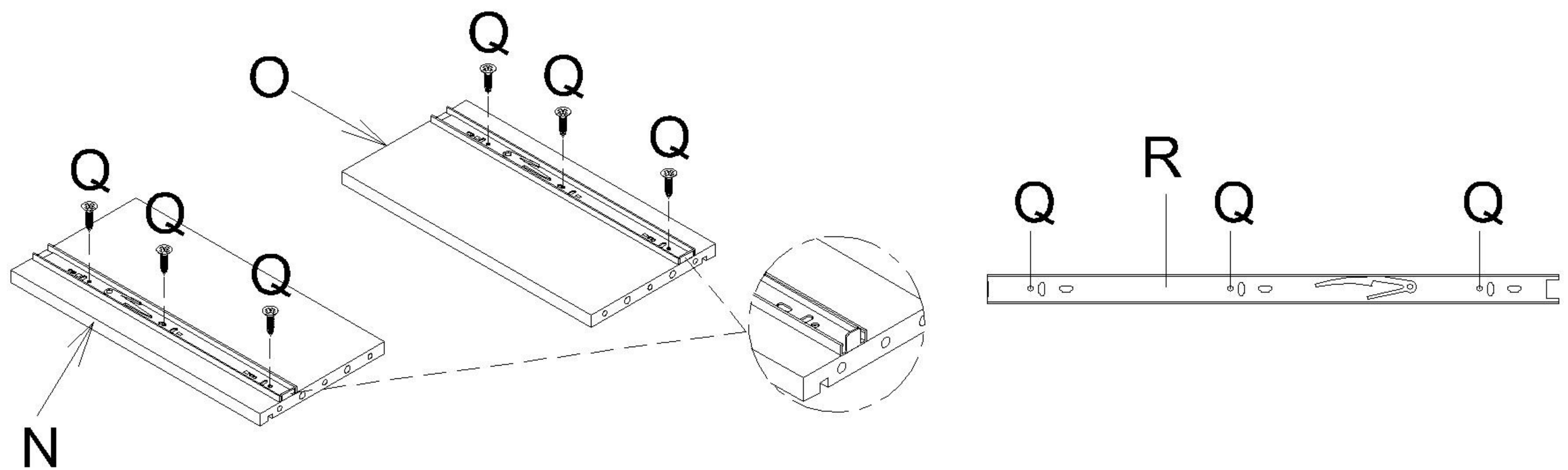


**14** Slot Drawer Base (L) in corresponding grooves. Attach Small Drawer Front (H) to Drawer Box and secure with Cam Lock (T). Use Cam Lock Cover (W) to cover Cam Lock (T).

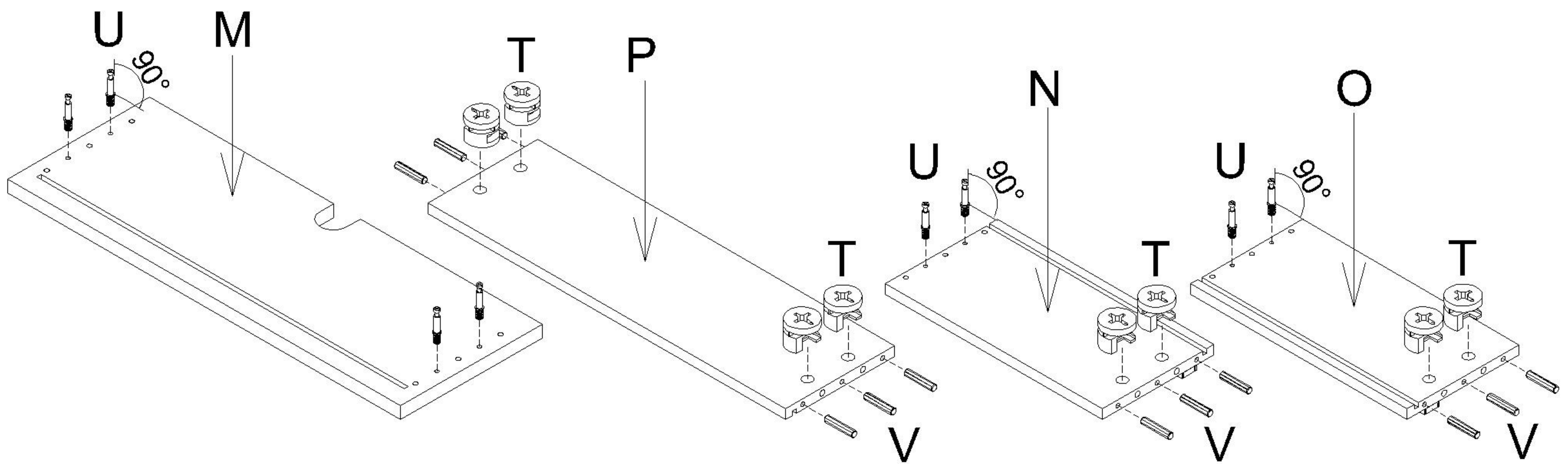




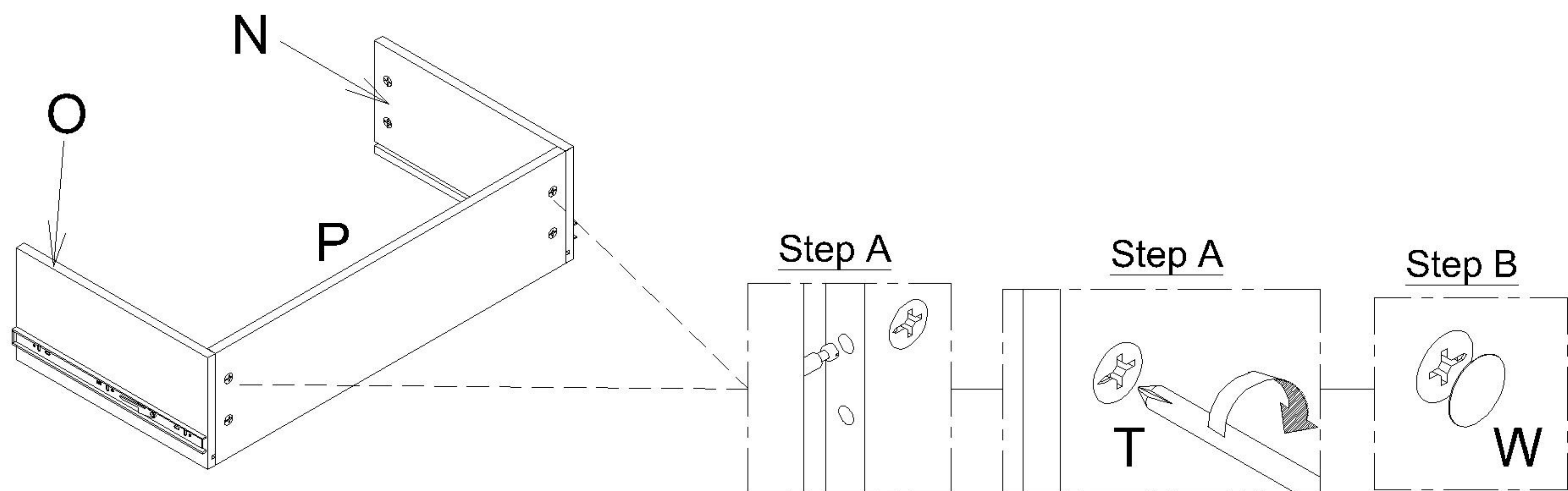
**15** Attach Extension Runner (R) to Left & Right Big Drawer Side (N & O) using Screw (Q) to secure.



**16** Insert Dowel (V) to Left & Right Big Drawer Side (N & O) & Big Drawer Back (P). Attach Cam Lock (T) to Left & Right Big Drawer Side (N & O) & Big Drawer Back (P). Attach Cam Bolt (U) to Big Drawer Front (M) and Left & Right Big Drawer Side (N & O).

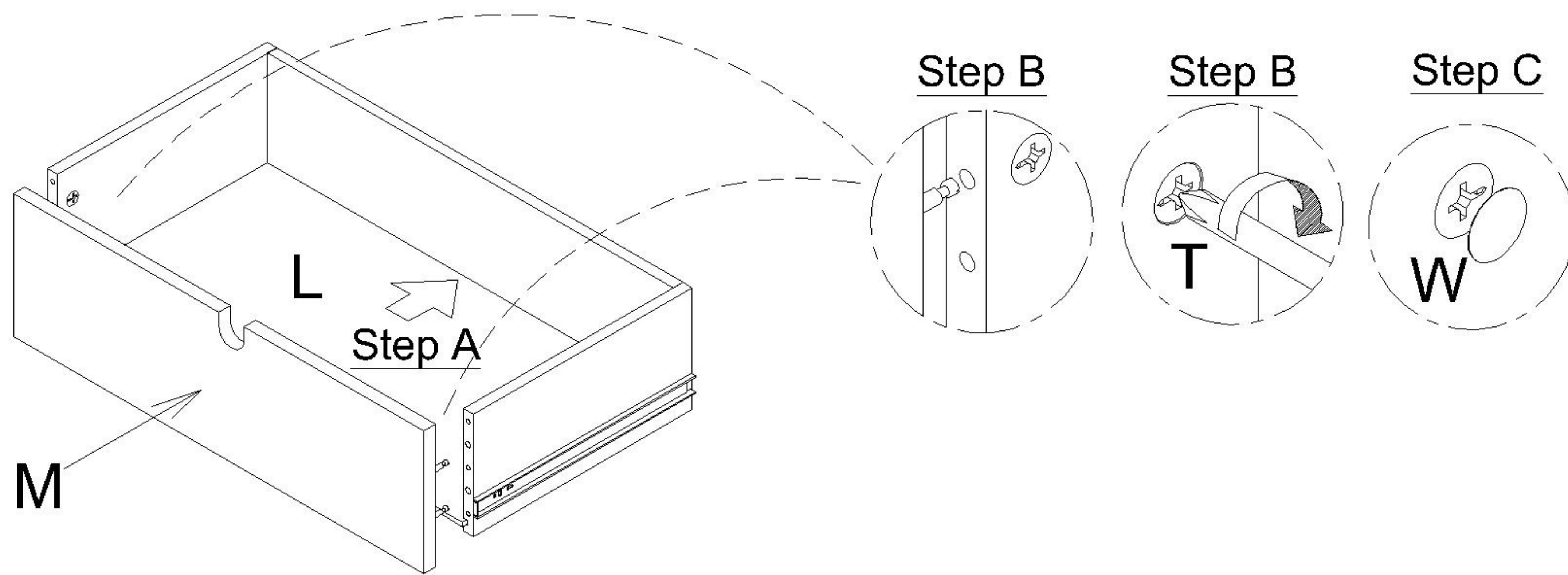


**17** Attach Left & Right Big Drawer Side (N & O) to Big Drawer Back (P) and secure with Cam Lock (T). Use Cam Lock Cover (W) to cover Cam Lock (T).

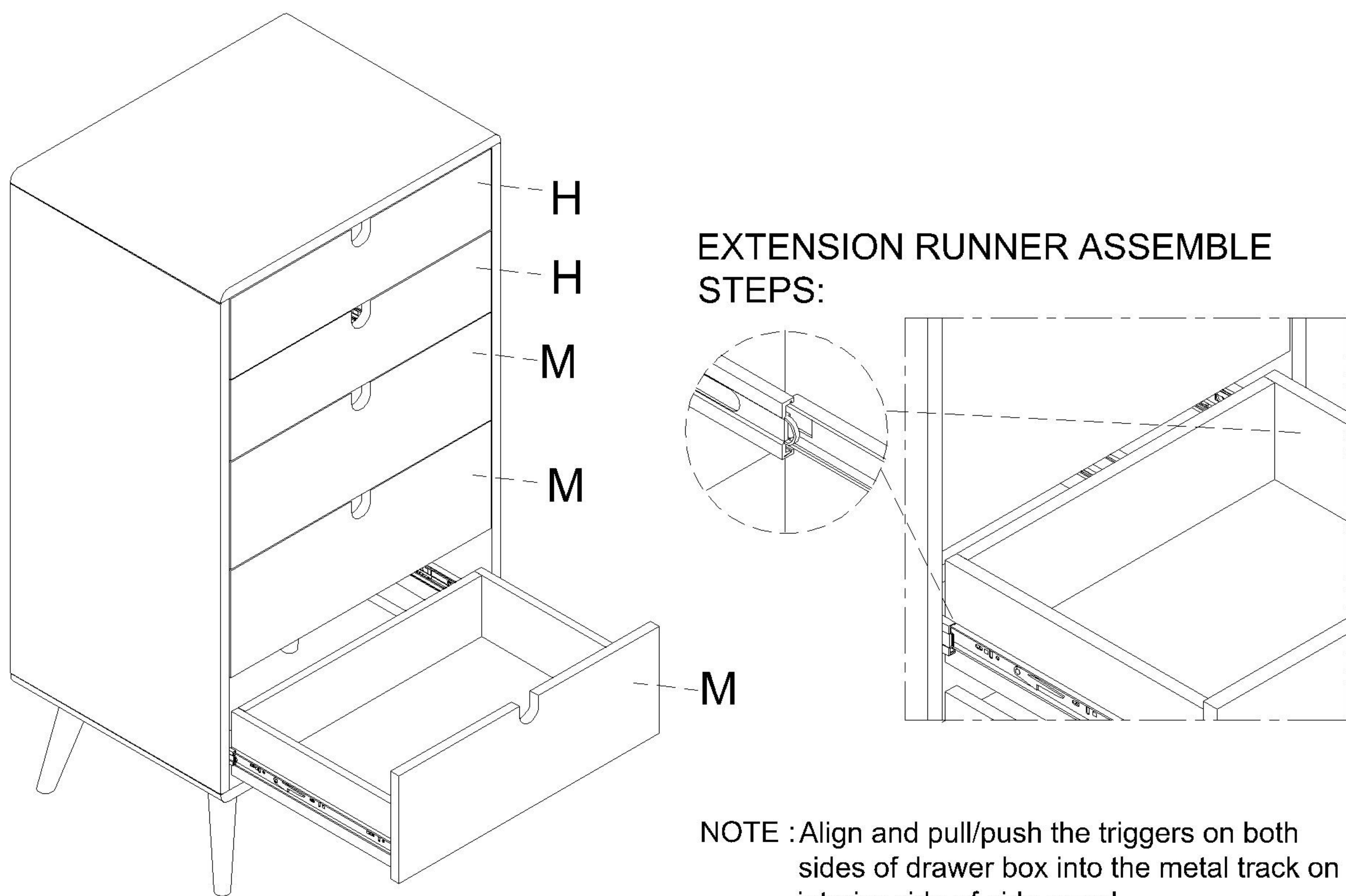




**18** Slot Drawer Base (L) in corresponding grooves. Attach Big Drawer Front (M) to Drawer Box and secure with Cam Lock (T). Use Cam Lock Cover (W) to cover Cam Lock (T).

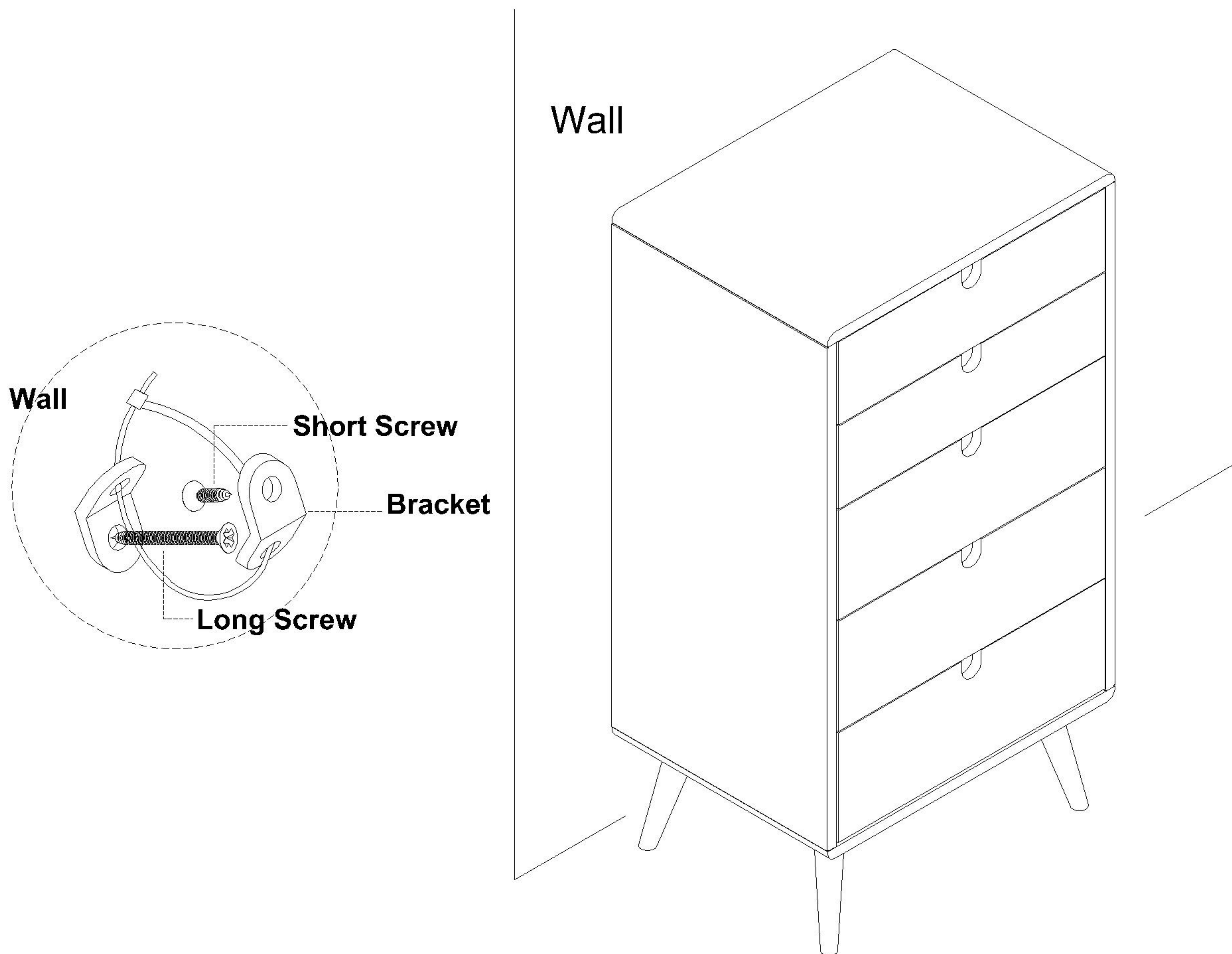


**19** Slot Drawers into assembled unit.





**20** Attach Anti-Tipping Kit (AD) to wall. Attach Bracket (vertically) to wall using the Long Screw provided. Attach Bracket (vertically) to furniture back (directly below top) with Short Screw. Place Bracket as close to center of furniture back as possible in relation to wall stud and the desired position in the room. Move furniture to its final position. Thread the strap through Bracket, and pull it tight.



### Cleaning & Care

Treat surface with care. Surface is resistant to scratches but is not scratch resistant. Clean surfaces with a dry or damp soft cloth. Do not use abrasive cleaners. Hardware may loosen over time. Periodically check that all connections are tight.