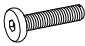






HEKMAN®

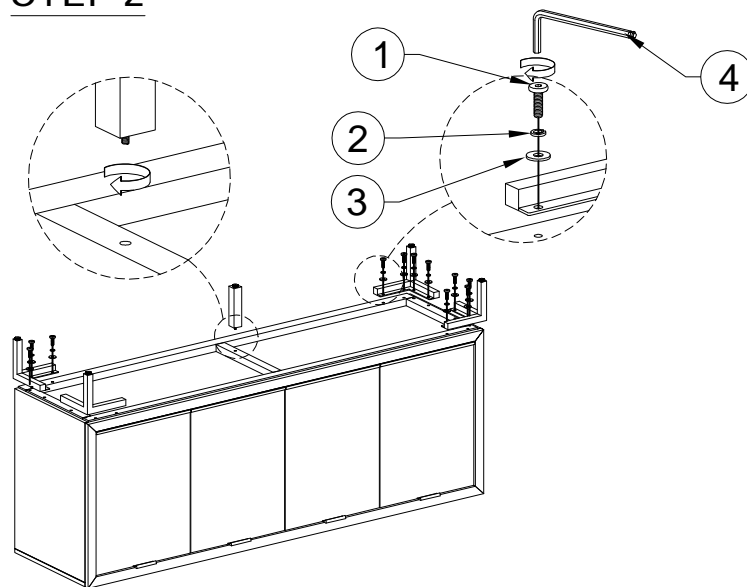
A HOWARD MILLER COMPANY

ASSEMBLY INSTRUCTIONS FOR 25350 Entertainment Center

HARDWARE LIST

NO.	ITEM	DESCRIPTION	QTY	NO.	ITEM	DESCRIPTION	QTY
1		BOLT Ø1/4" x 1"	16	2		LOCK WASHER	16
3		FLAT WASHER	16	4		ALLEN WRENCH	1
5		PIN SHELF	12				

STEP 2



TO ASSEMBLY:

STEP 1: Lay the entertainment center face down on a piece of cloth or carpet to prevent the finish from scratching.

STEP 2: Attach the legs to the entertainment center. Insert the flat washer (3), lock washer (2), with bolt (1) to the entertainment center, tighten with allen wrench (4). Then attach center leg by turning in the hole provided.

STEP 3: Assembly of the product is now completed.

