

ASSEMBLY INSTRUCTIONS






KAMARI COLLECTION

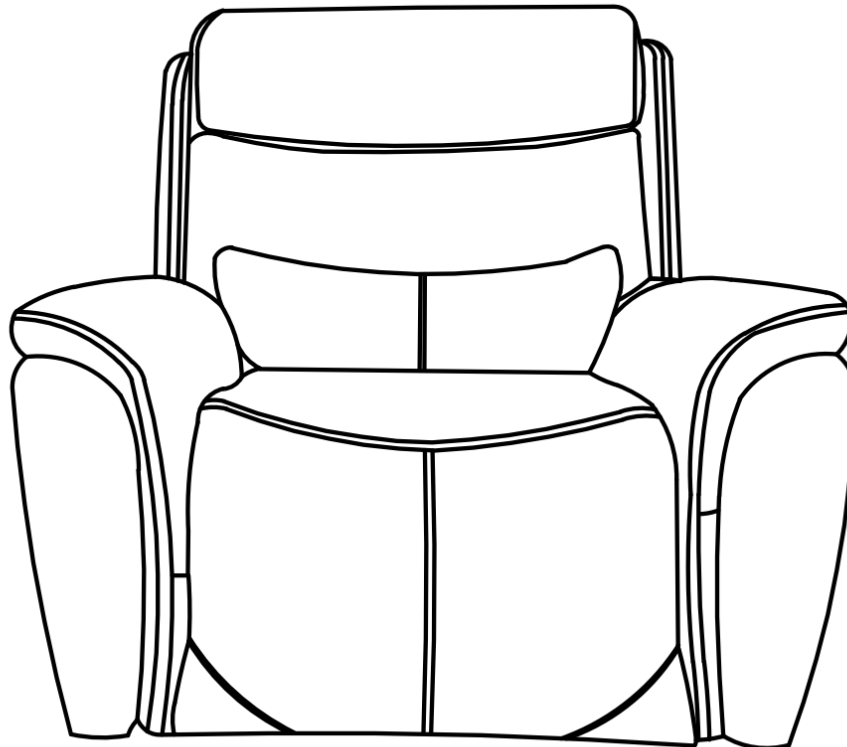
ITEM#: U092-13P2

DESCRIPTION : KAMARI GLIDER RECLINER W/PWR HR & FR

Thank you for purchasing this quality product. Be sure to check all packing materials carefully for small parts, which may have come loose during shipment. Identify and count all items and compare with the parts list shown below. It is recommended to have two people during assembling and to remove the back and base of the furniture out from the box.

Please follow the drawings below to assemble the item

Parts List			
NO.	DESCRIPTION	SKETCH	Q'TY
A	Seat		1 PC
B	Backrest		1 PC
C	Transformer		1 PC
D	Left Side Facing (LSF) Wing		1 PC
E	Right Side Facing (RSF) Wing		1 PC



All images shown are for illustration purpose only.
Actual product may vary due to product enhancement.

ASSEMBLY INSTRUCTIONS

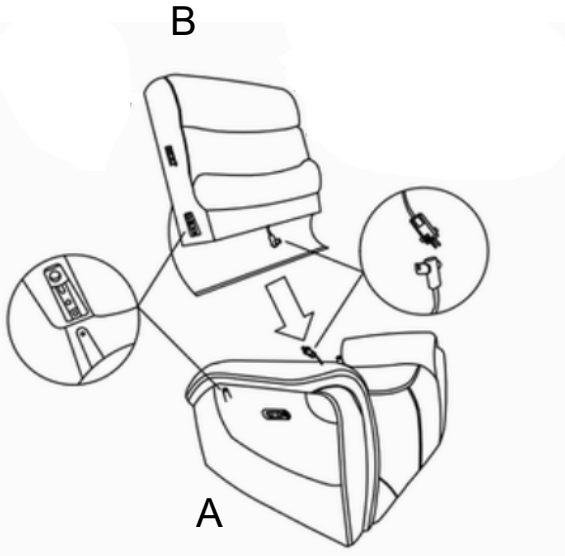
KAMARI COLLECTION

ITEM#: U092-13P2

DESCRIPTION : KAMARI GLIDER RECLINER W/PWR HR & FR

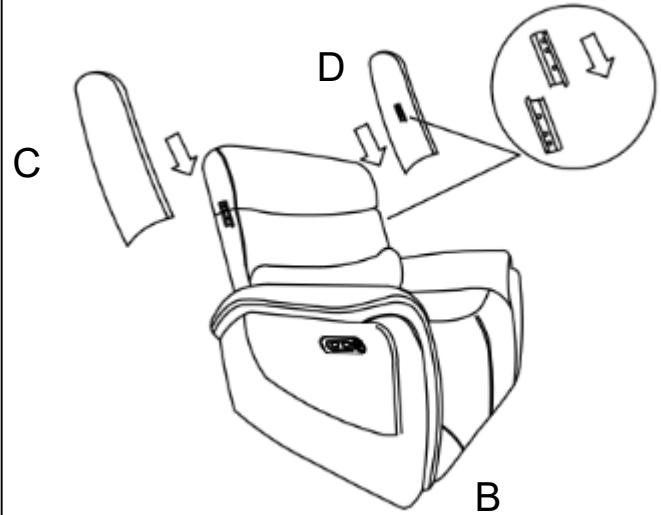
Step 1:

Attach the backrest (B) to the seat (A) and connect the wire between the backrest (B) with the wire on the seat (A).



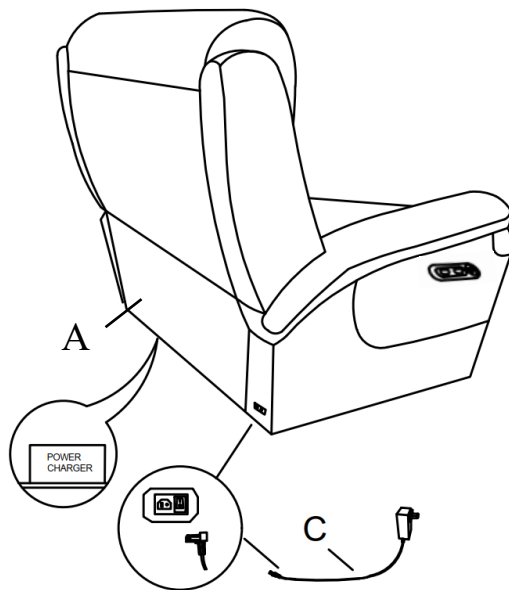
Step 2:

Attach the LSF Wing (C) and RSF Wing (D) to the Backrest (B)



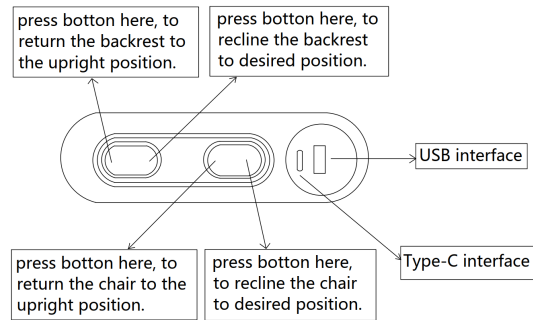
Step 3:

Locate the transformer at the bottom of the Seat (A). Connect the transformer (C) to the power socket on Seat (A).



Step 4:

Open the footrest or move the headrest by pressing the power button.



All images shown are for illustration purpose only. Actual product may vary due to product enhancement.