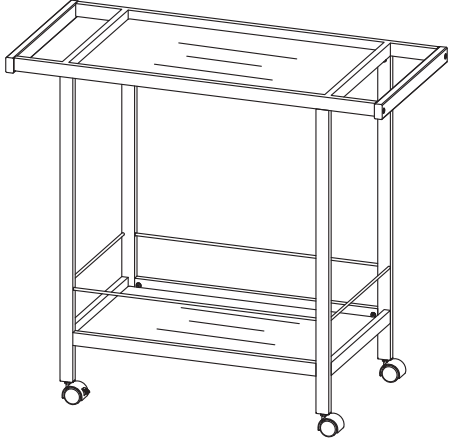
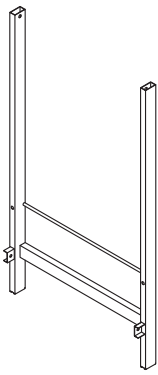
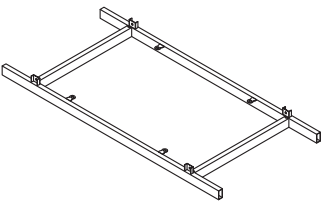
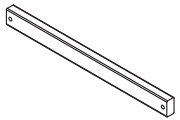



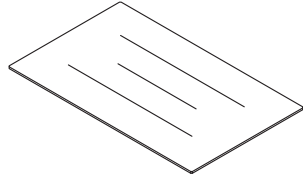
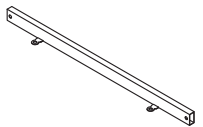
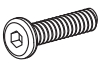
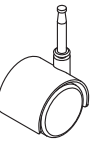

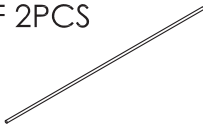

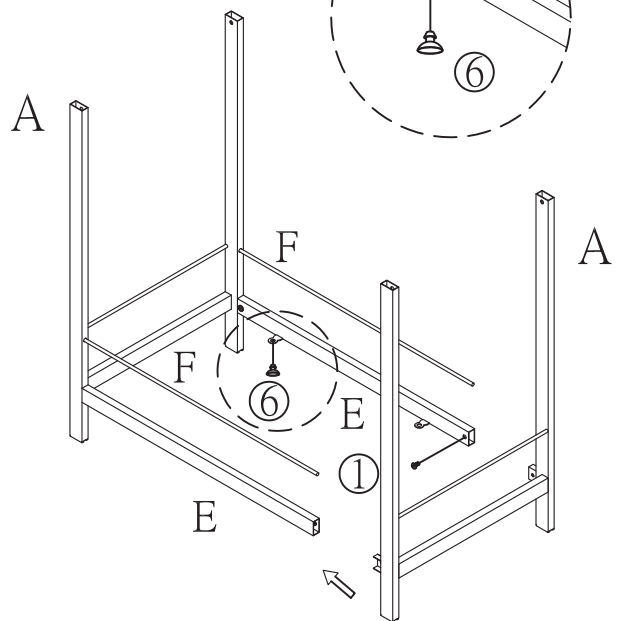


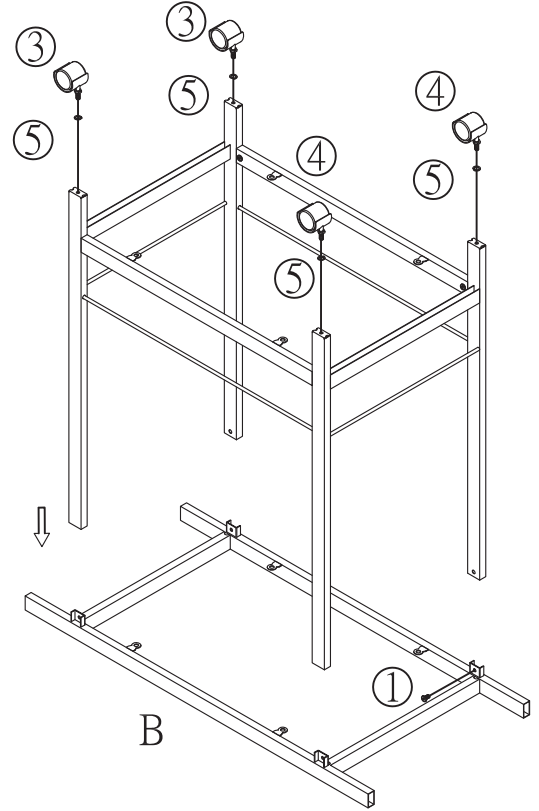
ASSEMBLY INSTRUCTION

FINISH 	A 2PCS 	B 1PC 	D 2PCS 	① 8PCS 	③ 2PCS 	⑤ 4PCS 
		C 2PCS 	E 2PCS 	② 4PCS 	④ 2PCS 	⑥ 8PCS 
			F 2PCS 			1PC 

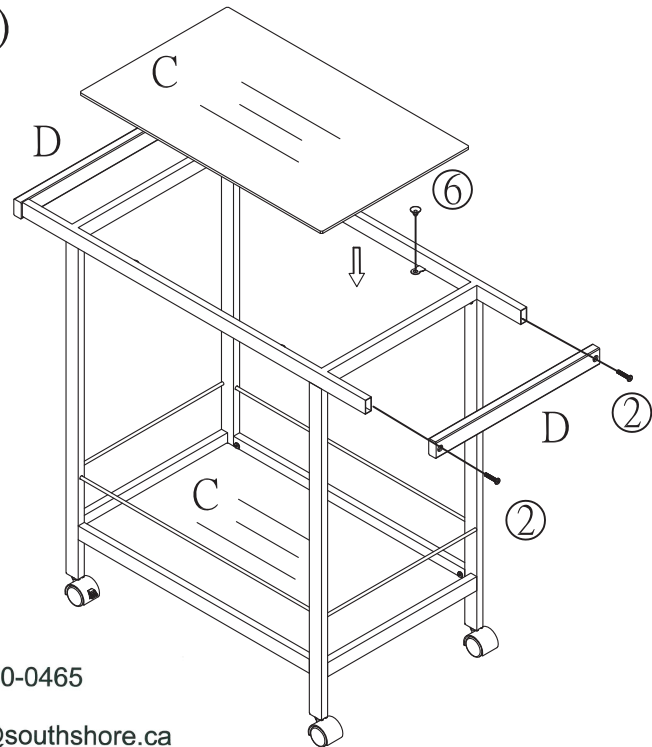
(1)



(2)



(3)



1-800-290-0465



service@southshore.ca



www.southshore.ca

Live Chat available – Clavardage en ligne disponible