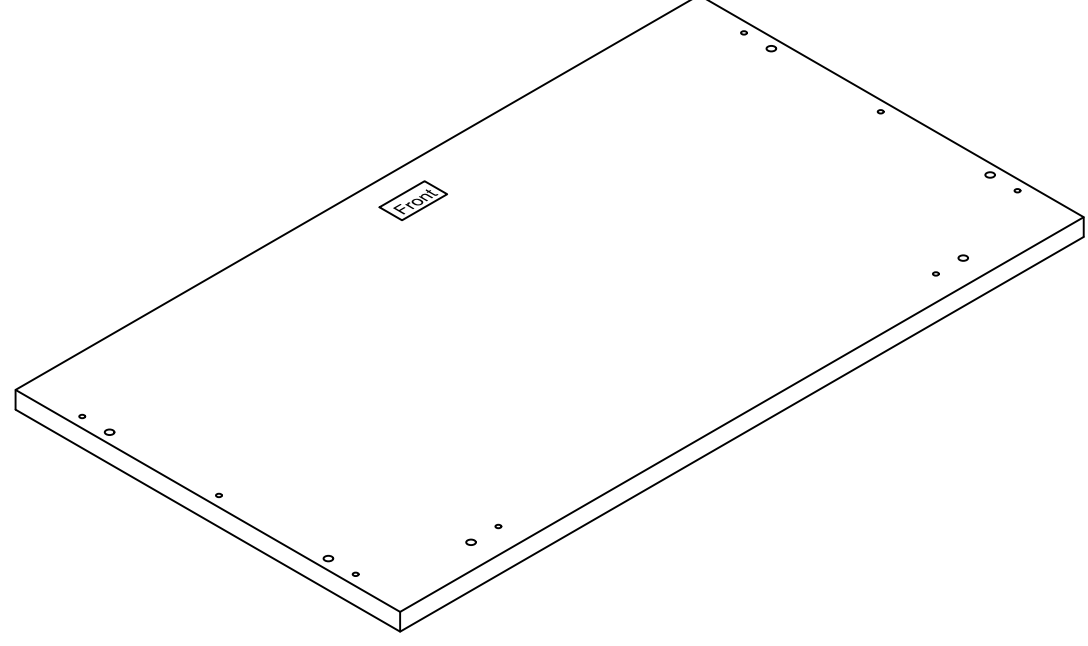
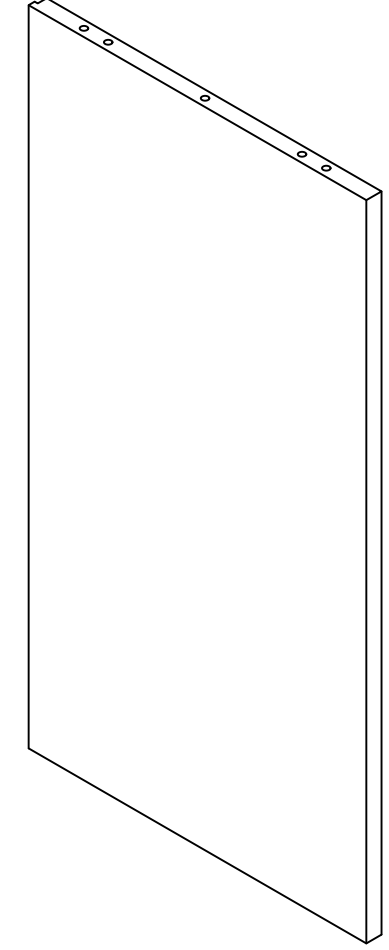
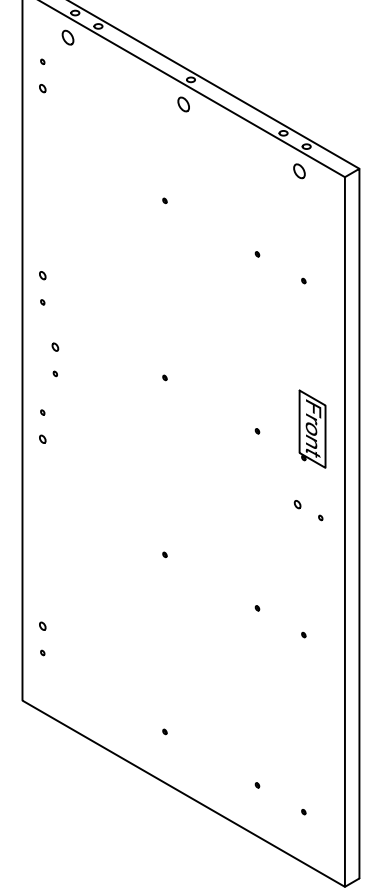
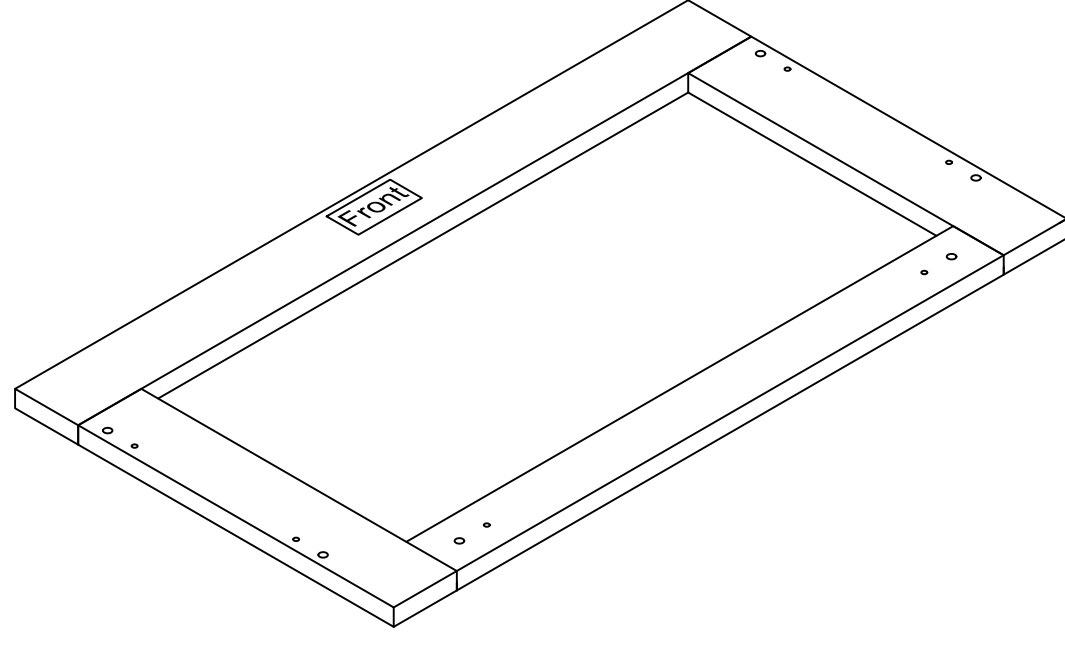
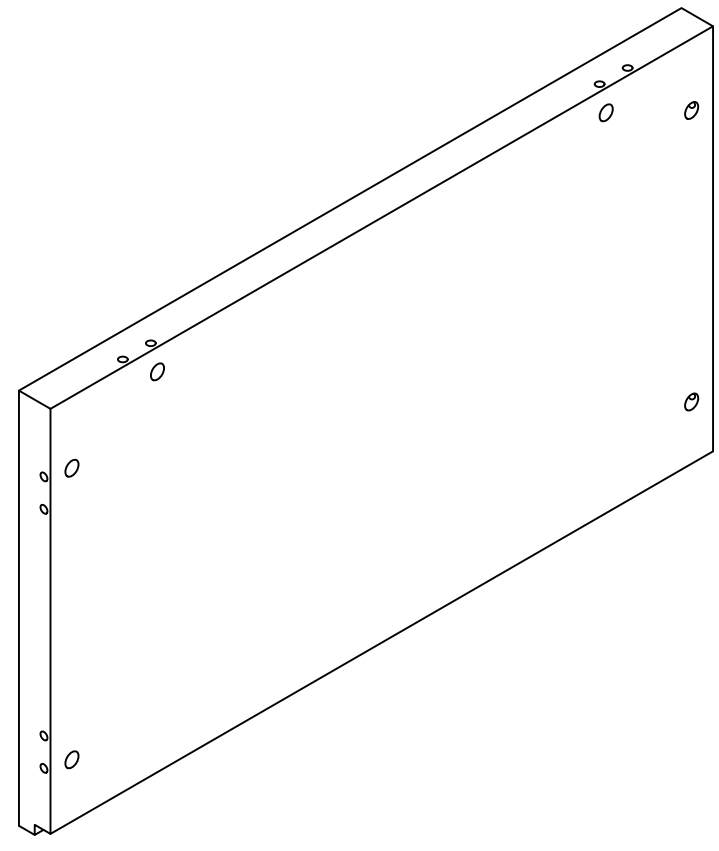
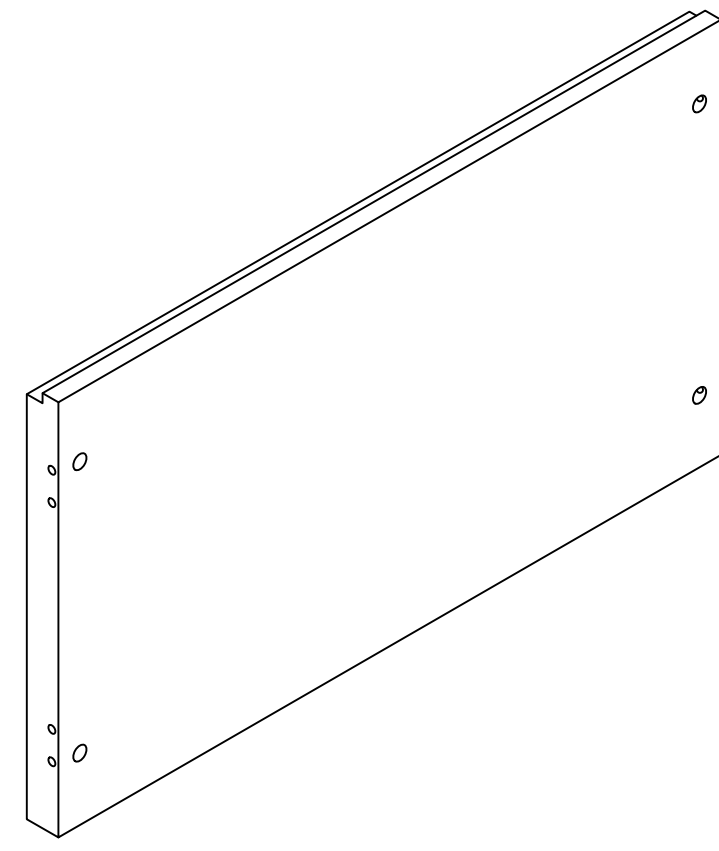
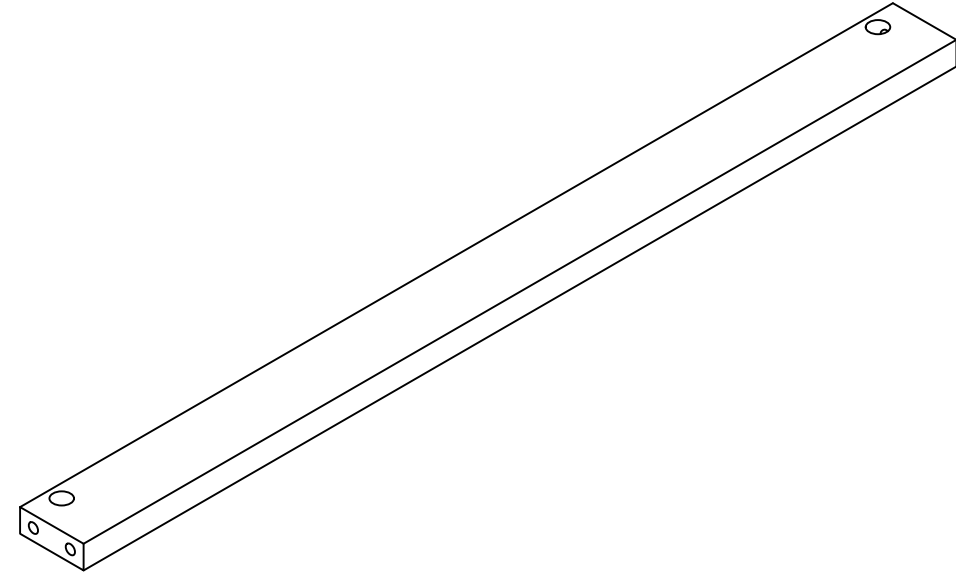
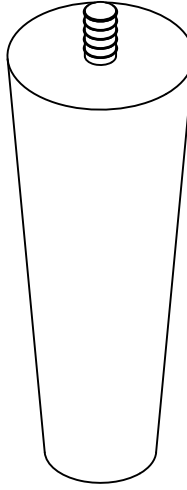
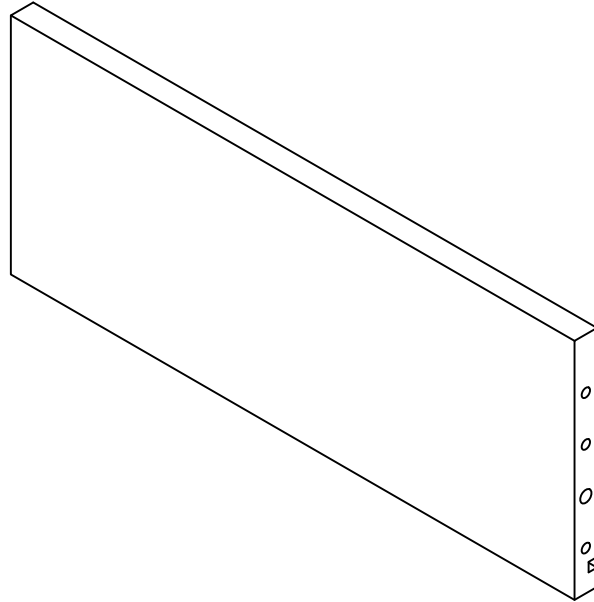
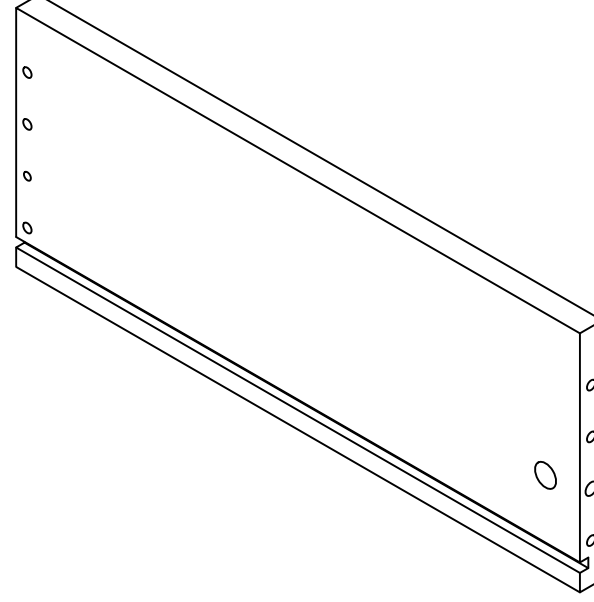
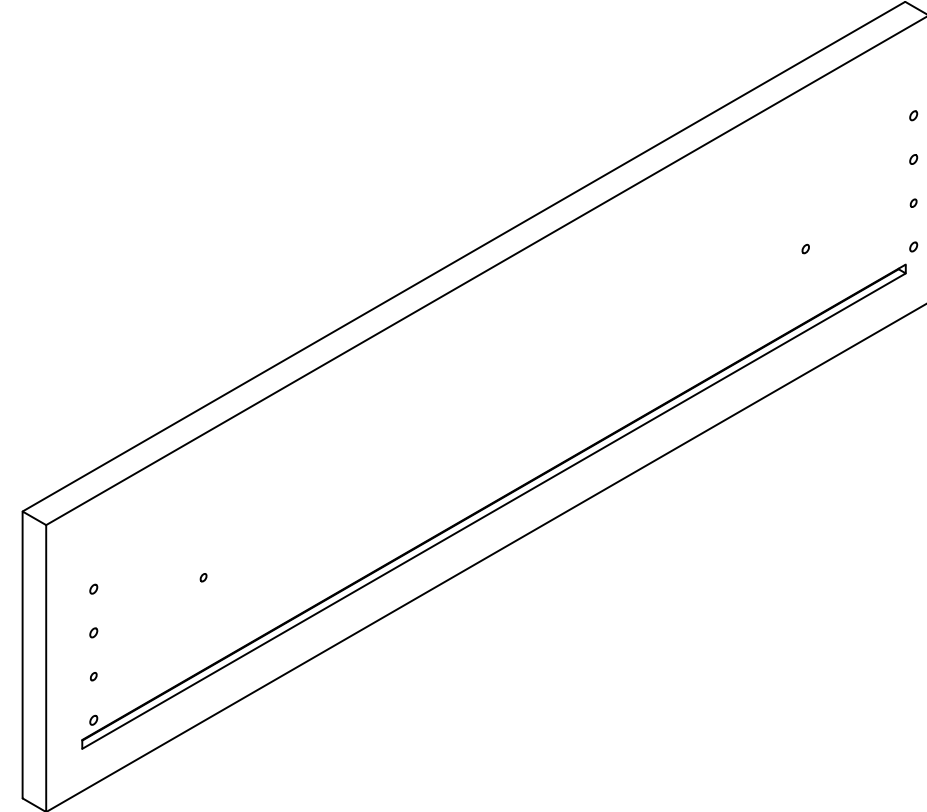
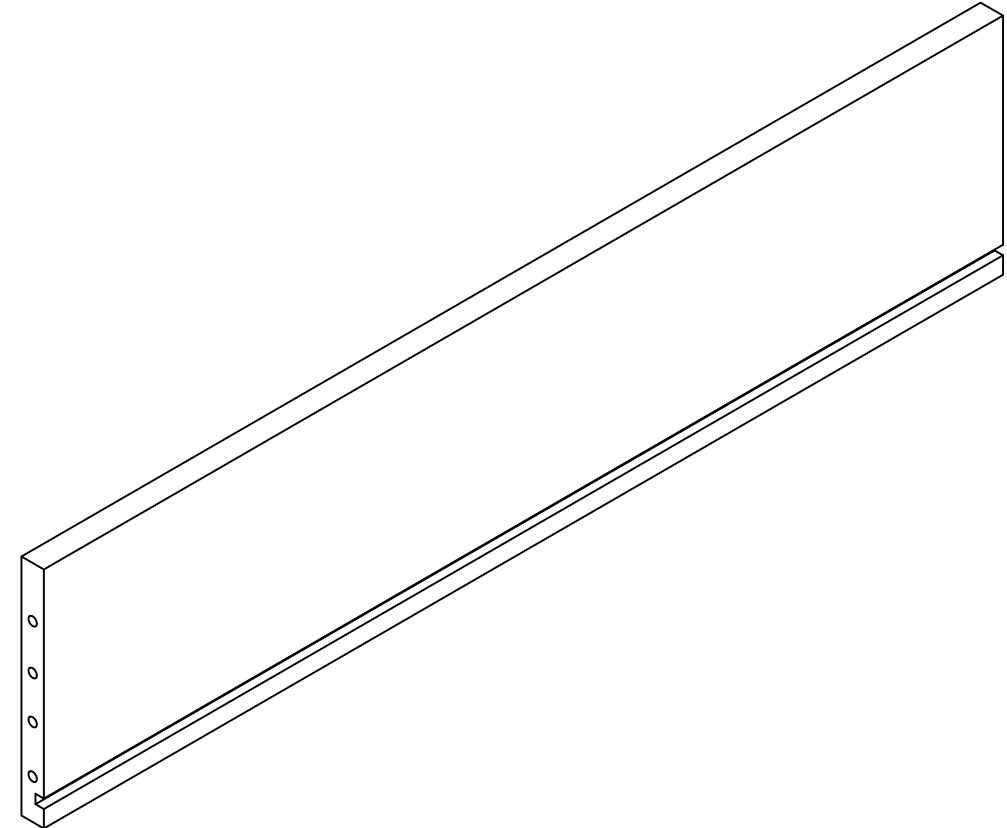
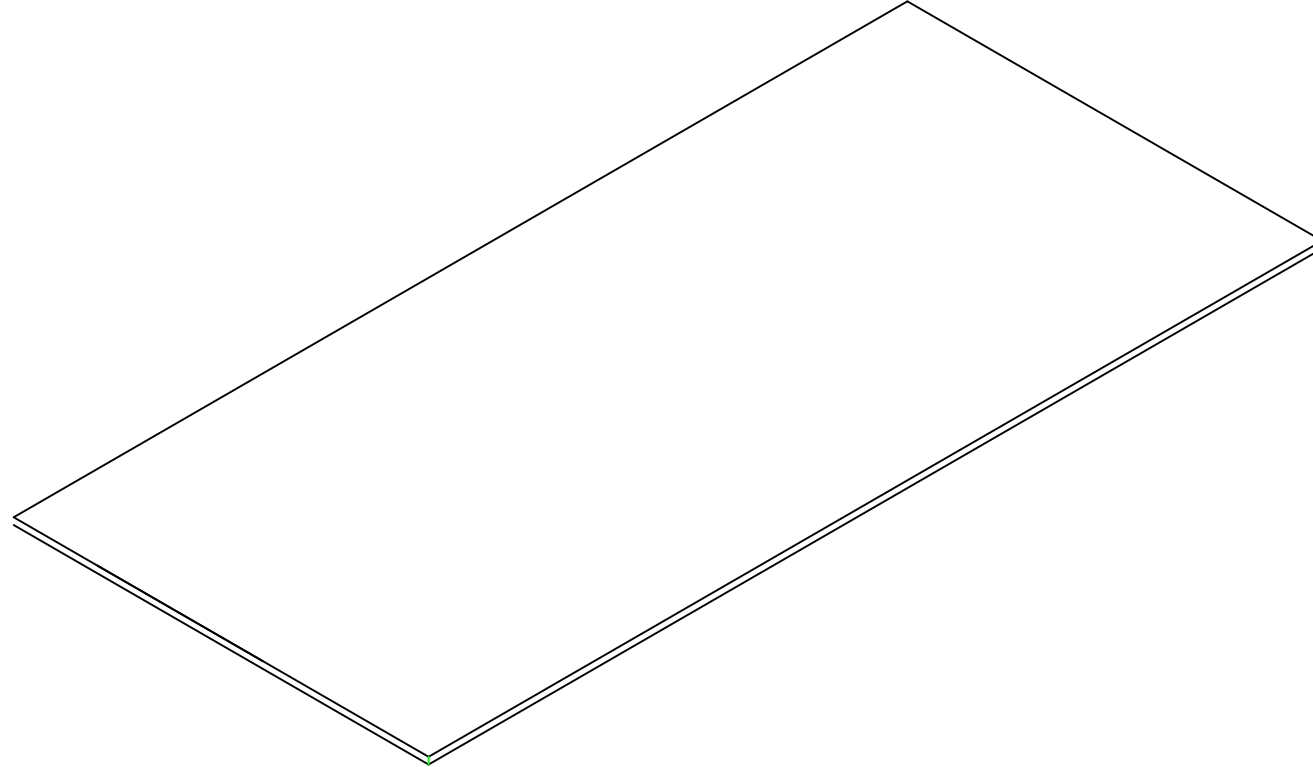
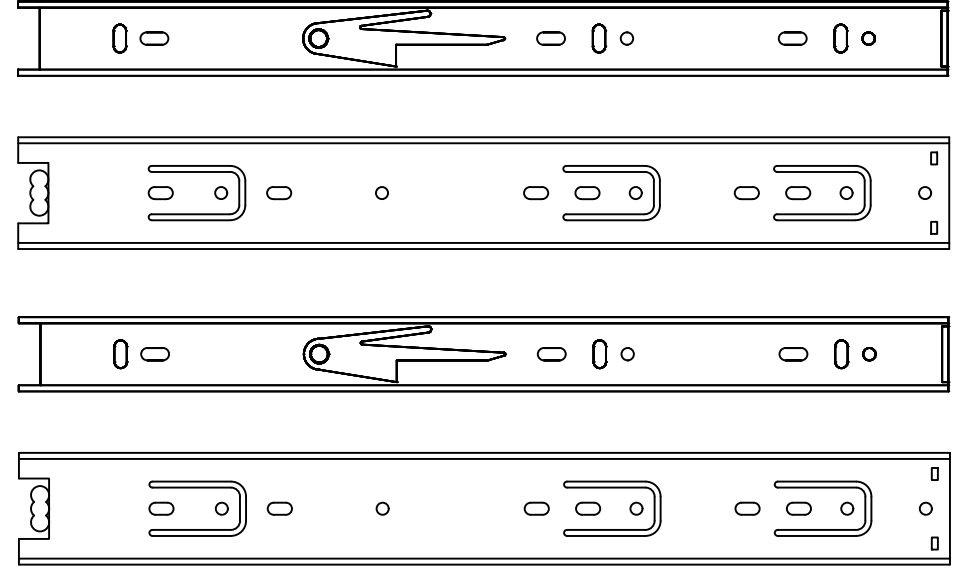
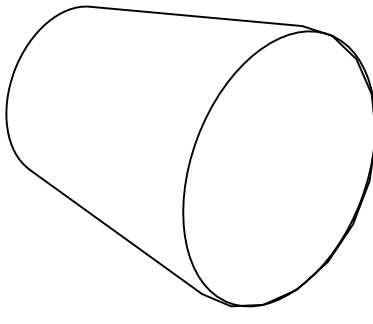
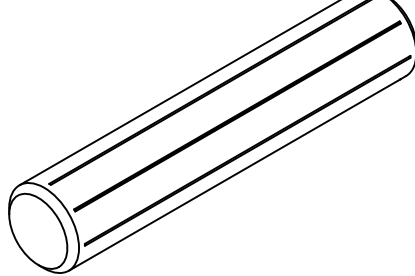
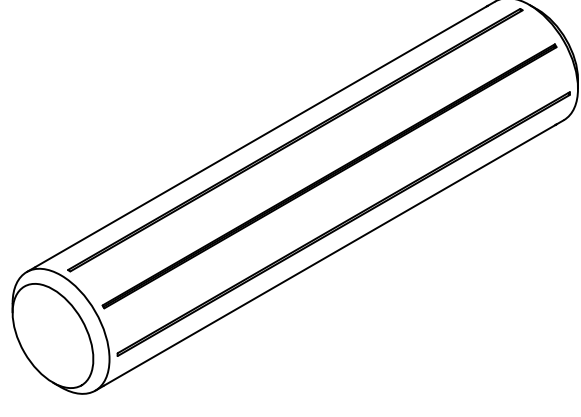
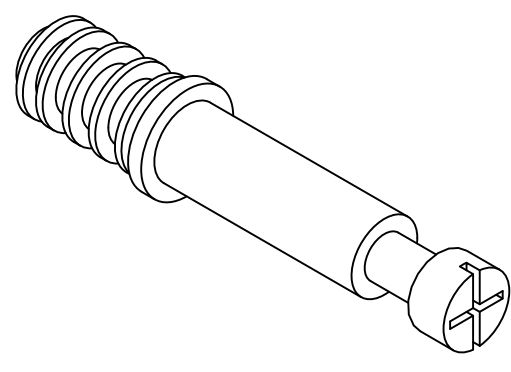
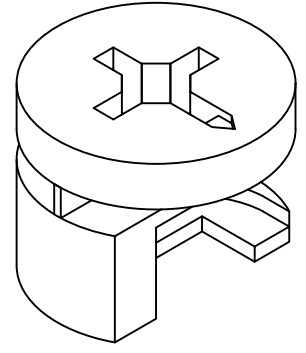
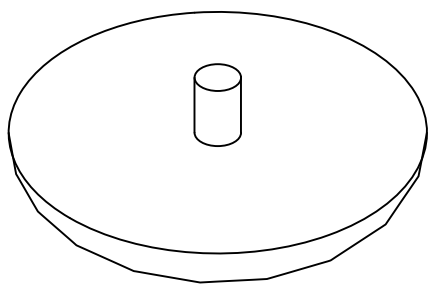
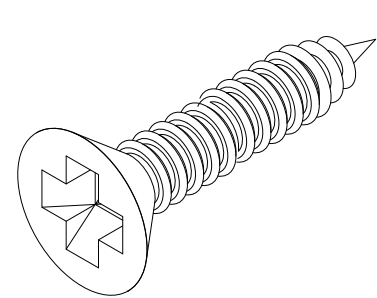


# ASSEMBLY INSTRUCTIONS

## 4-DRAWER CHEST

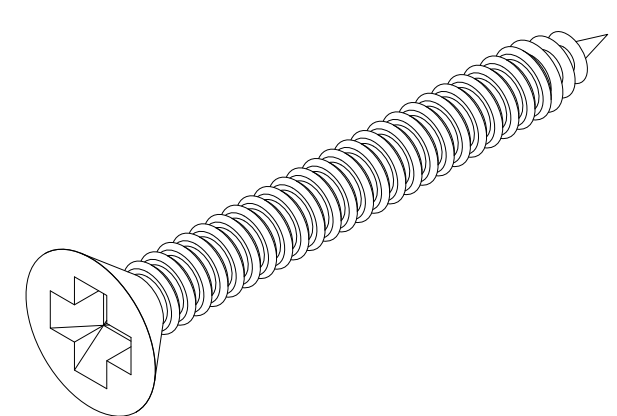
<p><b>A</b> Top Panel</p>  <p>1pc</p>	<p><b>B</b> Left Side Panel</p>  <p>1pc</p>	<p><b>C</b> Right Side Panel</p>  <p>1pc</p>	<p><b>D</b> Bottom Panel</p>  <p>1pc</p>
<p><b>E</b> Back Top Panel</p>  <p>1pc</p>	<p><b>F</b> Back Bottom Panel</p>  <p>1pc</p>	<p><b>G</b> Center Bar</p>  <p>2pcs</p>	<p><b>H</b> Post</p>  <p>4pcs</p>
<p><b>I</b> Left Drawer Side</p>  <p>4pcs</p>	<p><b>J</b> Right Drawer Side</p>  <p>4pcs</p>	<p><b>K</b> Drawer Front</p>  <p>4pcs</p>	<p><b>L</b> Drawer Back</p>  <p>4pcs</p>
<p><b>M</b> Drawer Base</p>  <p>4pcs</p>	<p><b>N</b> Runner 300mm</p>  <p>4sets</p>	<p><b>O</b> Handle</p>  <p>8pcs</p>	<p><b>P</b> Dowel M6 x 30mm</p>  <p>48pcs</p>
<p><b>Q</b> Dowel M8 x 35mm</p>  <p>24pcs</p>	<p><b>R</b> Cam Bolt 5 x 25mm</p>  <p>36pcs</p>	<p><b>S</b> Cam Lock 15 x 12mm</p>  <p>36pcs</p>	<p><b>T</b> Cam Lock Cover 17 x 5mm</p>  <p>36pcs</p>

**U** Screw  
M3 x 16mm



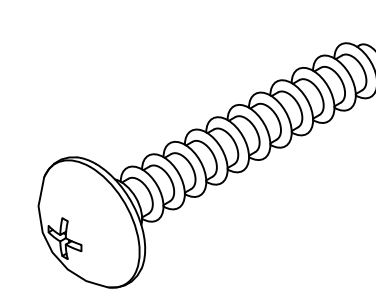
48pcs

**V** Screw  
M4 x 38mm



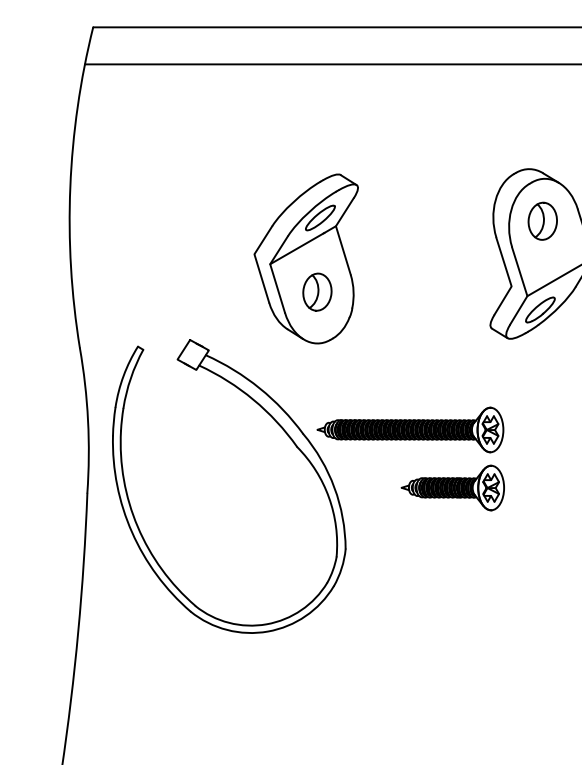
6pcs

**W** Panhead Screw  
M4 x 25mm

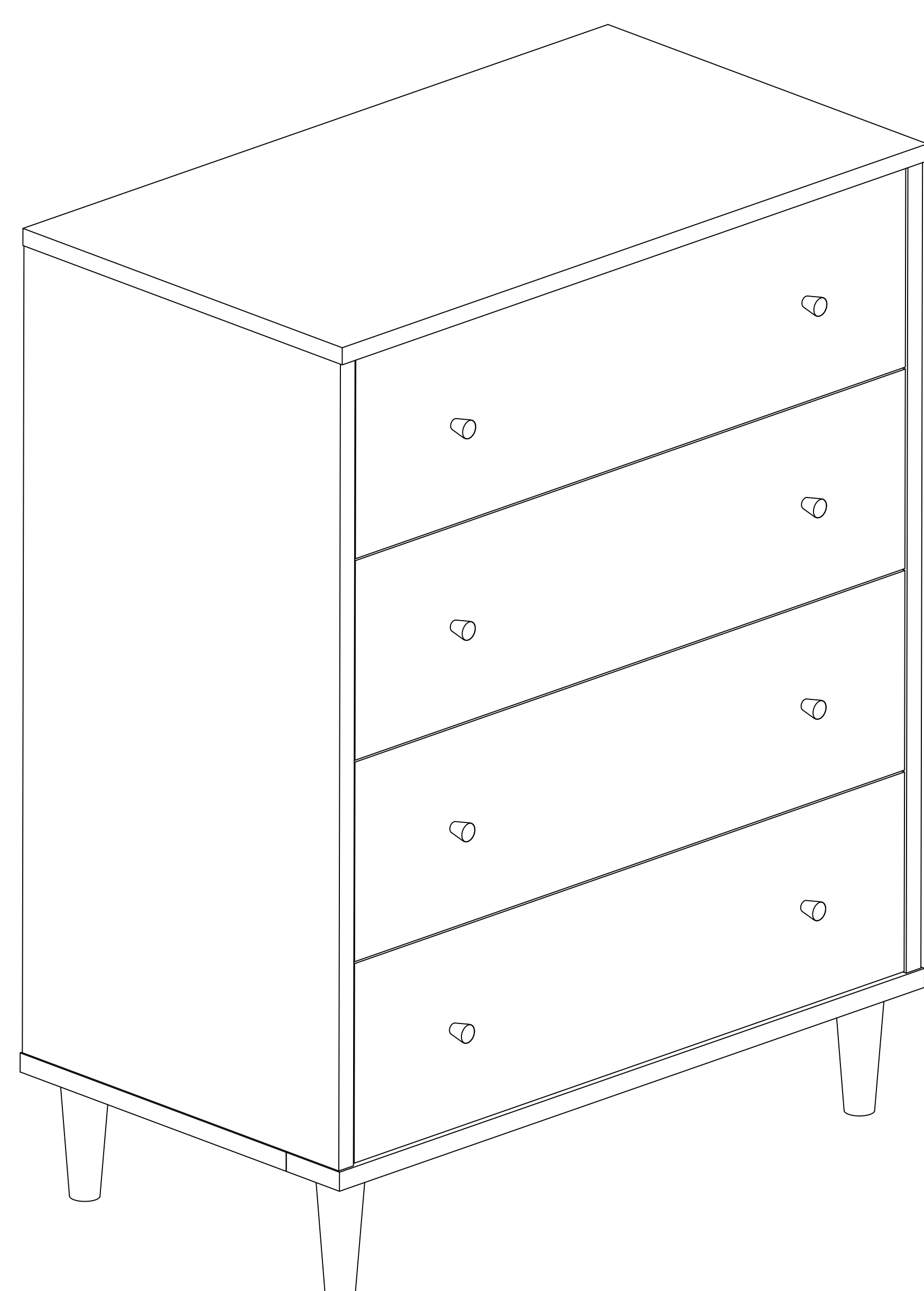


8pcs

**X** Anti-Tip Kit



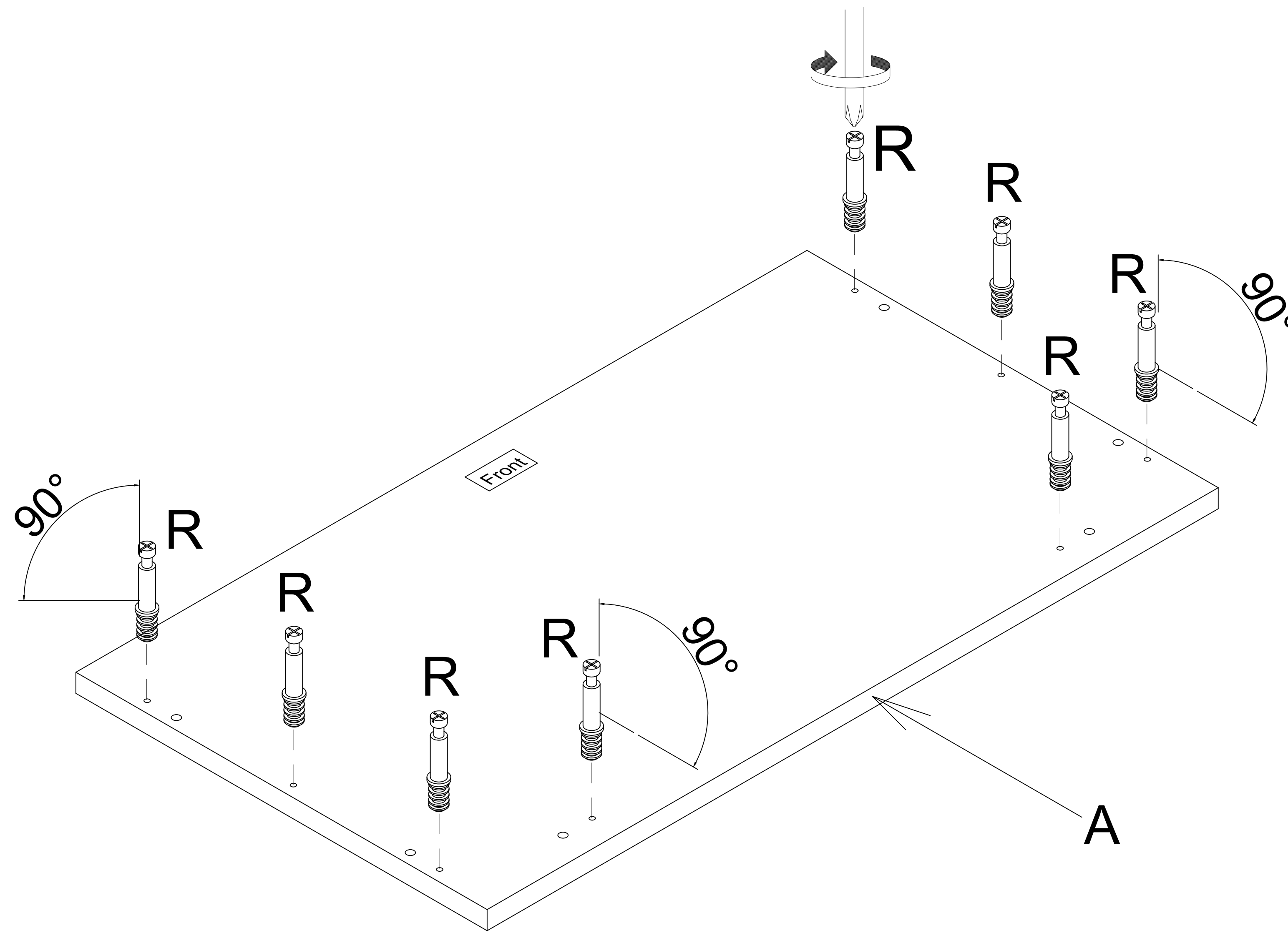
1set



These pages list all the contents included in the box. Please take the time to identify the hardware as well as the individual components to this product. As you unpack and prepare for assembly, place the contents on a carpeted or padded area to protect them from damage.

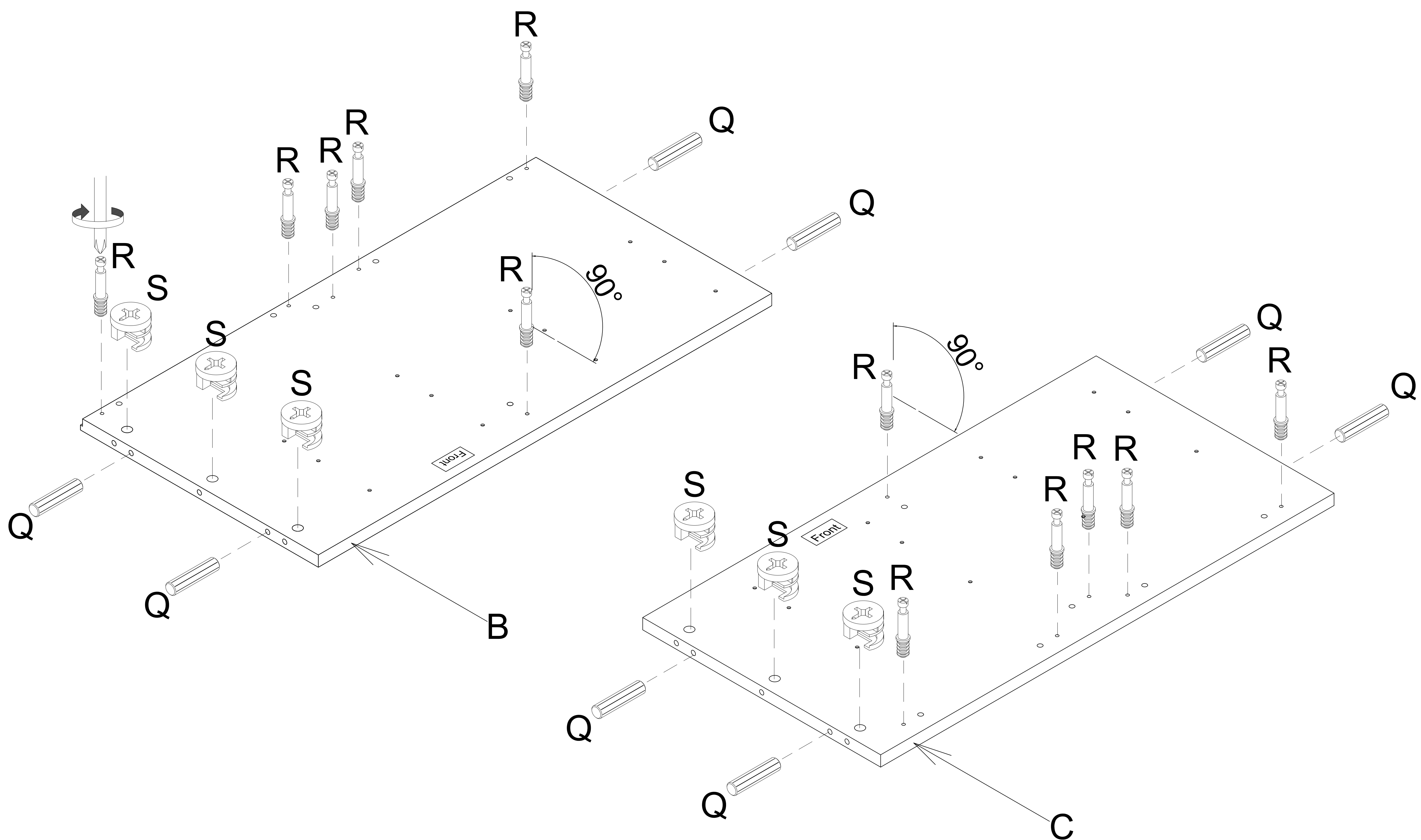
**1**

Insert Cam Bolt (R) into the Top Panel (A) with a screwdriver (not provided).

**2**

Insert Dowel (Q), Cam Bolt (R) and Cam Lock (S) into the Left & Right Side Panel (B & C) with a screwdriver (not provided).

NOTE : - Ensure the arrows on each Cam Lock (S) point towards the nearest edge with holes.

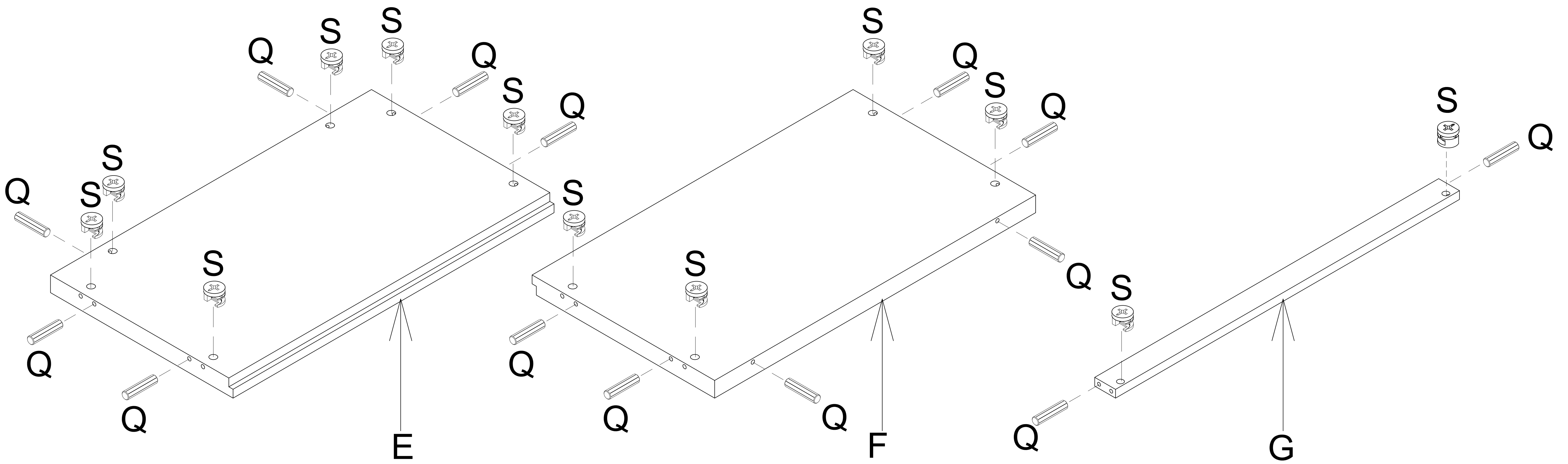
**3**



**3**

Insert Dowel (Q) and Cam Lock (S) into the Back Top Panel (E), the Back Bottom Panel (F) and the Center Bar (G).

NOTE : - Ensure the arrows on each Cam Lock (S) point towards the nearest edge with holes.

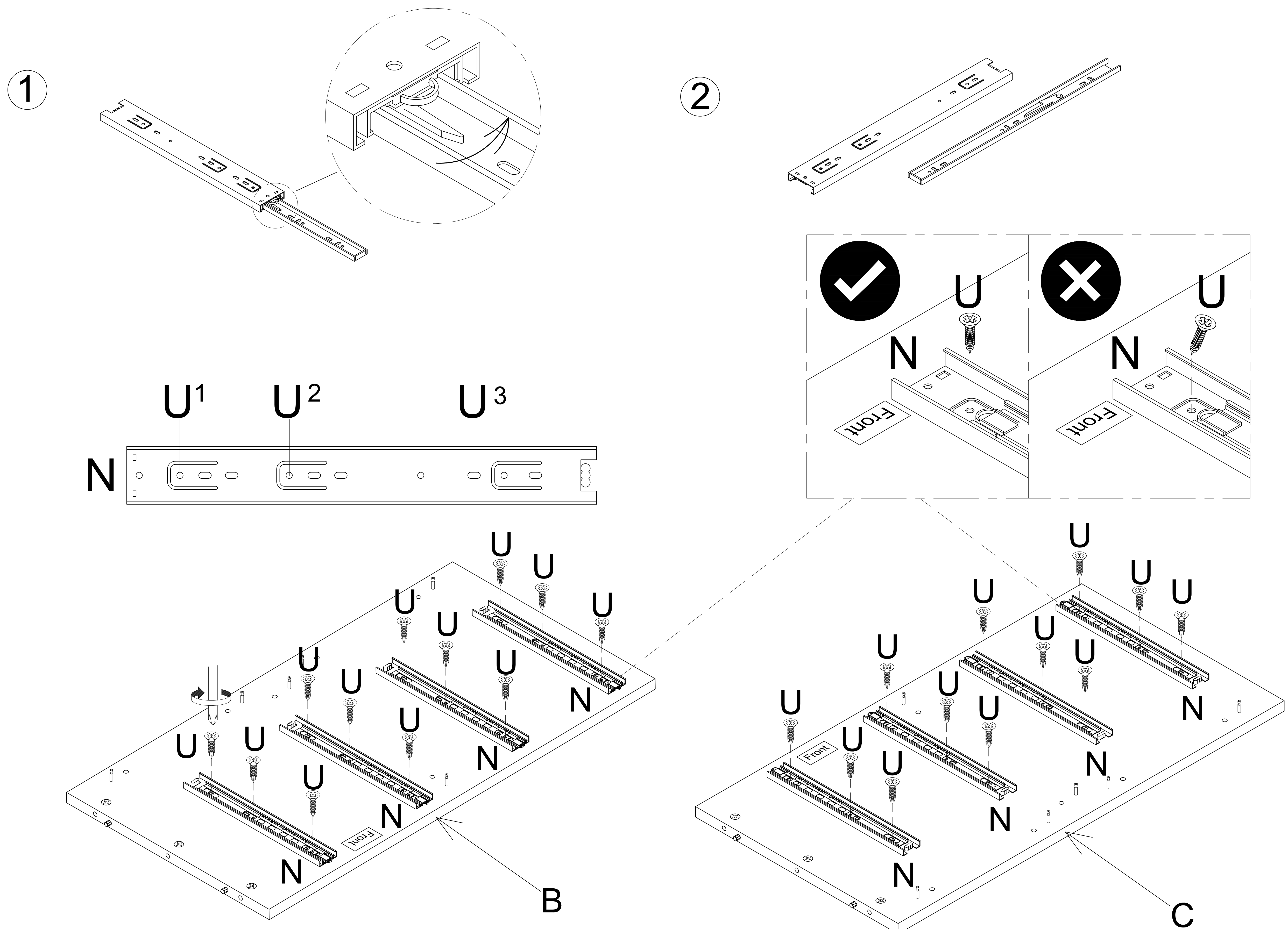
**4**

Disassemble the Runner (N) into two parts. Attach one part with runner rollers to the Left & Right Side Panel (B & C) using Screw (U) with a screwdriver (not provided). Attach the other part with slides to the Left & Right Drawer Side (I & J).

NOTE : - Runner (N) should face the front of the panel.

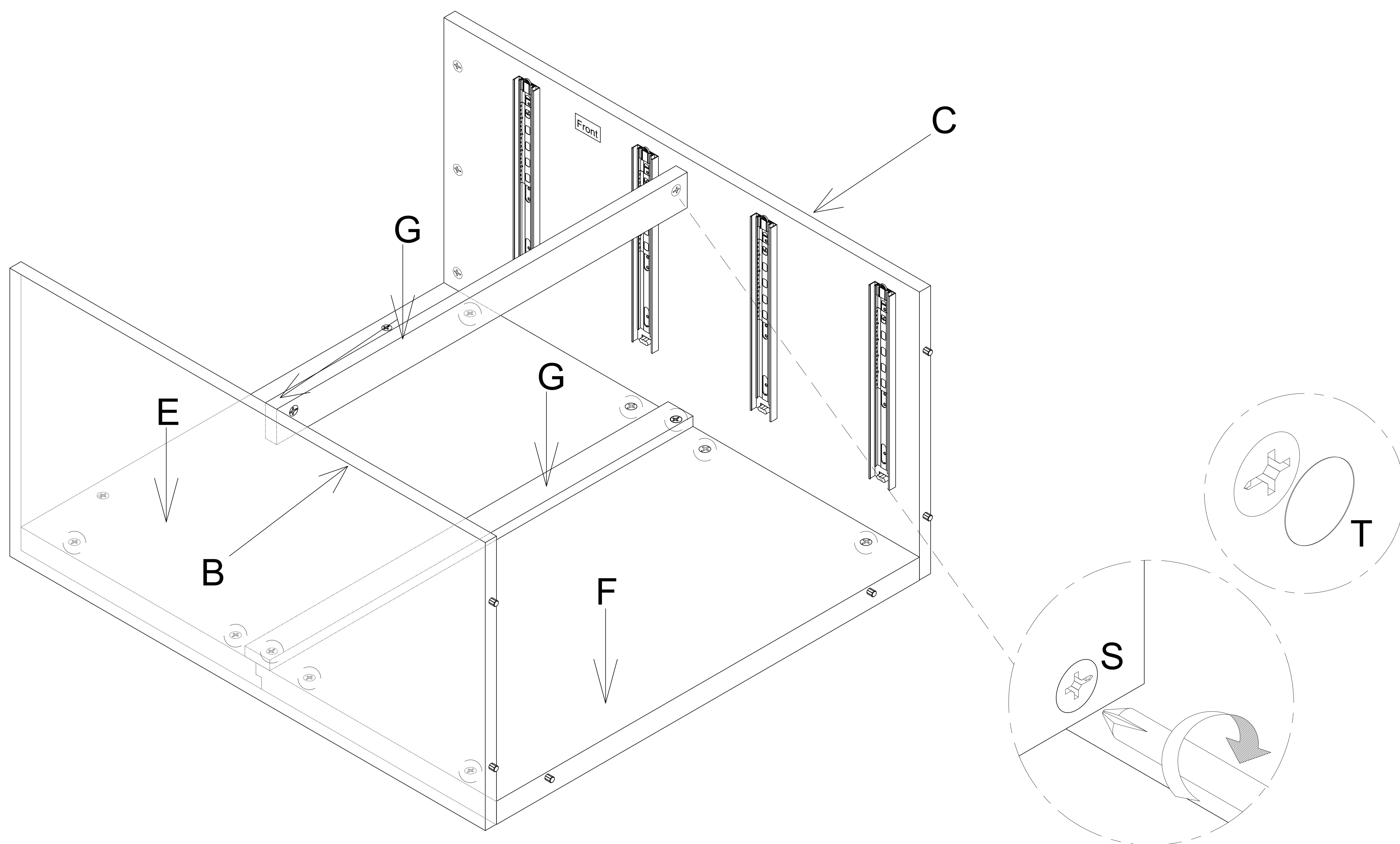
- Assemble Screw (U) from the front of the runner, starting with U<sup>1</sup>, U<sup>2</sup>, then U<sup>3</sup>.
- Ensure screws are installed vertically without tilting to fit properly into the holes.

#### EXTENSION RUNNER DISASSEMBLE STEPS:



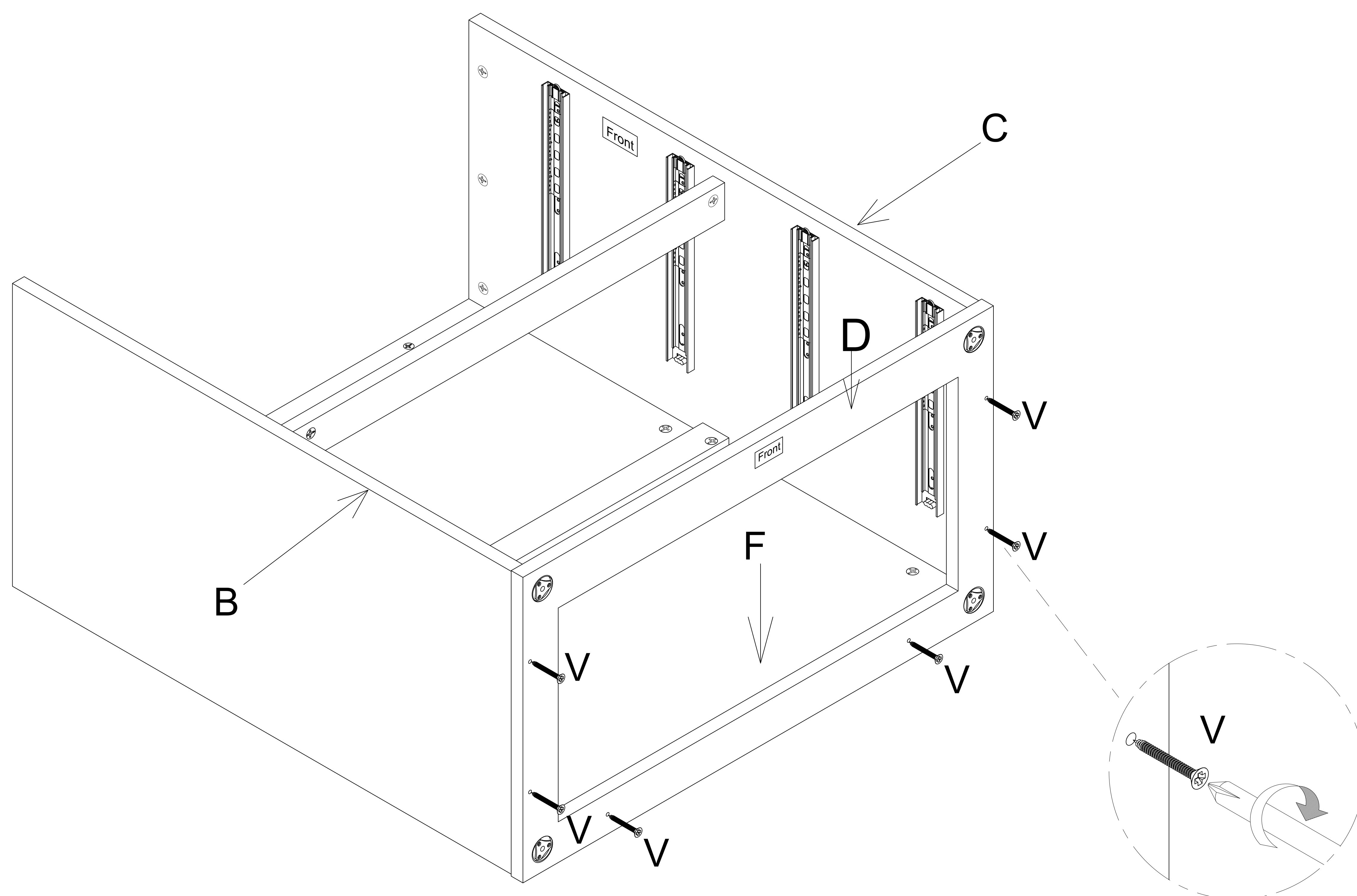
**5** Attach the Left & Right Side Panel (B & C) to the Center Bar (G) and the Back Top & Bottom Panel (E & F) and secure the Cam Lock (S) with a screwdriver (not provided). Cover the Cam Lock (S) with Cam Lock Cover (T).

NOTE : - Do not over tighten the Cam Lock (S).



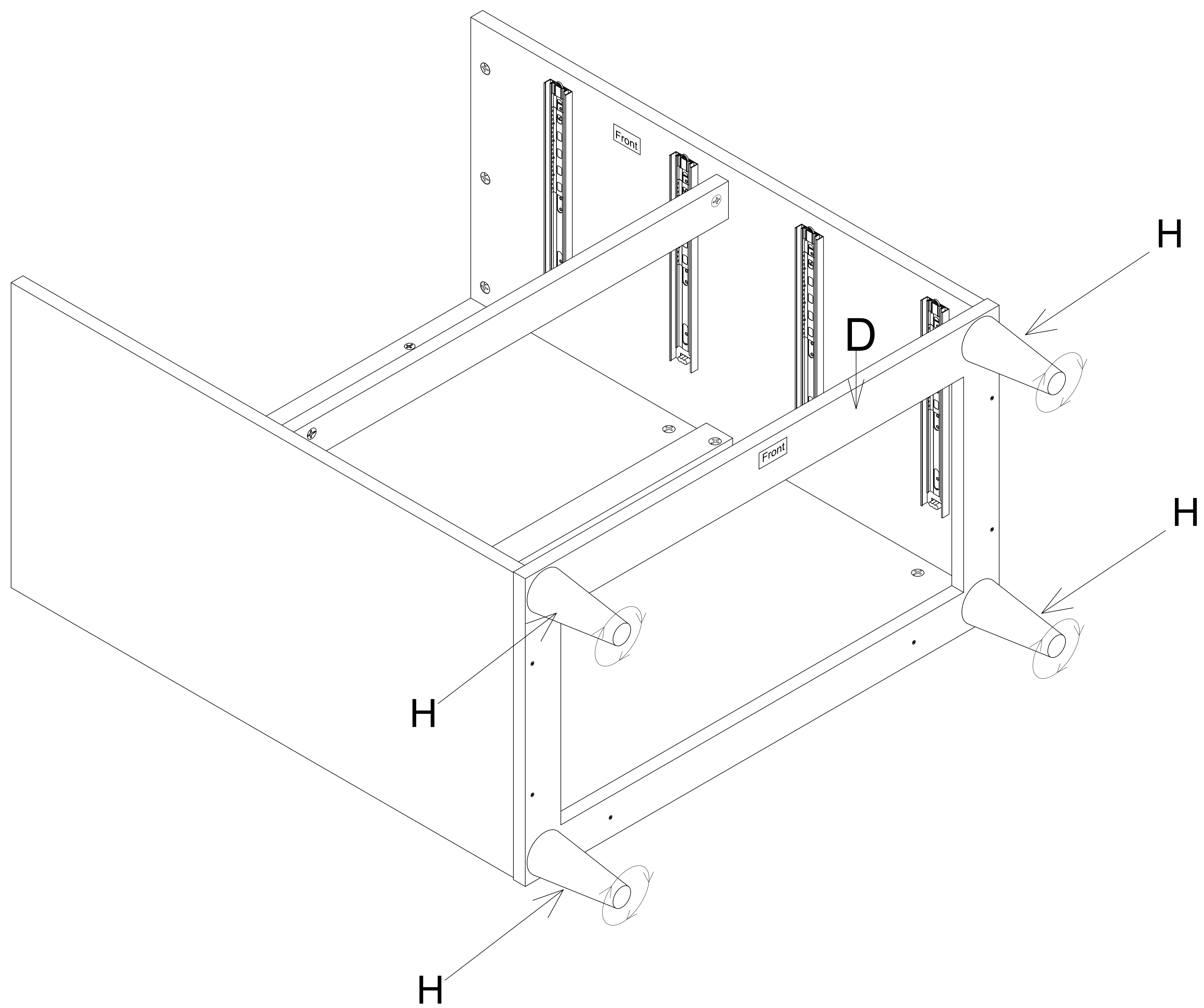
**6** Attach the Bottom Panel (D) to the Left & Right Side Panel (B & C) and Back Bottom Panel (F) using Screw (V) with a screwdriver (not provided).

NOTE : - Do not over tighten the Screw (V).

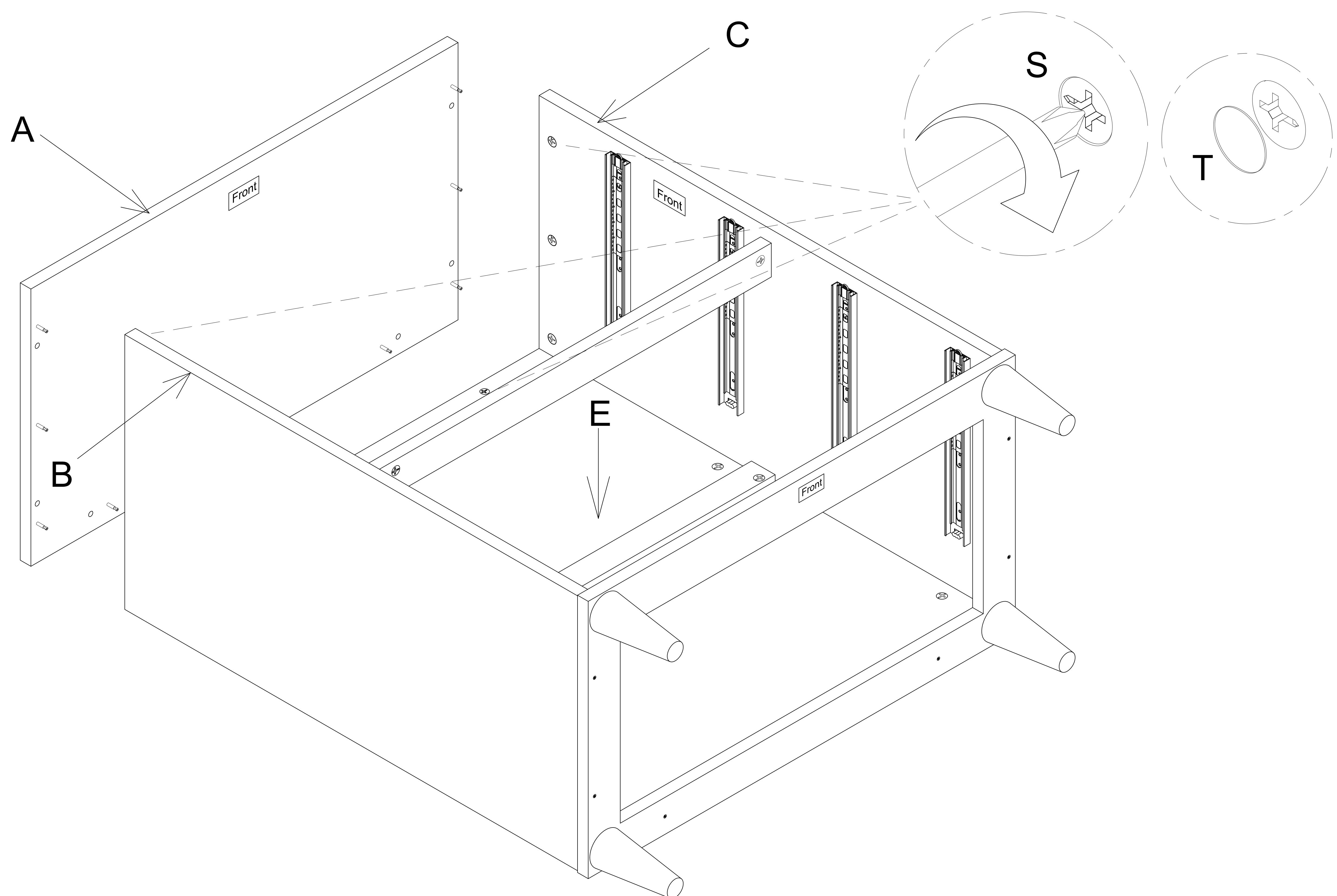


**7**

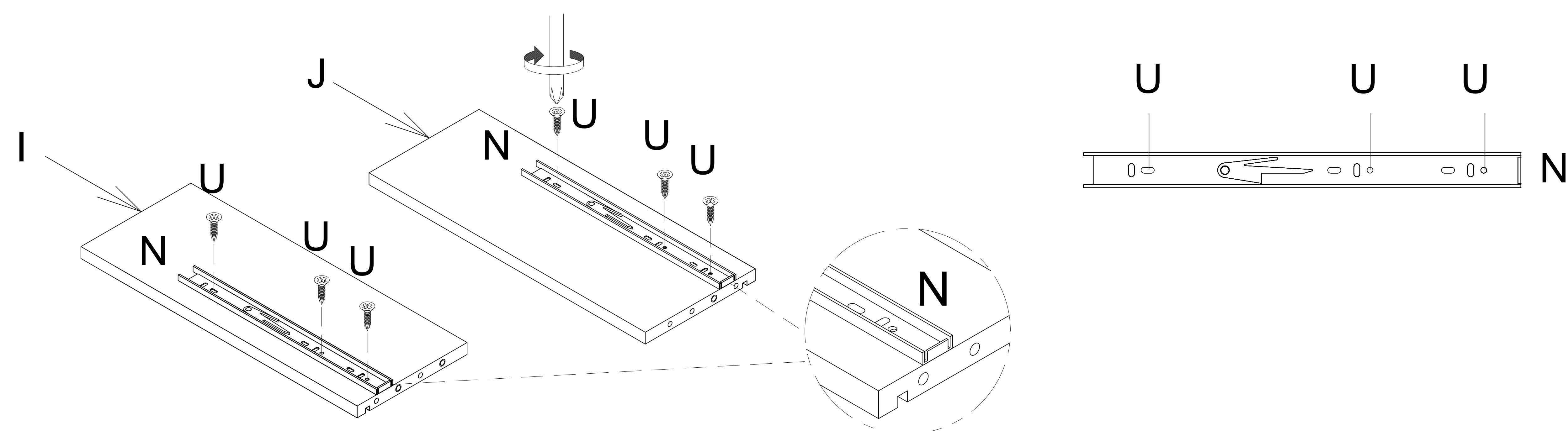
Attach the Post (H) to the Bottom Panel (D) by turning clockwise.

**8**

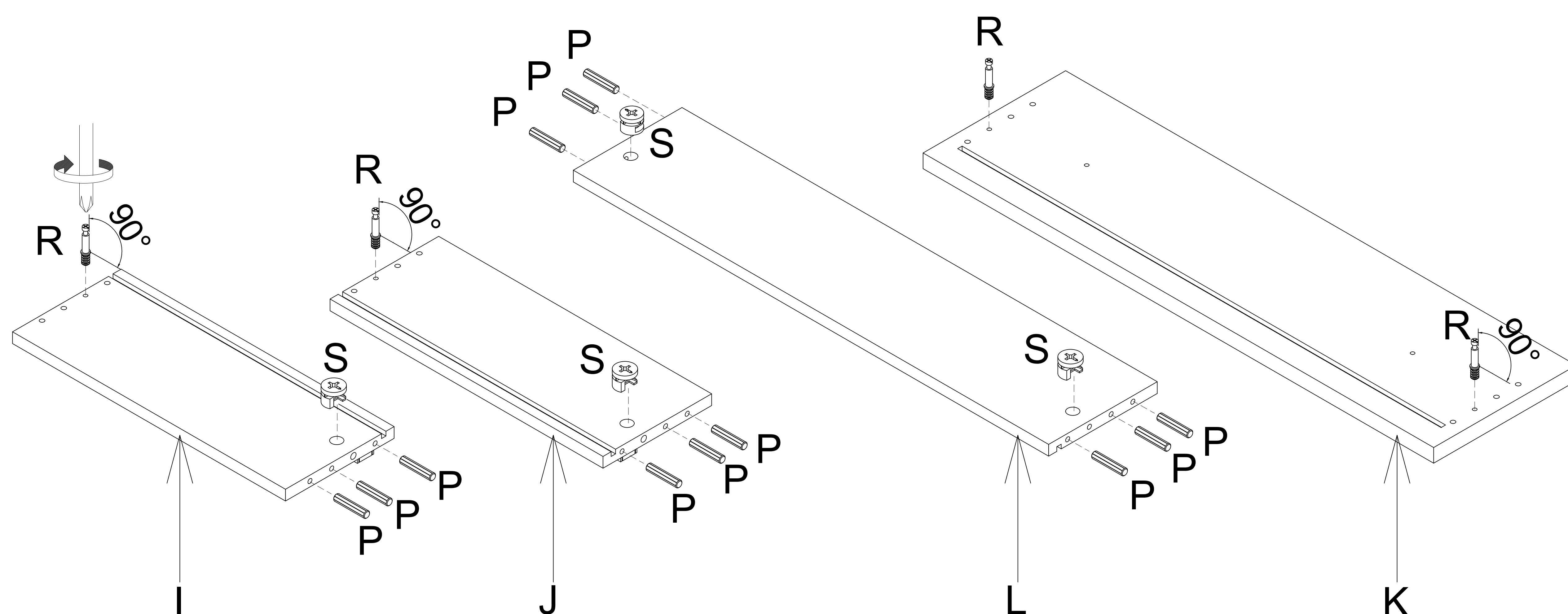
Attach the Top Panel (A) to the Left & Right Side Panel (B & C), the Back Top Panel (E) and secure the Cam Lock (S) with a screwdriver (not provided). Cover the Cam Lock (S) with Cam Lock Cover (T).



**9** Attach Runner (N) to the Left & Right Drawer Side (I & J) using Screw (U) with a screwdriver (not provided).

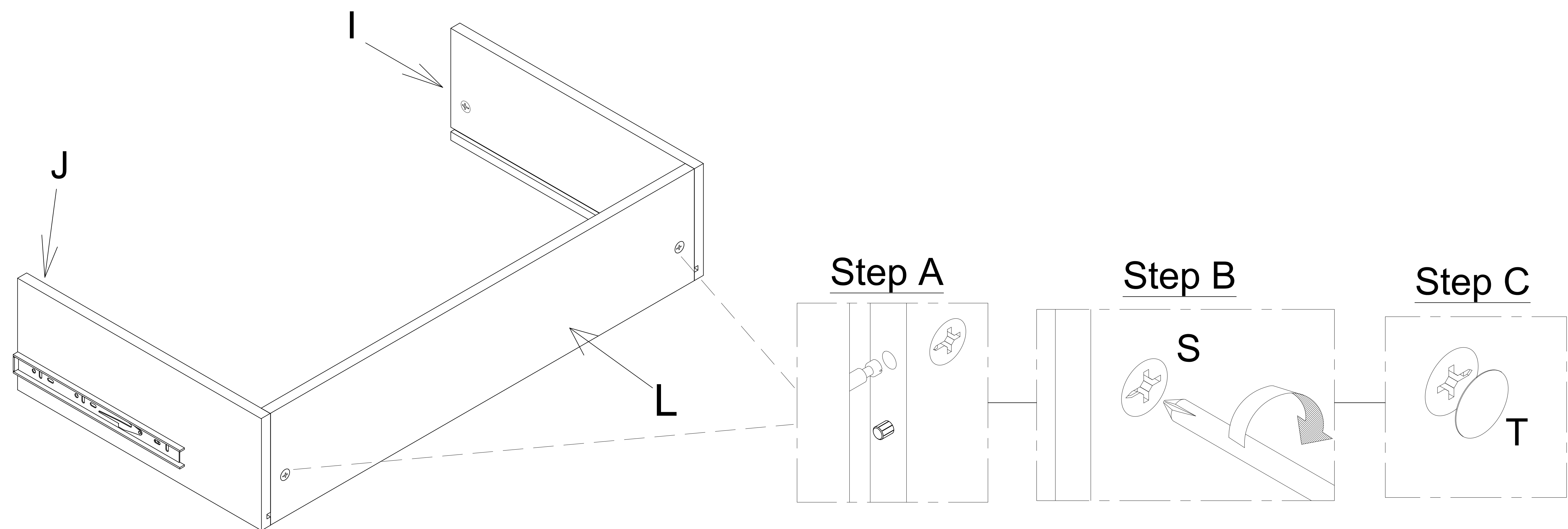


**10** Attach Dowel (P) and Cam Lock (S) to the Left & Right Drawer Side (I & J) and the Drawer Back (L). Attach Cam Bolt (R) to the Left & Right Drawer Side (I & J) and the Drawer Front (K) with a screwdriver (not provided).

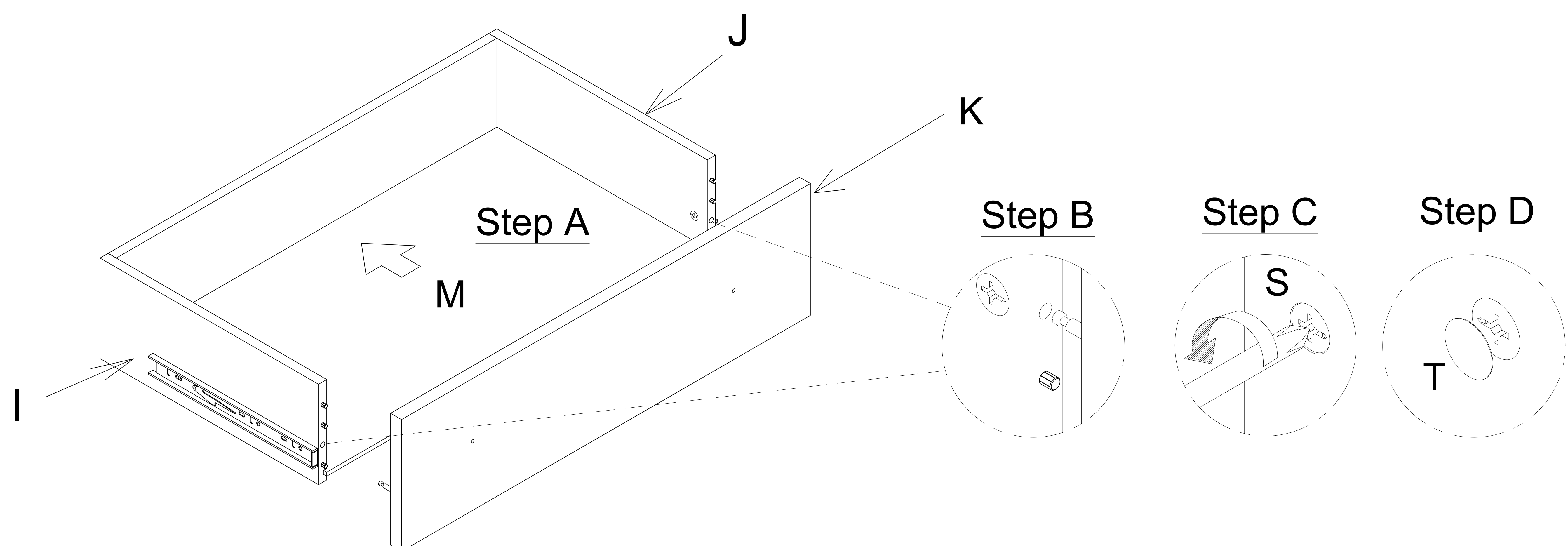




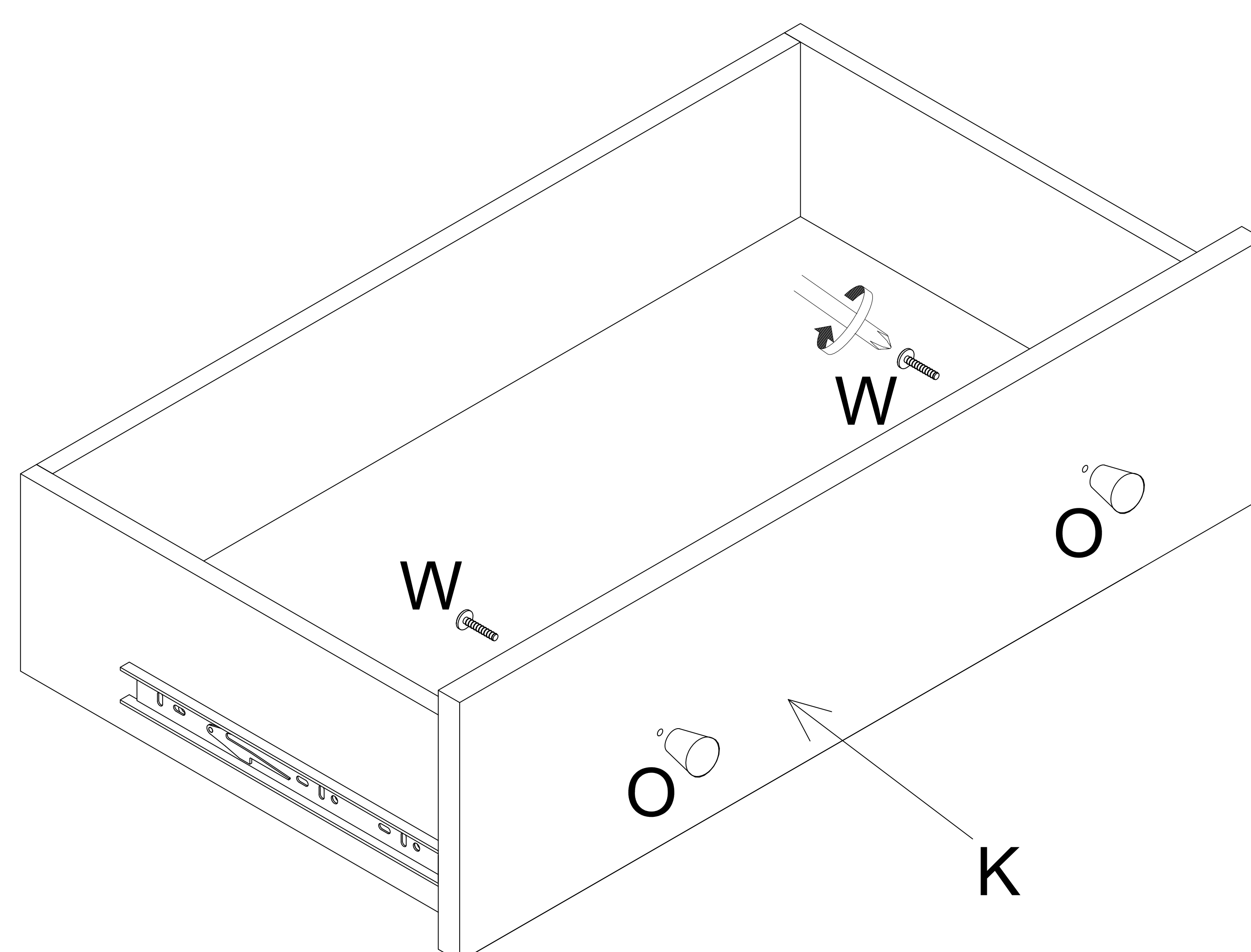
**11** Attach the Left & Right Drawer Side (I & J) to the Drawer Back (L) and secure the Cam Lock (S) with a screwdriver (not provided). Cover the Cam Lock (S) with Cam Lock Cover (T).



**12** Slot the Drawer Base (M) into the grooves of the drawer box. Attach the Drawer Front (K) to the drawer box and secure the Cam Lock (S) with a screwdriver (not provided). Cover the Cam Lock (S) with Cam Lock Cover (T).

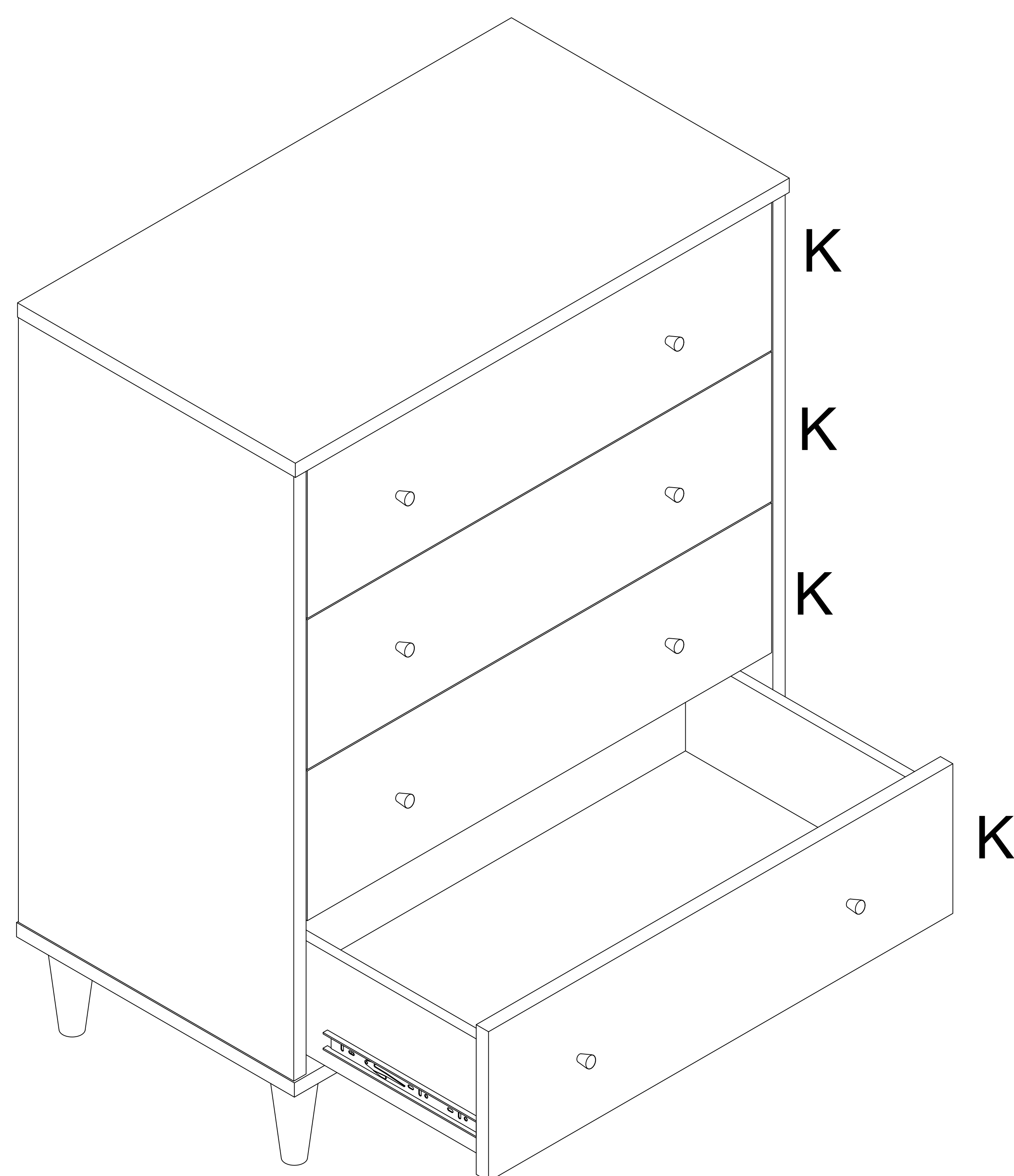
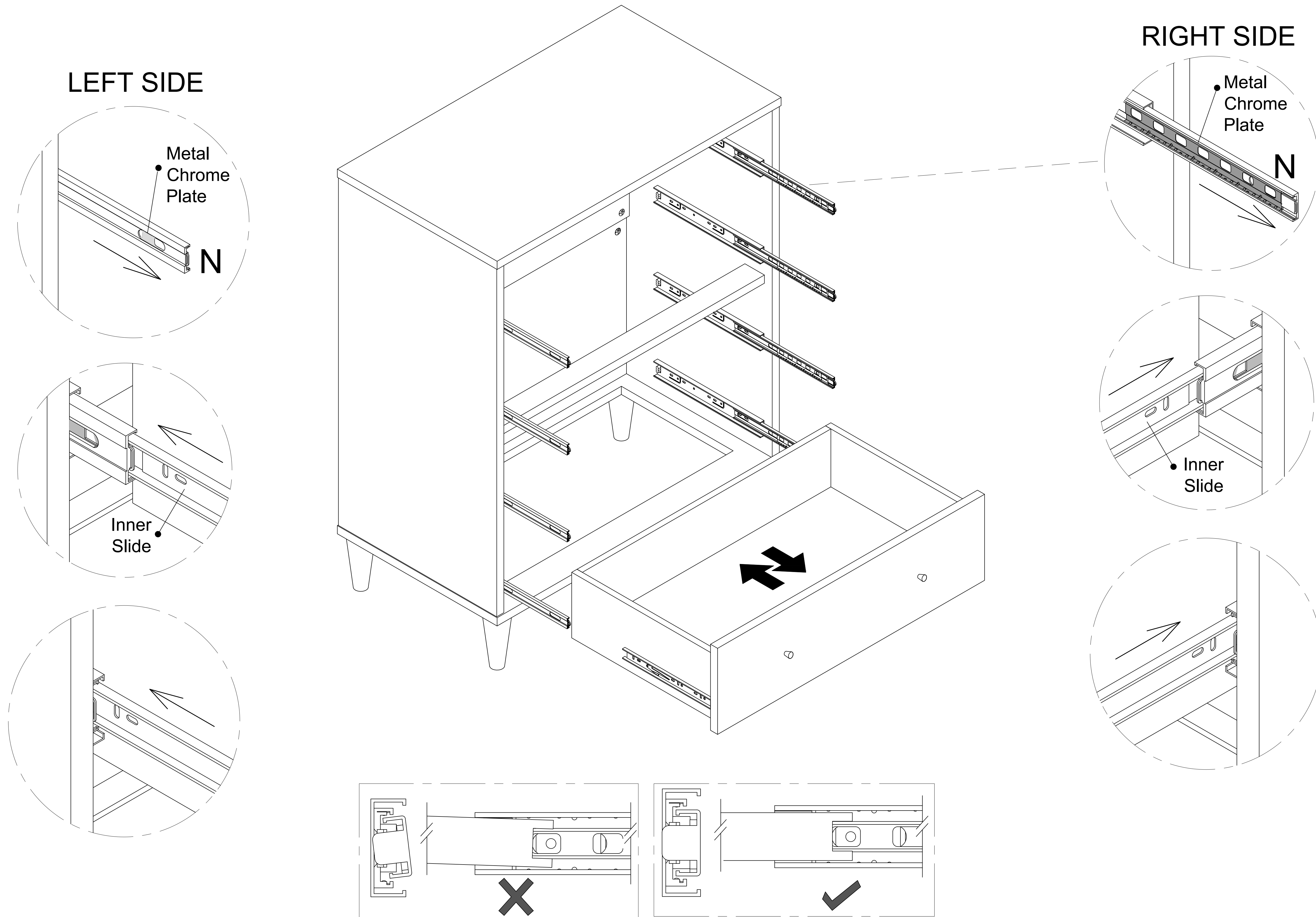


**13** Attach the Handle (O) to the Drawer Front (K) using Panhead Screw (W) with a screwdriver (not provided).

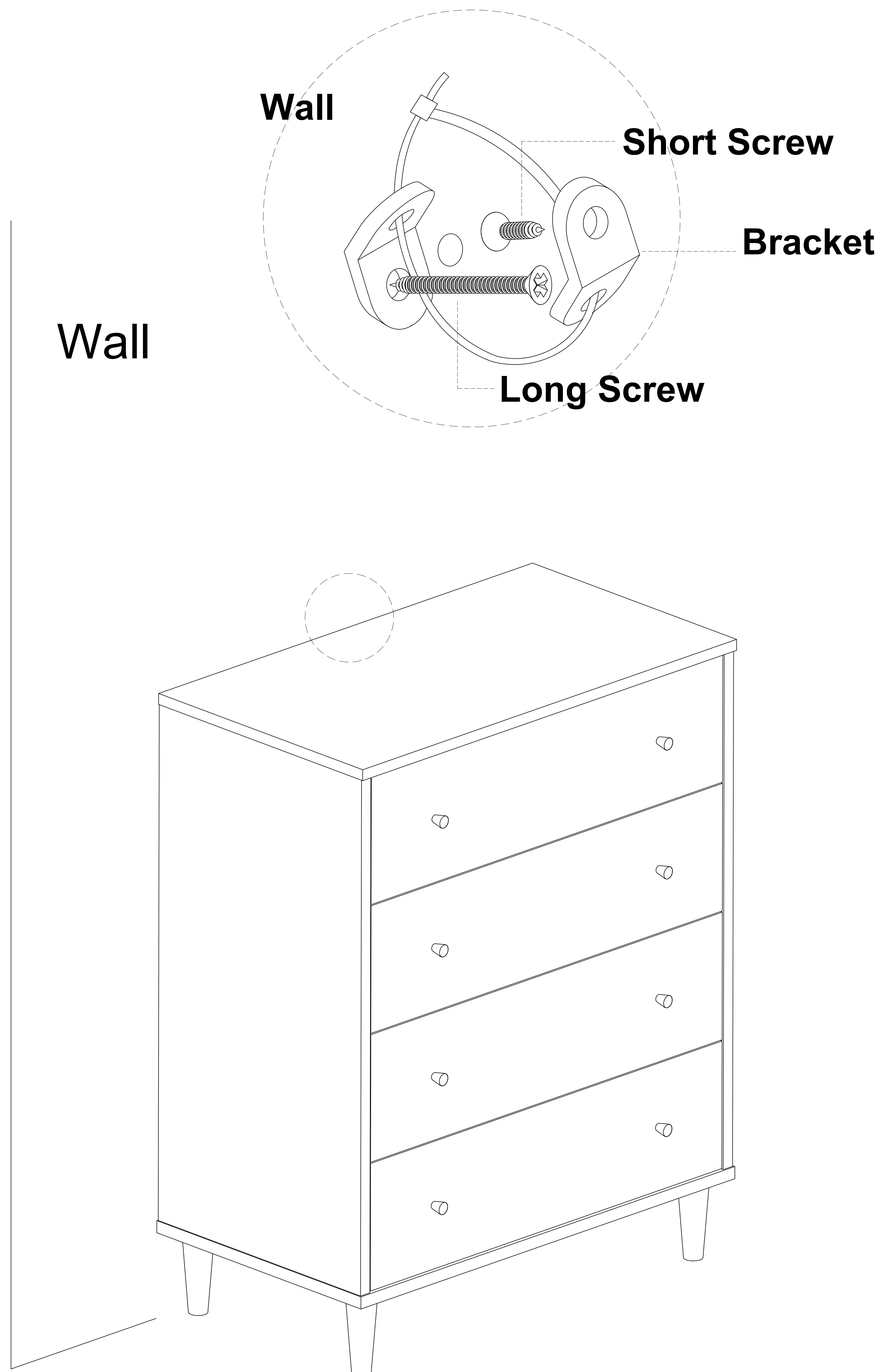




**14** Pull out the metal chrome plates from both sides of the Runner (N). Align the metal chrome plates with the slides on one drawer side, then repeat on the other side. If they are not aligned properly, remove and try again. Once both tracks are aligned properly, slowly push the drawer all the way in.



- 15** Attach the Anti-Tip Kit (X) to the wall. Mount the bracket vertically to wall using the long screw. Then, secure the bracket vertically to the furniture back below the top using the short screw. Place the bracket as close to the center of the furniture back as possible, considering the wall stud and desired position in the room. Move furniture to its final position. Thread the bracket and pull it tight.



### **Cleaning & Care**

Treat surfaces with care. Surfaces are resistant to scratches but are not scratch resistant. Clean surfaces with a dry or damp soft cloth. Do not use abrasive cleaners. Hardware may loosen over time. Periodically check that all connections are tight.