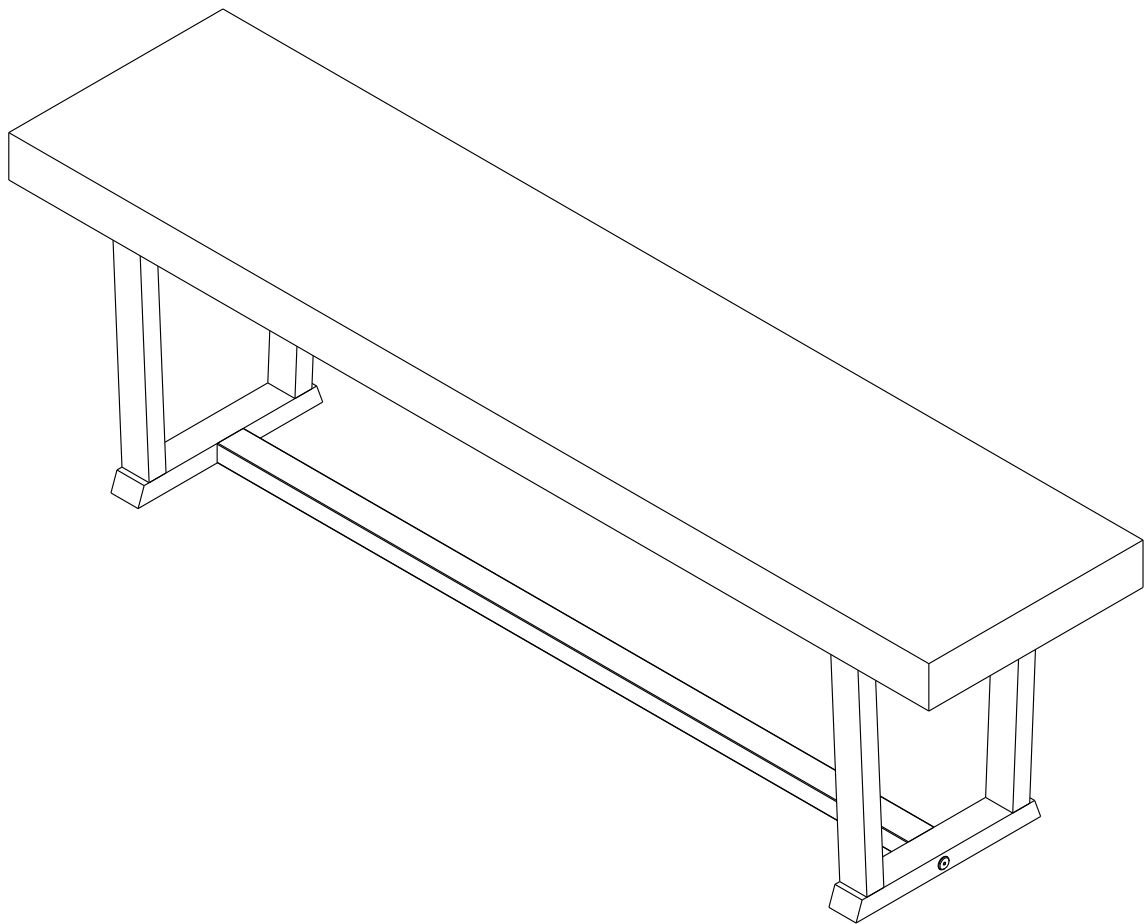


Item #: B60SWD

Assembly Instructions

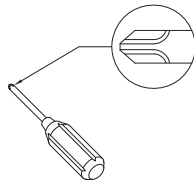


Please visit our website for the most current instructions, assembly tips, to report damage or request parts. www.walkeredison.com

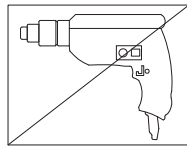
Revised 08/2018

General Assembly Guidelines

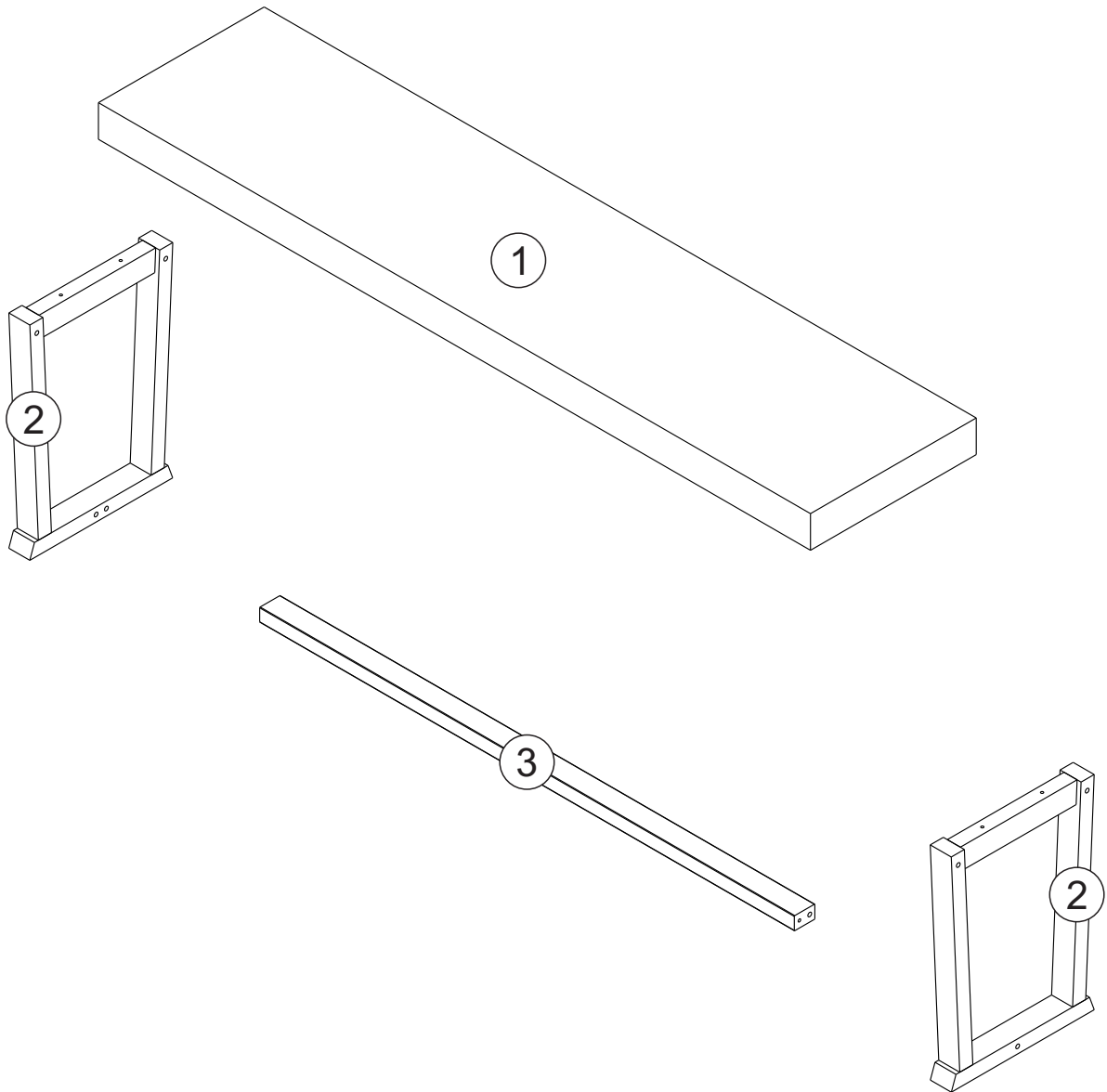
- I. Ensure that all parts and hardware are available before beginning assembly.
- II. Follow each step carefully to ensure the proper assembly of this product.
- III. Two people are recommended for ease in the assembly of this product.
- IV. The three main types of hardware used to assemble this product are : wood dowels , screws and bolts.
- V. A Phillips head screwdriver is required for the assembly of this product .



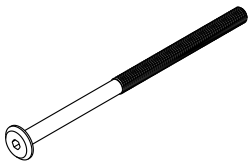
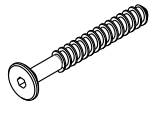
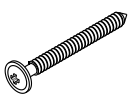
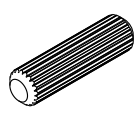

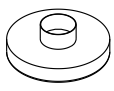
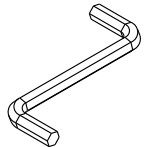
- VI. Power tools should not be used to assemble this product .

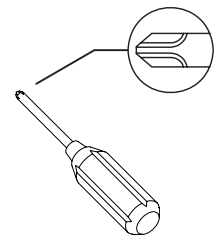
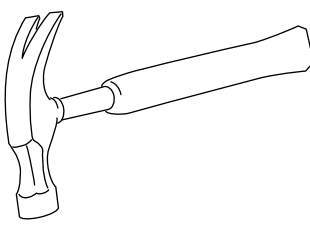


Parts List



Hardware List

A		Ø 1/4x80mm	Bolt	04 pcs
B		Ø 7x80mm	Bolt	02 pcs
C		Ø 4x35 mm	Screw	04 pcs
D		Ø8x30 mm	Wood dowel	02 pcs
E		Ø 1/4"	Barrel nut	04 pcs
F			Plastic foot	04 pcs
G		M4	Hex key	01 pcs



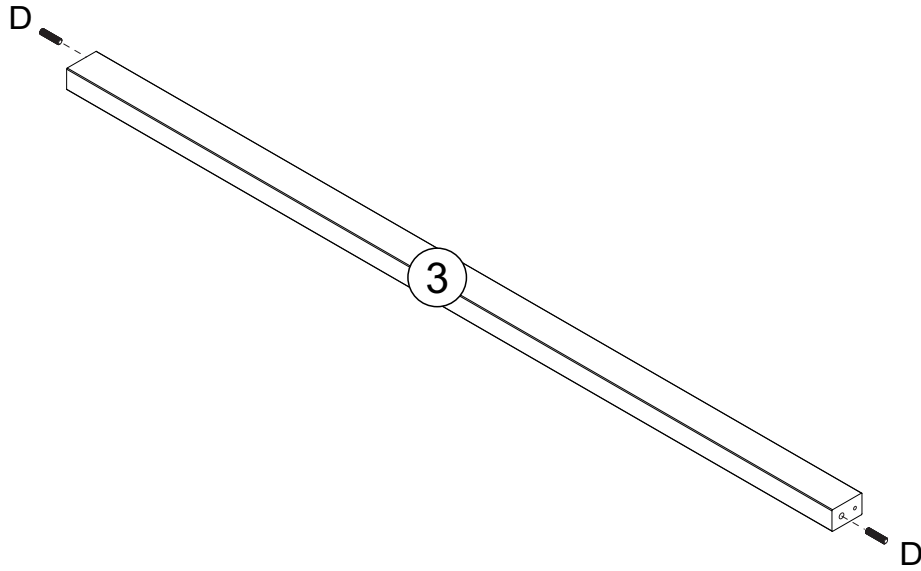
Philips head screwdriver required for assembly
(not included)

Mallet or hammer recommended for assembly
(not included)

*The hardware quantities listed above are required for proper assembly.
Some extra hardware may also have been included.*

Step 1

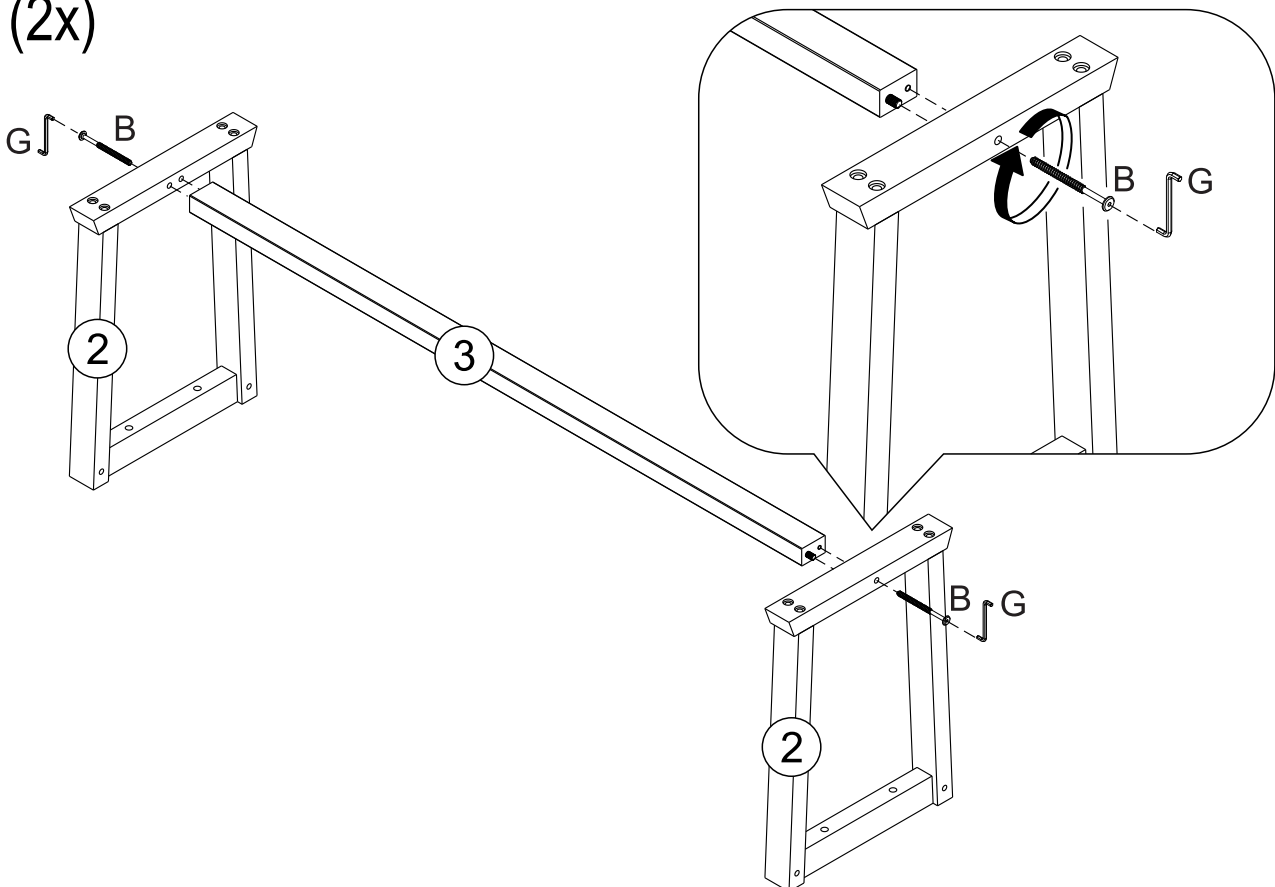
Insert wood dowel (D) into part (3).



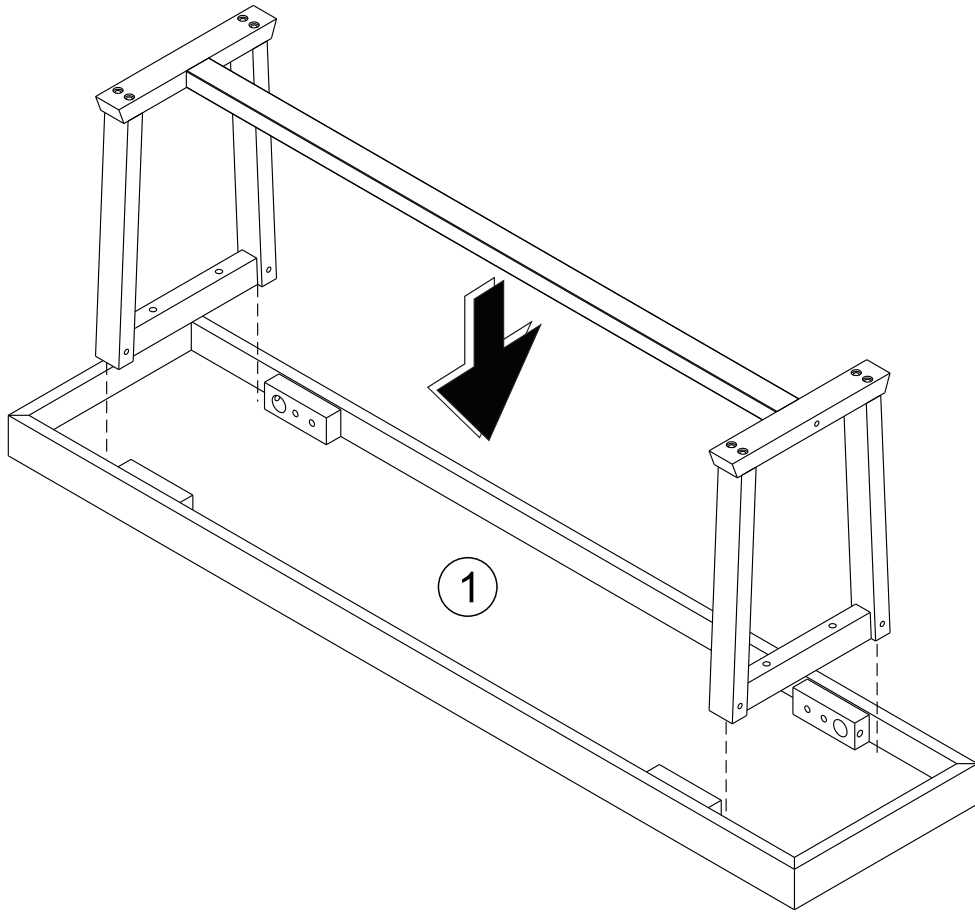
Step 2

Attach parts (2) to part (3) using bolt (B) and hex key (G).

(2x)

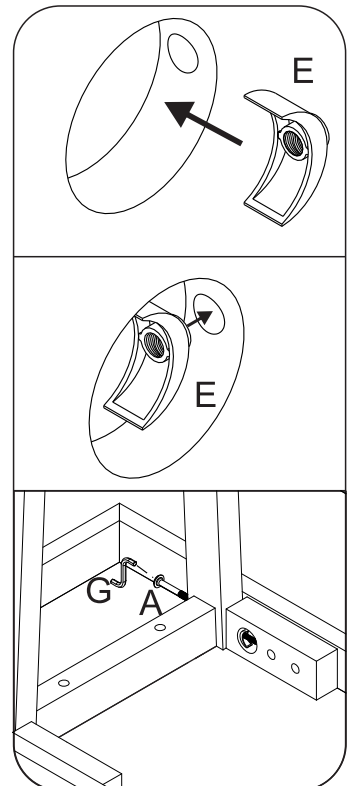
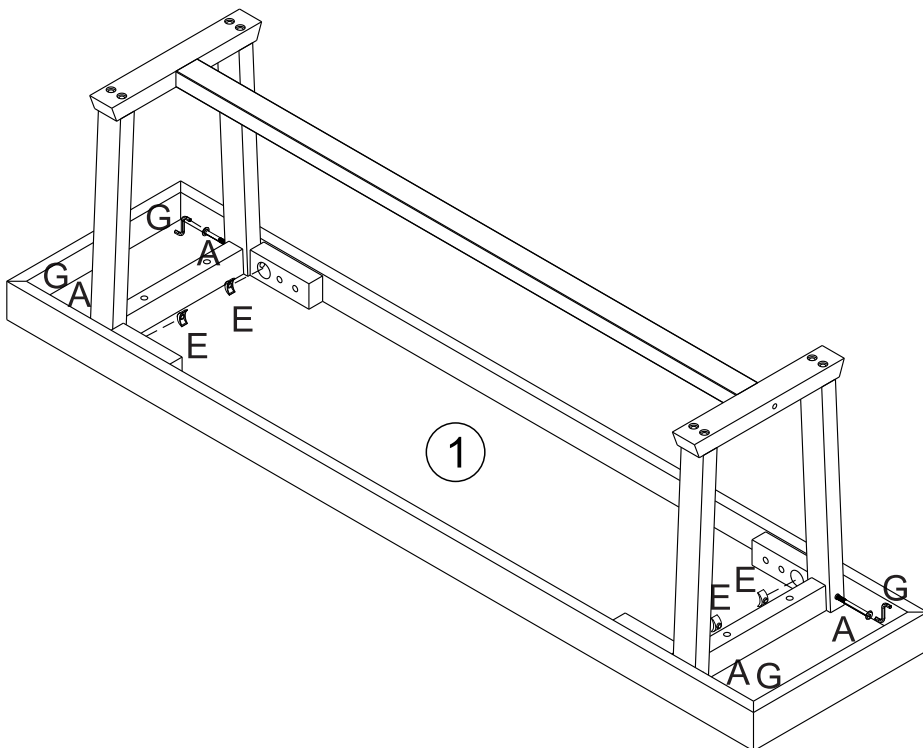


Step 3

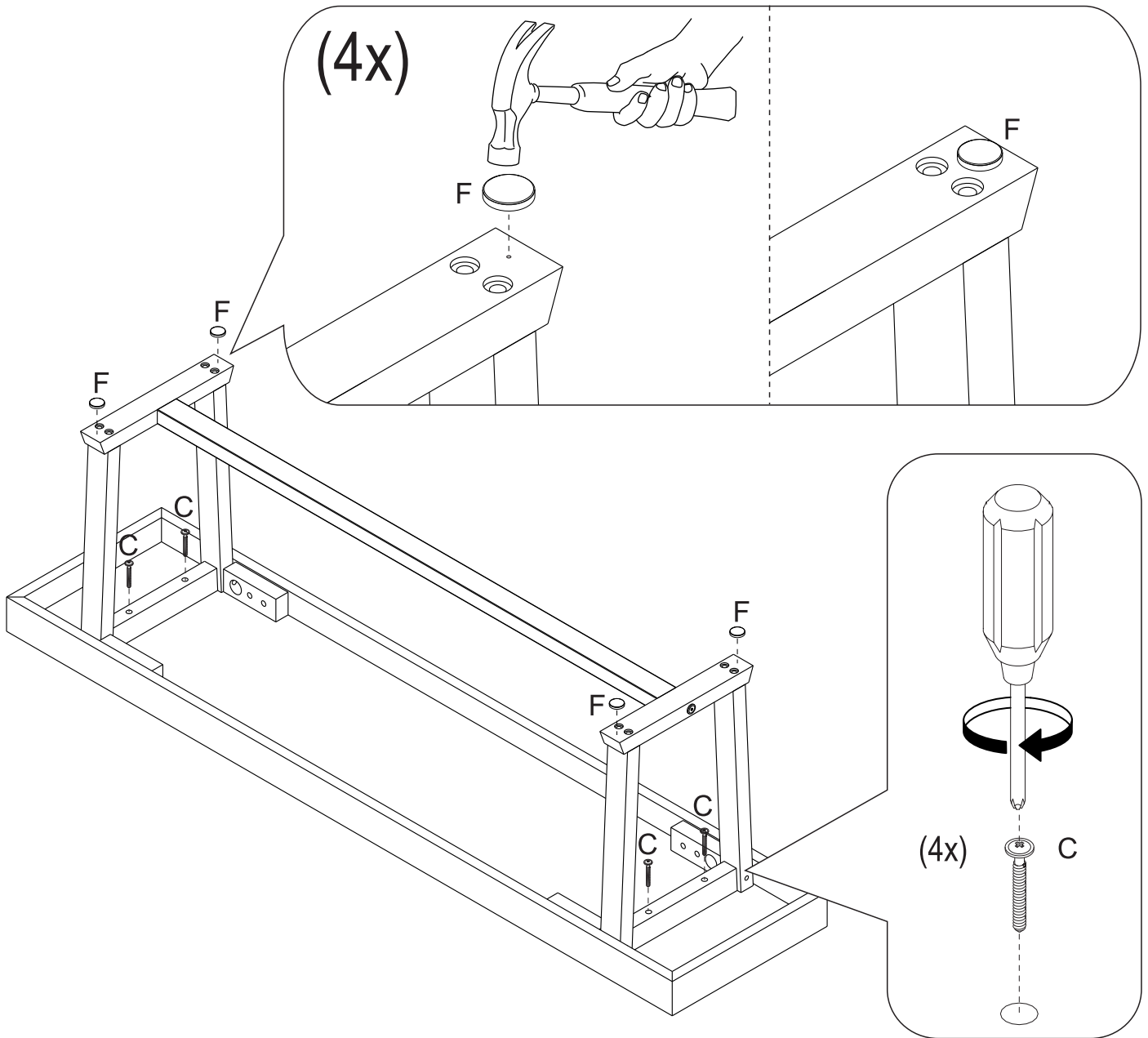


Step 4

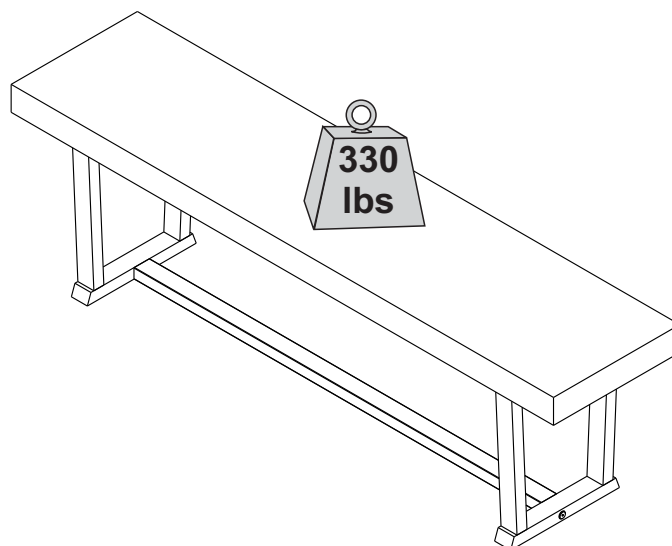
Attach part (1) using bolt (A) with barrel nut (E) and hex key (G).



Step 5 Attach screws (C) and plastic feet (F).



Step 6



Final Assembly.